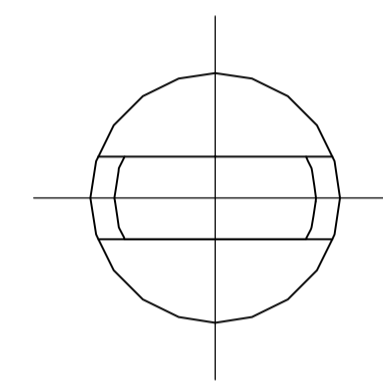
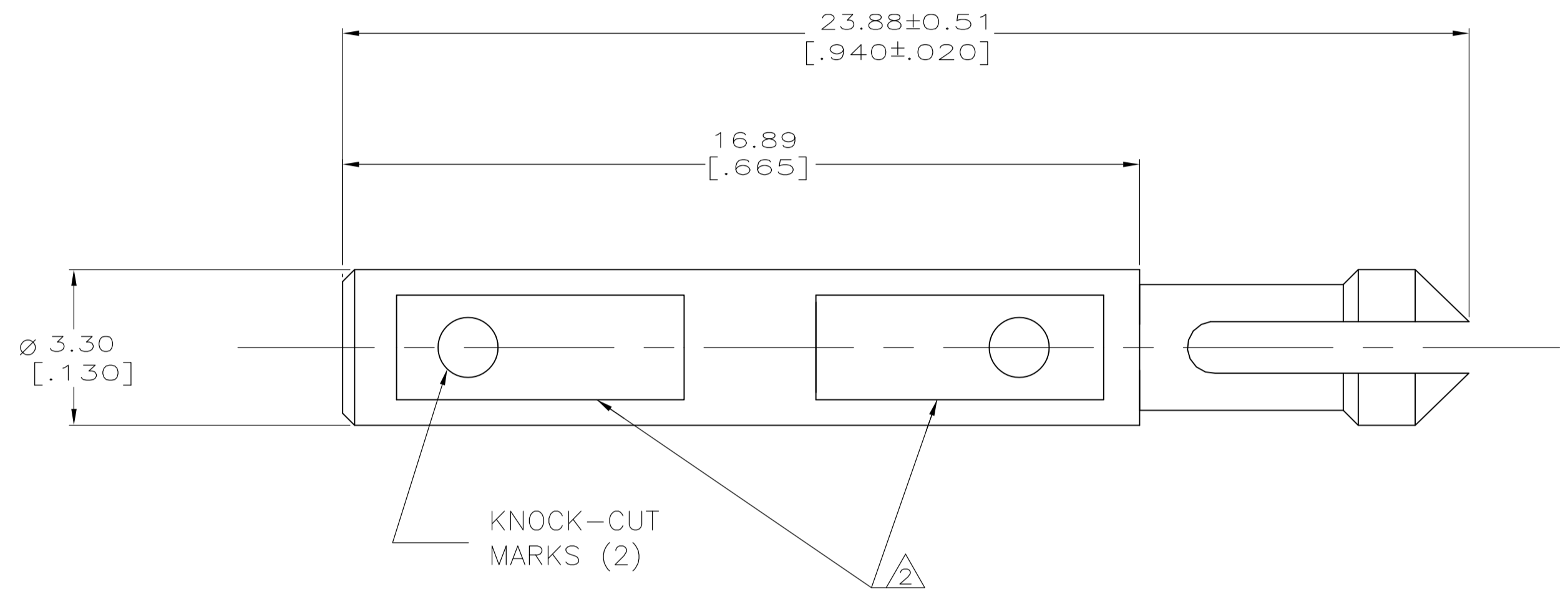
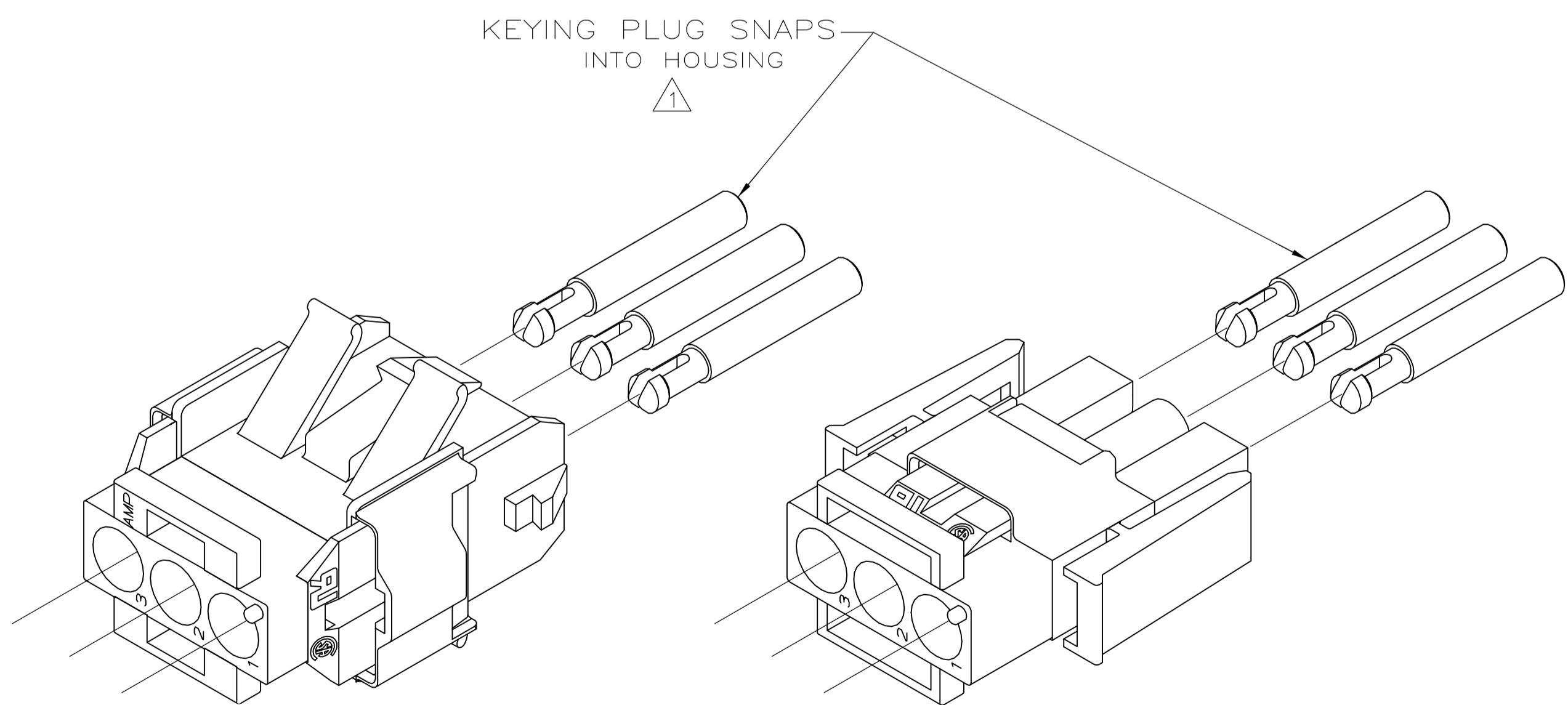


LOC		DIST		REVISIONS			
P	LTR	DESCRIPTION	DATE	DWN	APVD		
D		REVISED PER ECR-11-002201	03FEB11	HMR	TM		



- 1 TO BE USED WITH UNIVERSAL MATE-N-LOK™ II PLUGS AND CAPS.
- 2 AMP LOGO EITHER LOCATION.
- 3 DIMENSIONS IN BRACKETS ARE IN INCHES.



APPLICATION DETAIL  
SCALE 2:1

770377-1  
PART NUMBER

THIS DRAWING IS A CONTROLLED DOCUMENT.		DIN K SALMON 6-18-92	Tyco Electronics Corporation Harrisburg, PA 17105-3608	
DIMENSIONS: mm [INCHES]		CHK R SWING 6-18-92	APVD M TRULL 6-24-92	
TOLERANCES UNLESS OTHERWISE SPECIFIED:		NAME		
0. PLC ± -	1. PLC ± -	KEYING PLUG, UNIVERSAL MATE-N-LOK™ II		
2. PLC ± -	3. PLC ± 0.13 [.005]	PRODUCT SPEC		
4. PLC ± -	ANGLES ± -	APPLICATION SPEC		
MATERIAL NYLON,UL94V-0	FINISH -	SIZE A1	CAGE CODE 00779	DRAWING NO. C=770377
CUSTOMER DRAWING		WEIGHT -	RESTRICTED TO -	SCALE 10:1 SHEET 1 OF 1 REV D