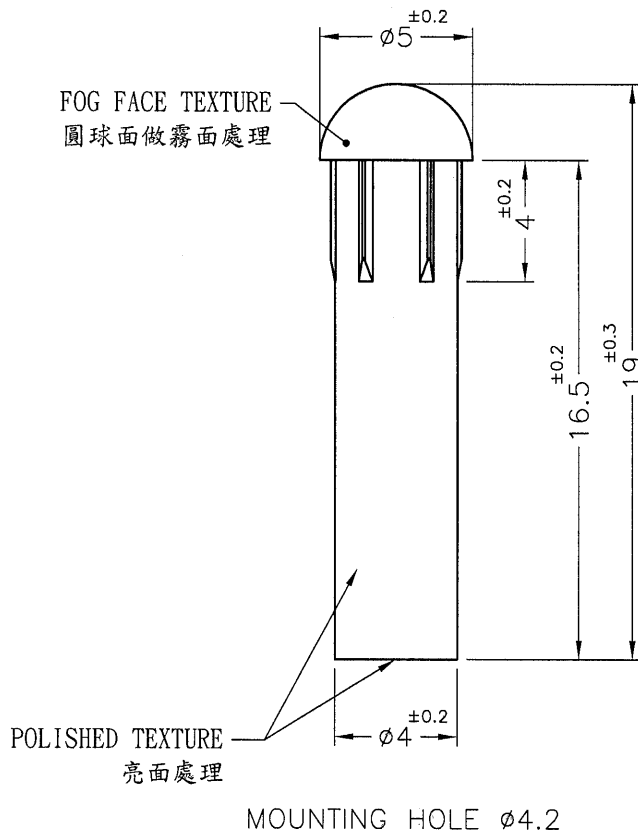
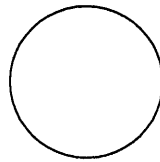

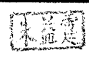



REVISIONS			
REV	DESCRIPTION	DATE	BY



NOTE:MADE OF EQUIVALENT MATERIAL.  
 均可使用同等材質

 <p>           康揚企業股份有限公司            KANG YANG HARDWARE ENTERPRISE CO., LTD.            康揚塑膠(東莞)有限公司            KANG YANG PLASTIC(DONG GUAN) CO., LTD.            康哲電腦配件(吳江)有限公司            KANG CHE COMPUTER COMPONENTS(WUJIANG) CO., LTD.         </p>				TITLE	LED LIGHT PIPE	SPEC. DWG.	
				MATERIAL	PC UL94V-2	DATE	2016.06.13
				FINISH		DRAWN	C.S.L
				COLOR	TRANSPARENT	CHECK	
PART NUMBER	LEM-53-16.5	DRAWING NUMBER	LEM-53-16.5	UNLESS OTHERWISE SPECIFIED TOLERANCE	SEE ABOVE	APPROVED	
SIZE	A4	SCALE	4:1	UNIT	mm	REV	A