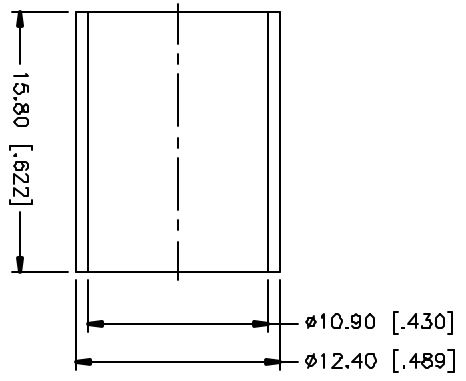
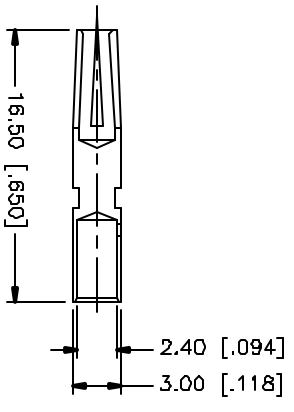
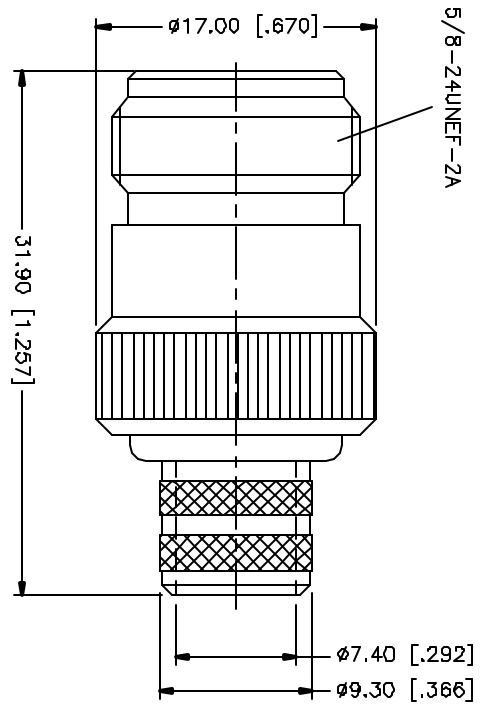
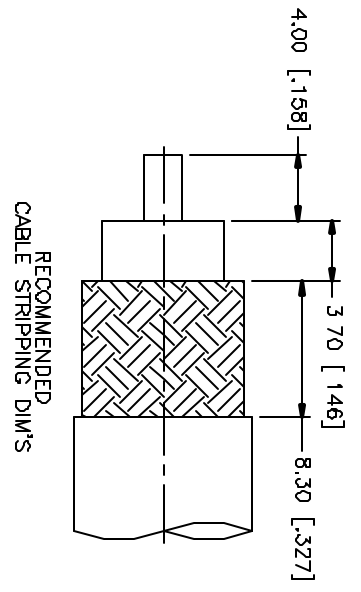


REV.	DATE	DESCRIPTION
A	09/07/04	UPDATE DRAWING FORMAT / MODIFY CONTACT PIN



NOTE:
 1. CRIMPED FERRULE
 HEX CRIMP SIZE .429"
 2. CRIMPED CONTACT PIN
 HEX CRIMP SIZE .100"

REV.	DATE	DESCRIPTION
8		
7		
6		
5		
4		
3		
2		
1		

DESCRIPTION	MATERIAL	FINISH	QTY
FERRULE	BRASS	NICKEL	1
CONTACT PIN	PHOS BRONZE	GOLD	1
INSULATOR	TEFLON	NATURAL	1
BODY	BRASS	NICKEL	1
DESCRIPTION	MATERIAL	FINISH	QTY

UNLESS OTHERWISE SPECIFIED DIMENSIONS ARE IN INCHES AND DECIMAL DIMENSIONS ARE IN MILLIMETERS AND USE DECIMAL EQUIVALENTS ONLY
 UNLESS OTHERWISE SPECIFIED DIMENSIONS FOR MILLIMETERS ARE
 0.5 - 8mm ± 0.020mm
 8 - 30mm ± 0.040mm
 30 - 120mm ± 0.050mm
 UNLESS OTHERWISE SPECIFIED DIMENSIONS FOR INCHES ARE
 .020 - .315 = ± 0.0007"
 .315 - 1.180 = ± 0.014"
 1.180 - 4.724 = ± 0.020"

DD NOT SCALE DRAWINGS

APPROVALS	DATE
DRAWN G.R.S.	09/07/04
CHECKED	
ISSUED	
SHEET 1 OF 1	

CAD FILE C:/172/172105.DWG

DWG. NO. 172105.DWG REV A SIZE A SCALE NA

Amphenol Connex

N STRAIGHT CRIMP JACK
(FOR RG-8/U CABLE)
172105