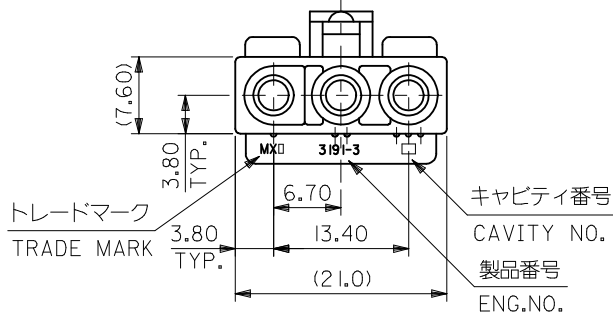


注)  
NOTE.  
1. ( ) 内寸法は参考  
(DIMENSIONS IN ( ) ARE REFERENCE)



39-03-6035	3191-03R1-201	NYLON66	94V-0
39-03-6034	3191-03R1	NYLON66	94V-2
POLYBAG PACKAGE	モデル番号 MODEL No.	材質 MATERIAL	UL
オーダー番号 ORDER NO.			

<b>REDRAWN</b> EC NO.: J2013-0829 DRWN:SSATO02 2013/01/31 CHKD:KASAKAWA 2013/01/31 APPR:YOITO 2013/04/16	GENERAL TOLERANCES (UNLESS SPECIFIED)		DIMENSION STYLE	SCALE	DESIGN UNITS	THIRD ANGLE PROJECTION
			MM ONLY	2:1	METRIC	
	10 UNDER	± ---	DRAWN BY	DATE	TITLE	
	10 OVER 30 UNDER	± ---	SSAT002	2013/01/31	3 CKT.REC HSG (.093 DIA TERM)	
30 OVER	± ---	CHECKED BY	DATE			
		KASAKAWA	2013/01/31			
		APPROVED BY	DATE			
		YOITO	2013/04/16			
	ANGULAR ±3 °	MATERIAL NO.		DOCUMENT NO.	SHEET NO.	
	DRAFT WHERE APPLICABLE MUST REMAIN WITHIN DIMENSIONS	SEE CHART		SD-3191-012	1 OF 1	
		SIZE	THIS DRAWING CONTAINS INFORMATION THAT IS PROPRIETARY TO MOLEX INCORPORATED AND SHOULD NOT BE USED WITHOUT WRITTEN PERMISSION			
		A3				