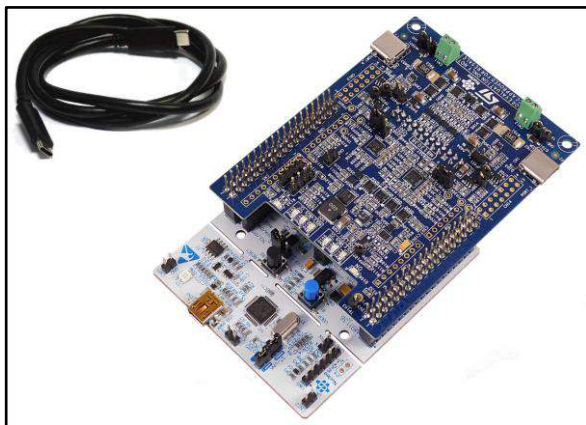

USB Type-C™ and Power Delivery™ Nucleo pack with NUCLEO-F072RB expansion board based on STUSB1602

Data brief

**Features**

- 32-bit ARM® Cortex®-M0-based microcontroller STM32F072RB with 128 kB Flash and 16 kB SRAM
- Dual ports solution based on Certified USB Type-C™ port controller STUSB1602, featuring:
 - Type-C FSM with attach/detach and cable orientation detection
 - USB PD PHY and BMC transceiver
 - High voltage (20 V) technology
 - V_{BUS} voltage monitoring
 - 600 mA V_{CONN} power switch
 - V_{BUS} & V_{CONN} discharge paths
 - Dead-battery support
 - 22 V CC lines protection
 - V_{BUS} switch gate drivers
- Power connector to interface with external power supply (not included)
- USB 2.0 full speed data communication interface
- RoHS compliant

Specifications

- USB type-C™ cable and connector spec. (rev 1.2)
- USB Power Delivery spec. (rev 2.0)

Description

The STM32 Nucleo pack is designed for USB Type-C™ and Power Delivery specifications. Used with the embedded X-CUBE-USB-PD certified software, the P-NUCLEO-USB002 represents a development tool enabling fast prototyping of USB PD applications leveraging ready-to-use ST componentry and software.

The P-NUCLEO-USB002 kit is designed to exploit the performance of the STM32F072 32-bit microcontroller based on ARM® Cortex®-M0 and two STUSB1602 USB Type-C™ port controllers, for developing applications that manage up to two USB Type-C™ ports.

The STUSB1602 is a Type-C™ controller designed with 20-V technology that integrates a fully-featured USB type-C state machine and a USB PD PHY + BMC driver. This analog front end features: Type-C™ attach and cable orientation detection; Source / Sink / DRP power role configuration; Integrated V_{CONN} power switch; Integrated V_{BUS} & V_{CONN} discharge path; High voltage protection (including CC pins); V_{BUS} switch gate drivers.

The P-NUCLEO-USB002 is fully configurable and ready to support different power roles like provider, consumer or DRP.

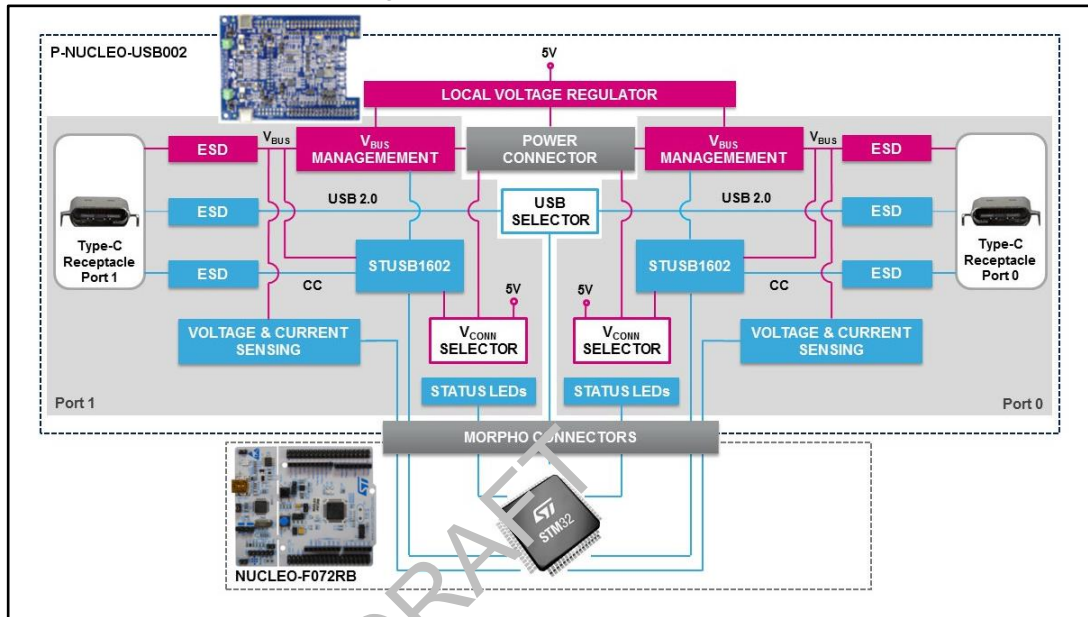
The X-CUBE-USB-PD is compliant with the USB Type-C™ 1.2 and USB Power Delivery 2.0 specifications.

1 P-NUCLEO-USB002 - System architecture

The USB Type-C™ and Power Delivery kit is composed of:

1. The NUCLEO-F072RB development board that acts as the control board where the X-CUBE-USB-PD software is running
2. Power Delivery expansion board with two embedded STUSB1602 Type-C™ controllers
3. A USB Type-C fully-featured and certified cable

Figure 1: P-NUCLEO-USB002 kit



The Power Delivery expansion board is equipped with:

- Two DRP USB Type-C™ ports managed by two STUSB1602 Type-C™ port controllers
- Optional V_{BUS} current sensing (and discrete voltage monitoring)
- Dedicated power connector to interface with an external power supply (not included in the kit) to provide different profiles as well as V_{CONN} (5 V) if necessary
- On-board power management able to supply internal voltages
- Six status LEDs for the USB-PD ports and a user LED
- USB 2.0 interface available on both Type-C™ ports
- RoHS compliant
- PCB type and size:
 - material: FR4
 - four-layer
 - copper thickness: 35 μm
 - total expansion board dimensions: 74 mm x 98 mm



The USB 2.0 peripheral can be alternatively mapped on both ports or in pass-through configuration.

The NUCLEO-F072RB development board includes:

- An STM32F072RBT6 32-bit microcontroller based on the ARM Cortex-M0 with 128 kB Flash memory, 16 kB of SRAM, USB 2.0 full speed data interface in LQFP64 package
- Two types of extension resources:
 - Arduino Uno Revision 3 connectivity
 - ST morpho extension pin headers for full access to all STM32 I/Os
- On-board ST-LINK/V2-1 debugger/programmer with SWD connector:
 - selection-mode switch to use the kit as a standalone ST-LINK/V2-1
- Flexible board power supply:
 - USB V_{BUS} on Type-B connector or external source
 - Power management access point
- Three LEDs:
 - USB communication (LD1), user LED (LD2) and power LED (LD3)
- Two push buttons: USER and RESET
- USB re-enumeration capability: three different interfaces supported on USB
 - Virtual Com port (the NUCLEO-F072RB in the kit has a different solder bridge configuration to the standalone board)
 - Mass storage
 - Debug port
- Supported by a wide range of integrated development environments (IDEs), including IAR™, Keil® and GCC

DRAFT

2 Revision history

Table 1: Document revision history

Date	Version	Changes
03-May-2017	1	Initial release.

DRAFT

IMPORTANT NOTICE – PLEASE READ CAREFULLY

STMicroelectronics NV and its subsidiaries ("ST") reserve the right to make changes, corrections, enhancements, modifications, and improvements to ST products and/or to this document at any time without notice. Purchasers should obtain the latest relevant information on ST products before placing orders. ST products are sold pursuant to ST's terms and conditions of sale in place at the time of order acknowledgement.

Purchasers are solely responsible for the choice, selection, and use of ST products and ST assumes no liability for application assistance or the design of Purchasers' products.

No license, express or implied, to any intellectual property right is granted by ST herein.

Resale of ST products with provisions different from the information set forth herein shall void any warranty granted by ST for such product.

ST and the ST logo are trademarks of ST. All other product or service names are the property of their respective owners.

Information in this document supersedes and replaces information previously supplied in any prior versions of this document.

© 2017 STMicroelectronics – All rights reserved

DRAFT