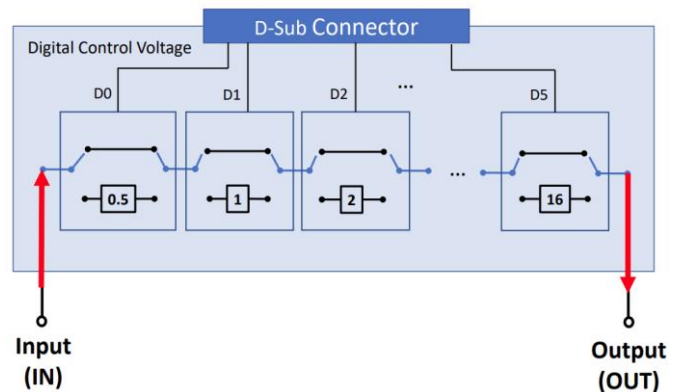




RoHS Compliant



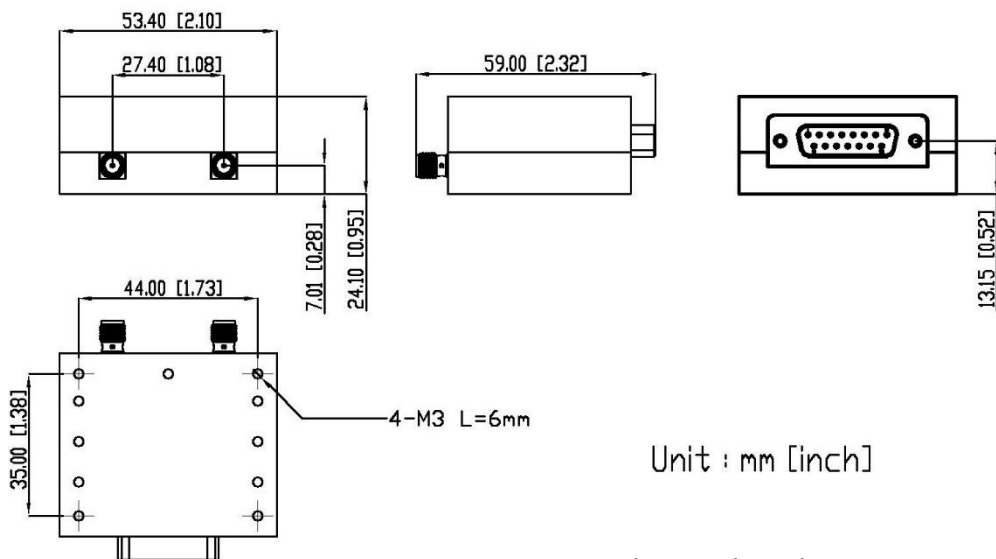
Electrical Schematic

Electrical Specifications

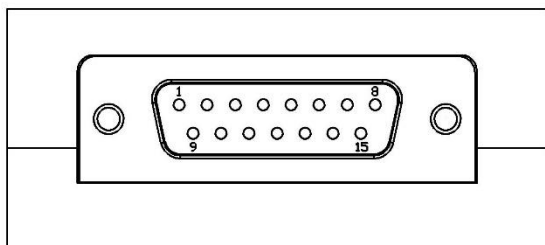
Parameter	Unit	Frequency (MHz)	Conditions	Min.	Typ.	Max.	
Attenuation Range	dB	15 - 18000		0		31.5	
Step	dB					0.5	
Insertion Loss	dB			@ 0 dB Atn.		4.6	4.8
Attenuation Accuracy	dB			@ 0.5 dB Atn.		±0.15	±0.18
				@ 1, 2, 4 dB Atn.		±0.18	±0.20
				@ 8, 16 dB Atn.		±0.36	±0.42
				@ 31.5 dB Atn.		±1.07	±1.17
Input Operating Power (RF In and RF Out ports)	dBm						27
IP3 Input	dBm					48	
VSWR	:1		@ 0 dB Atn.	Input		2.04	2.10
				Output		2.05	
Switching Speed	us			10% to 90% RF Output		1.3	
				50% Control to 90% RF Output		3.24	
Supply Voltage Range (V _{DD})	V				3.15		3.45
Control Voltage Threshold	V			Low	-0.3		0.3
			High	V _{DD} -0.3		V _{DD} +0.3	
Digital Control Voltage Range	V			0		V _{DD} +0.3	
Supply Current (I _{DD})	mA				0.3		

Operated in 50Ω system, 25°C environment.

Outline Drawing



Connectors: SMA Female, D-Sub Male



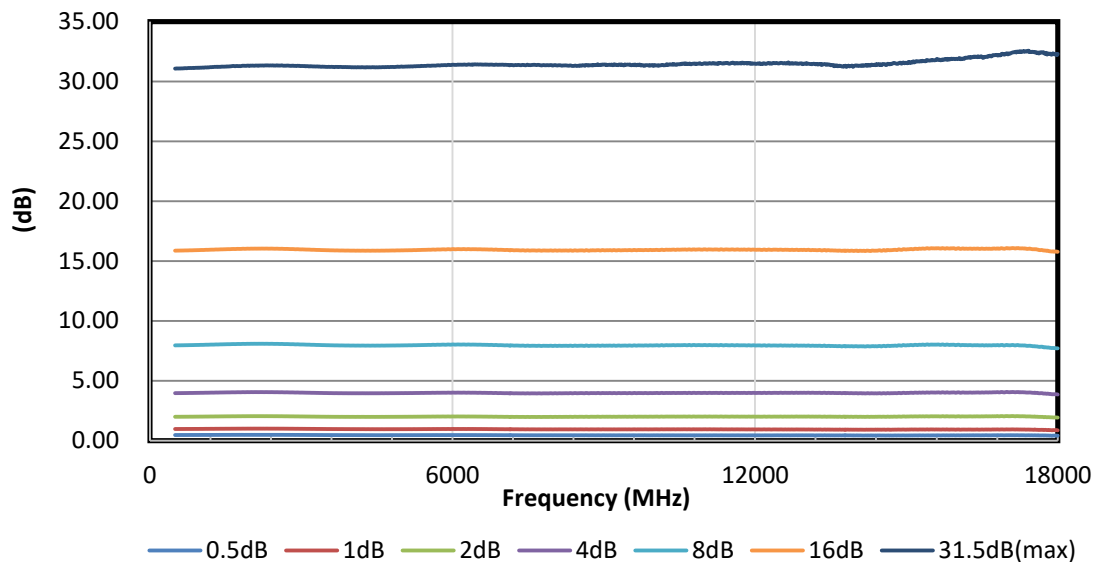
Pin Number Functions

No.	15	14	13	12	11
Func.	N/C	D5	D4	D3	D2
No.	10	9	8	7	6
Func.	D1	D0	V _{DD}	N/C	N/C
No.	5	4	3	2	1
Func.	N/C	PS(OV)	GND	N/C	N/C

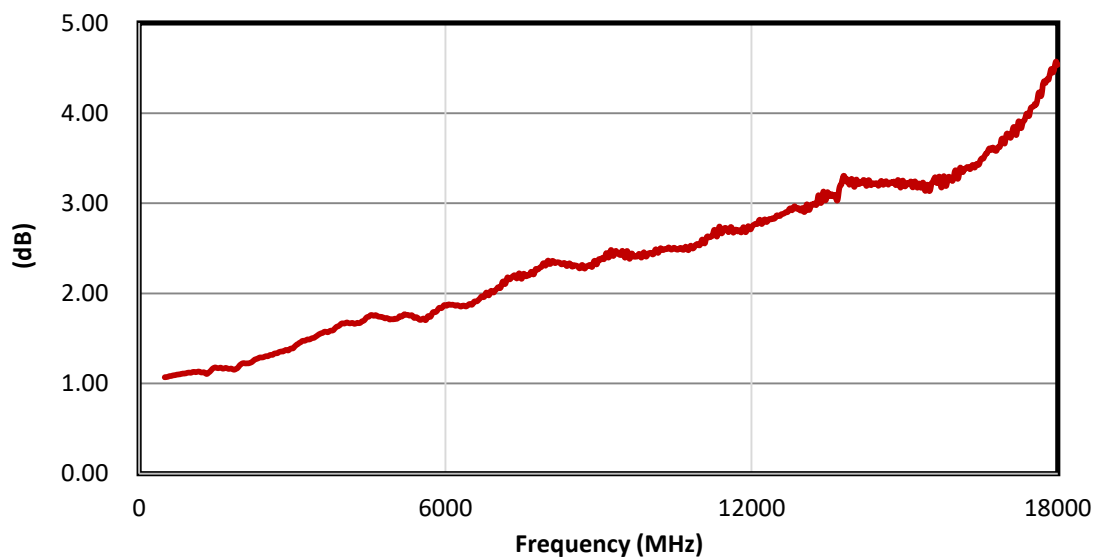
Digital Control Input						Attenuation State (dB)
D0	D1	D2	D3	D4	D5	
Low	Low	Low	Low	Low	Low	0 (reference)
High	Low	Low	Low	Low	Low	0.5
Low	High	Low	Low	Low	Low	1
Low	Low	High	Low	Low	Low	2
Low	Low	Low	High	Low	Low	4
Low	Low	Low	Low	High	Low	8
Low	Low	Low	Low	Low	High	16
High	High	High	High	High	High	31.5

Typical Performance

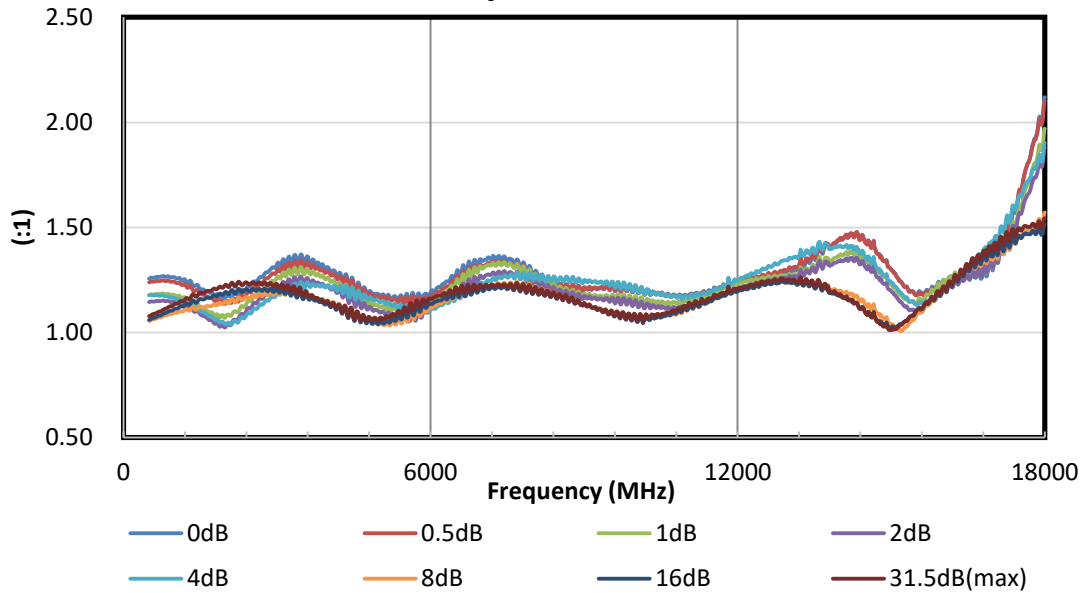
Attenuation Relative to Insertion Loss



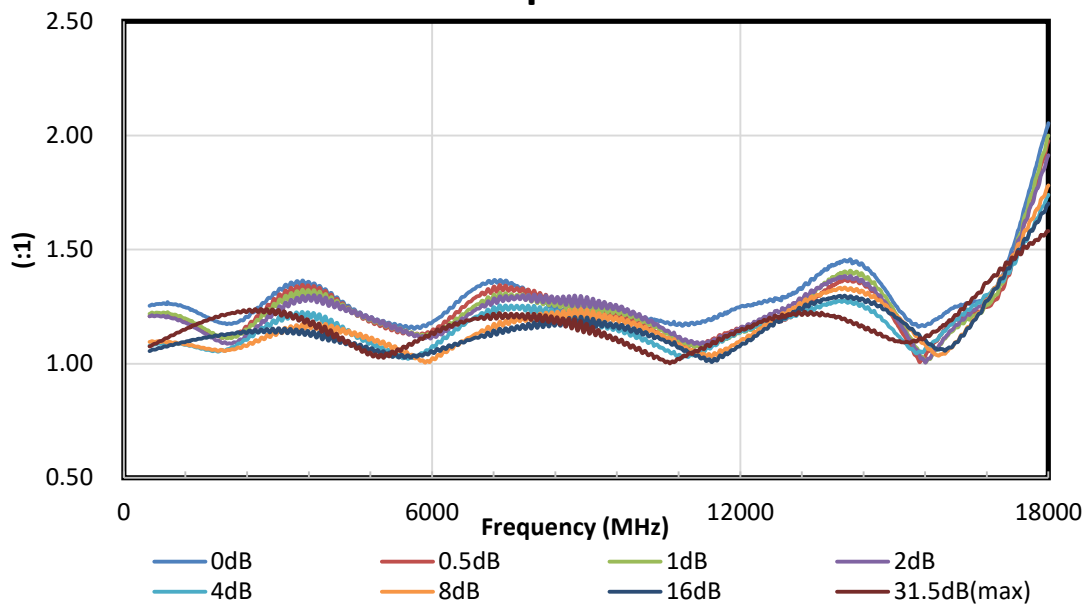
Insertion Loss

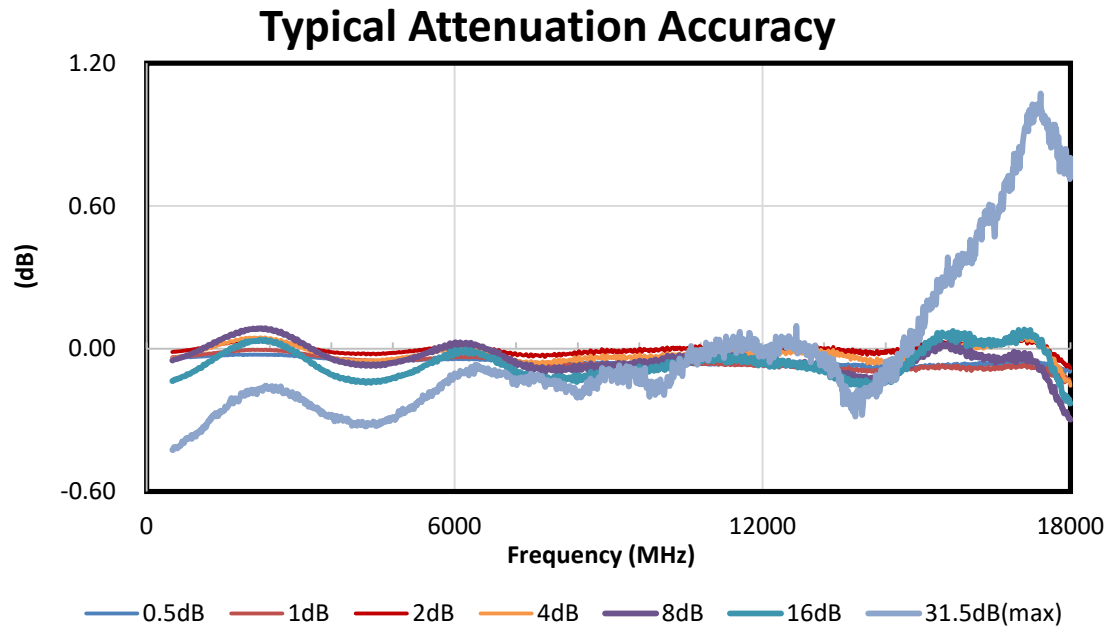


Input VSWR



Output VSWR





Typical performance S-parameter file: <https://www.amtery.com/en/goods-82>

For each S/N S-parameter file, go to <https://www.amtery.com/en/downloads>

Note: Specifications are subject to change without notice.