

PTEC™ Ionizers IN3425PE Ionizing Gun

Pin-Point, Proximity Sensing Ionization

Transforming Technologies' IN3425PE air ionizing nozzle is a highly efficient static eliminator with a proximity sensor that controls the air flow for easy hands free ionization. A small, self contained device, the IN3425PE produces a powerful stream of ionized air to neutralize charges while cleaning particulate from surfaces. Airflow is triggered when the sensor detects a nearby object so you can have ionization only when you need it. The unique size and shape allow the ionizer mounted in hard to reach areas, assembly lines and integrated into machines.

Ionization For Your Unique Application

The IN3425PE ionizer has optional nozzle tip attachments, that can handle unique and difficult point-of-use ionization applications. Spread ionized air in many ways such as wide angle, manifold, long range, angled, or with a flexible extension tube.

Ptec™ Stability

The IN3425PE uses a specialized piezoceramic technology that makes Ptec™ ionizers extremely reliable. The IN3425PE ionizing nozzle combines exceptionally fast static decay capability with excellent balance stability, all in a small footprint.

Applications:

The IN3425PE is designed to neutralize electrostatic charges in personal bench top environments, sensitive materials assembly, SMT, Electronics Assembly, Automotive Packaging, Cleanroom and Laboratory Environments.



Features

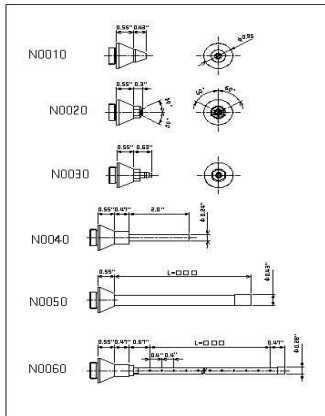
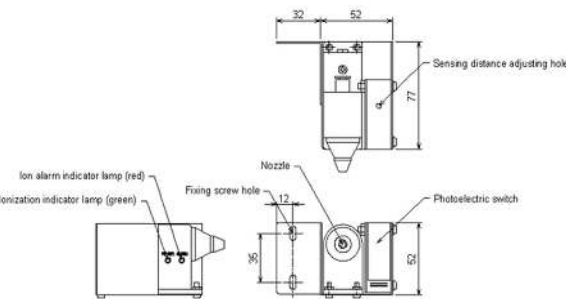
- Pin-Point Precision Ionization
- Proximity Sensing Eye Controls Power and Ionization
- Optional Nozzle Tips to Customize the Spread of Ionized Air.
- Small Footprint with Mountable Base
- Inherently Stable Ptec™ Technology
- Dense Output of High Frequency AC (68KHz) Ion Emission
-

This document is prepared for our customers as a service, and is to the best of our knowledge true and accurate. However, it is understood and agreed by the users of this document that we will accept no liability for the conclusions reached. Users of this document may therefore wish to perform additional testing before determining that products mentioned are suitable.

IN3425PE Ionizing Nozzle

Ionization Performance

Discharge Time (in seconds)	Pressure(kgf / cm2)	45	55	70	85
	Positive Decay Time (sec)	0.4	0.4	0.3	0.3
	Negative Decay Time (sec)	0.5	0.4	0.3	0.3
	Ion Balance (V)	Within 0±30V			
Test is done according to ANSI/ESD STM3.1					



Model IN3425PE Ptec™ Specifications

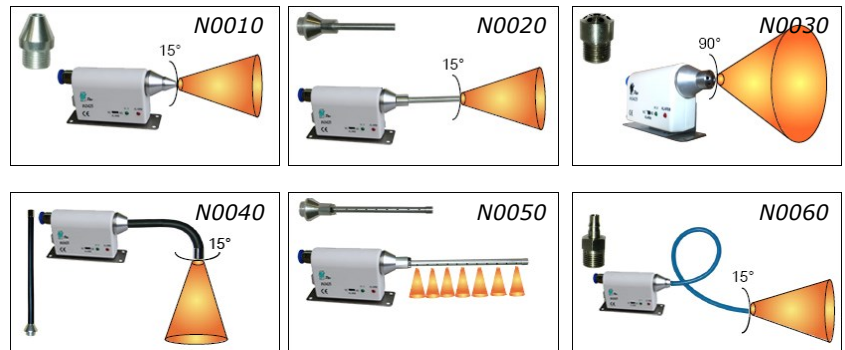
Power Supply Volt	AC 80V~240V 50/60Hz
Optional DC Power Unit	DC24V 200mA
Output HV	AC2200V
Safety Performance	Abnormal HV Alarm
Balance	±30 volts
Decay Time	1000V—100V,<2 seconds @ 6"
Air line Requirements	1/4" NPT
Max. Air Range	28—100 psi
Ozone Density	Less than 0.01 ppm
LED Indicators	Ionization: Green, Alarm: Red Controls Photoelectric Eye Distance: >35cm
Mounting	(4) four mounting holes
Emitter Points	Alloy Discharge Needle
Dimensions	2.0"H x 1"x 4.5" D, (5.0 x 2.6 x 10.3 cm) (with standard output nozzle)
Weight	1.0lbs, (.45kg)
Options	Various nozzle tips, (see selection chart)
Warranty	1-year limited warranty
Certifications	



Output Nozzle Options

The IN3425PE comes with the IN0010 standard nozzle tip. Wide angle, long range, bendable, luer lock or manifold tips may be substituted depending on the application.

- N0010: Standard 15°
- N0020: Wide Angle
- N0030: Luer Lock
- N0040: Long Range
- N0050: Bendable
- N0060: Manifold



About Transforming Technologies

Since 1998, Transforming Technologies has helped electronic manufacturing facilities to protect their products and processes from the many serious problems associated with static electricity.

Transforming Technologies offers a wide range of unique and outstanding products to detect, protect, eliminate and monitor electrostatic charges. Our products are integral components of an effective static control program.

