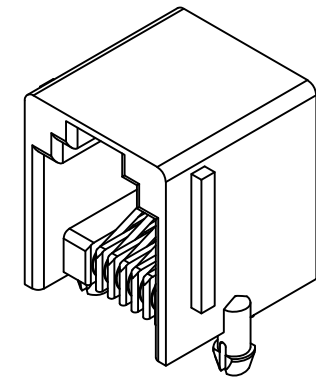
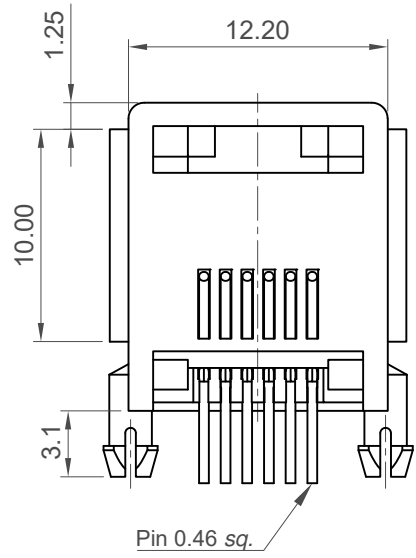


Section: A-A



Specifications

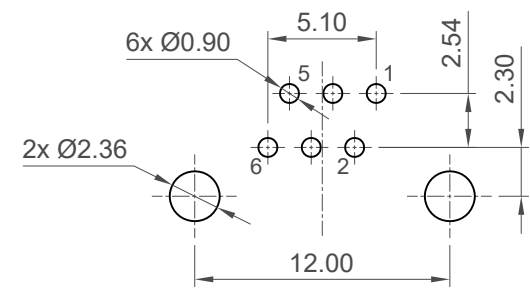
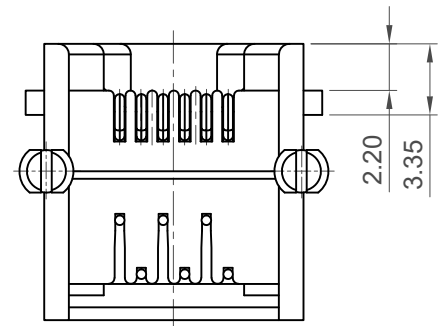
Material
 Insulator: PA66, UL 94V-0, Black
 Contact: Phosphor Bronze, $\varnothing=0.46\text{mm}$

Plating
 See Ordering Grid

Electrical
 Current Rating : 1.5 Amp
 Current Voltage : 125V AC RMS
 Contact Resistance : 20 m Ω max.
 Insulation Resistance: 1000 M Ω min. @500V DC
 Dielectric Withstand Voltage :
 1000V AC/DC Peak Between Terminal to Terminal

Mechanical & Environmental
 Storage Temperature : -40°C to +85°C,
 Relative Humidity <80%
 Operation Temperature : -40°C to +85°C
 Operating Life : 750 Cycles Min.
 Mating/Unmating Force: 30N Max.
 Retention Strength: 50N for 60s \pm 5s

Wave Soldering Temperature: 245°C \pm 5°C, 5s



Recommended PCB Layout
 Tolerance : $\pm 0.05\text{mm}$
 Thickness: 1.60mm

Ordering Grid

MJ3235 - **66** - **0** Request Samples and Quotation

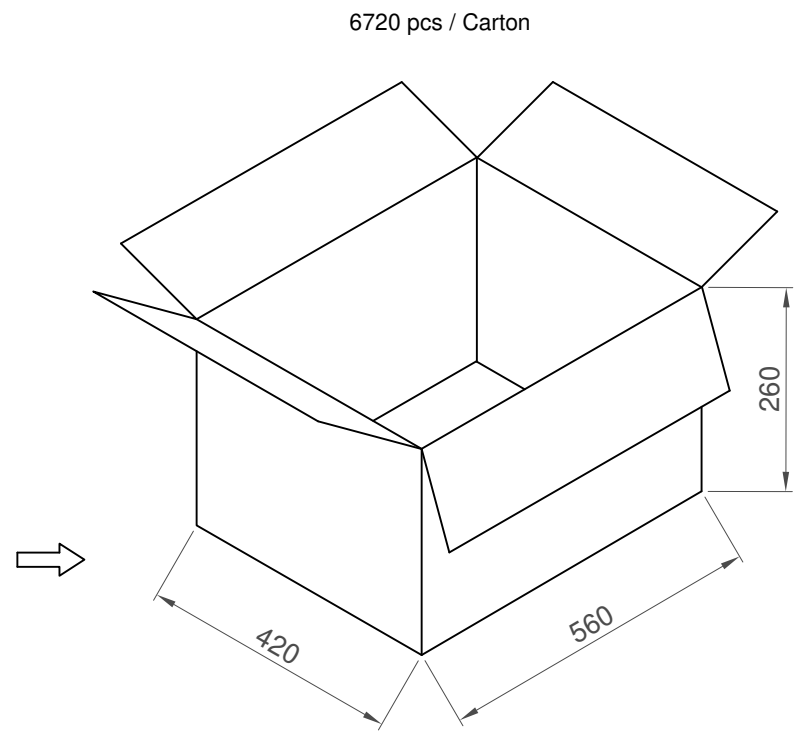
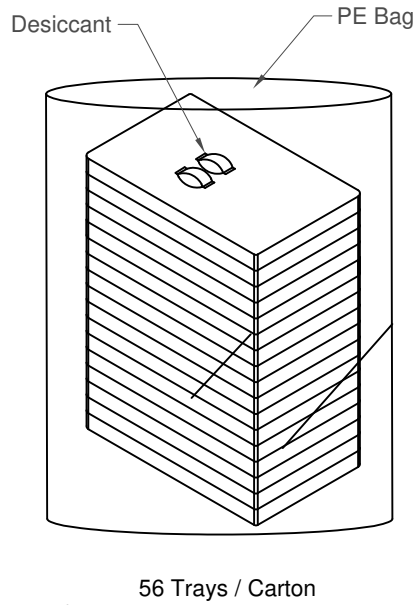
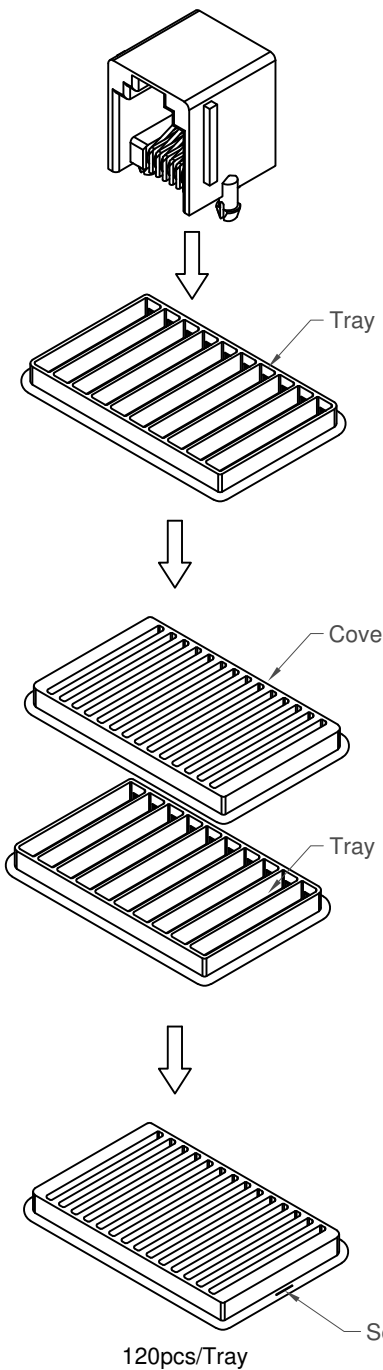
No. of Positions/
Positions Loaded
66 = 6/6

Contact Plating
0 = Gold Flash




Part Number		Product Description	
MJ3235-66		Modular Jack Connector, 6 Position, Right Angle, Through Hole, Inverted Latch	
Drawing Date		2nd April 2021	
By	CC	Tolerances (Except as Noted)	Units:
Detail	Drawing Release	Length	Metric (mm)
Revision	A	X.X \pm 0.25	 This drawing is confidential and copyright of Global Connector Technology, Ltd (GCT). This drawing must not be copied or disclosed without written consent. E & OE
Date	02/04/21	X.XX \pm 0.20	
		X.XXX \pm 0.10	 COMPLIANT 2011/65/EU

GCT
 www.gct.co

Not to Scale Drawn By CC Sheet No. 1/2



Pcs/Tray	Trays/Carton	Total Quantity
120	56	6720 pcs

Part Number		Product Description		 www.gct.co
MJ3235-66		Modular Jack Connector, 6 Position, Right Angle, Through Hole, Inverted Latch		
Drawing Date		2nd April 2021		
By	CC	Tolerances (Except as Noted)	Units:	  This drawing is confidential and copyright of Global Connector Technology, Ltd (GCT). This drawing must not be copied or disclosed without written consent. E & OE
Detail	Drawing Release	Length	Metric (mm)	
Revision	A	X.X ± 0.25	± 0.5°	
Date	02/04/21	X.XX ± 0.20	3rd Angle Projection	
		X.XXX ± 0.10		Not to Scale Drawn By CC Sheet No. 2/2