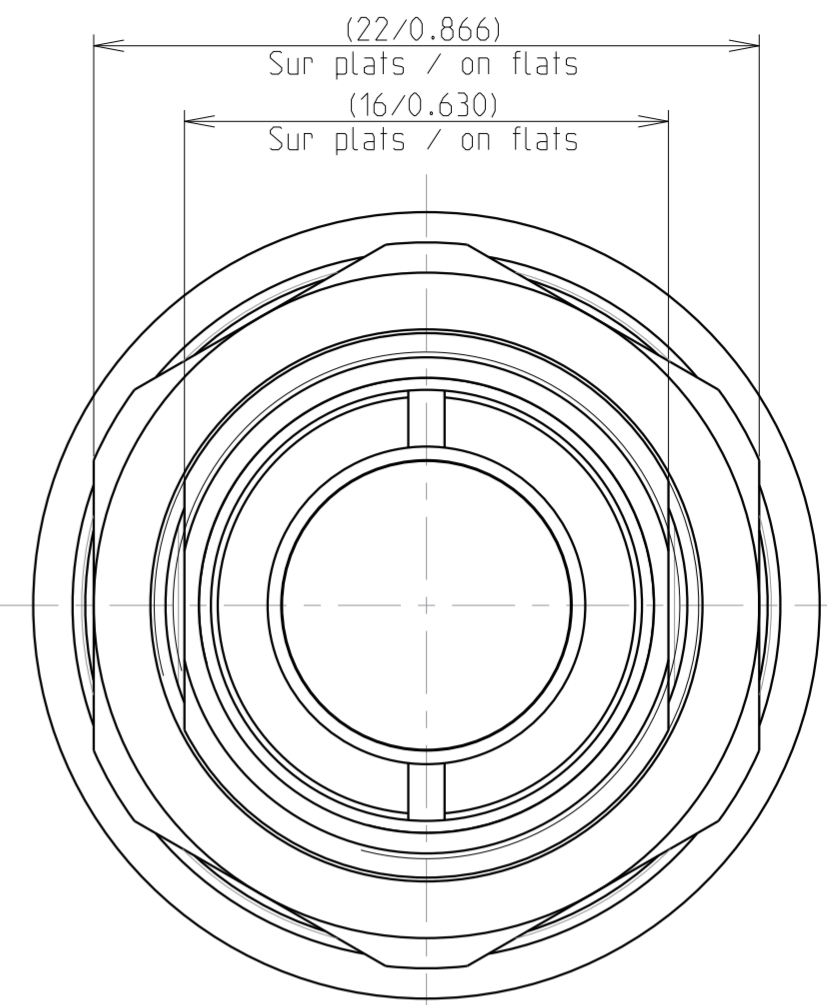
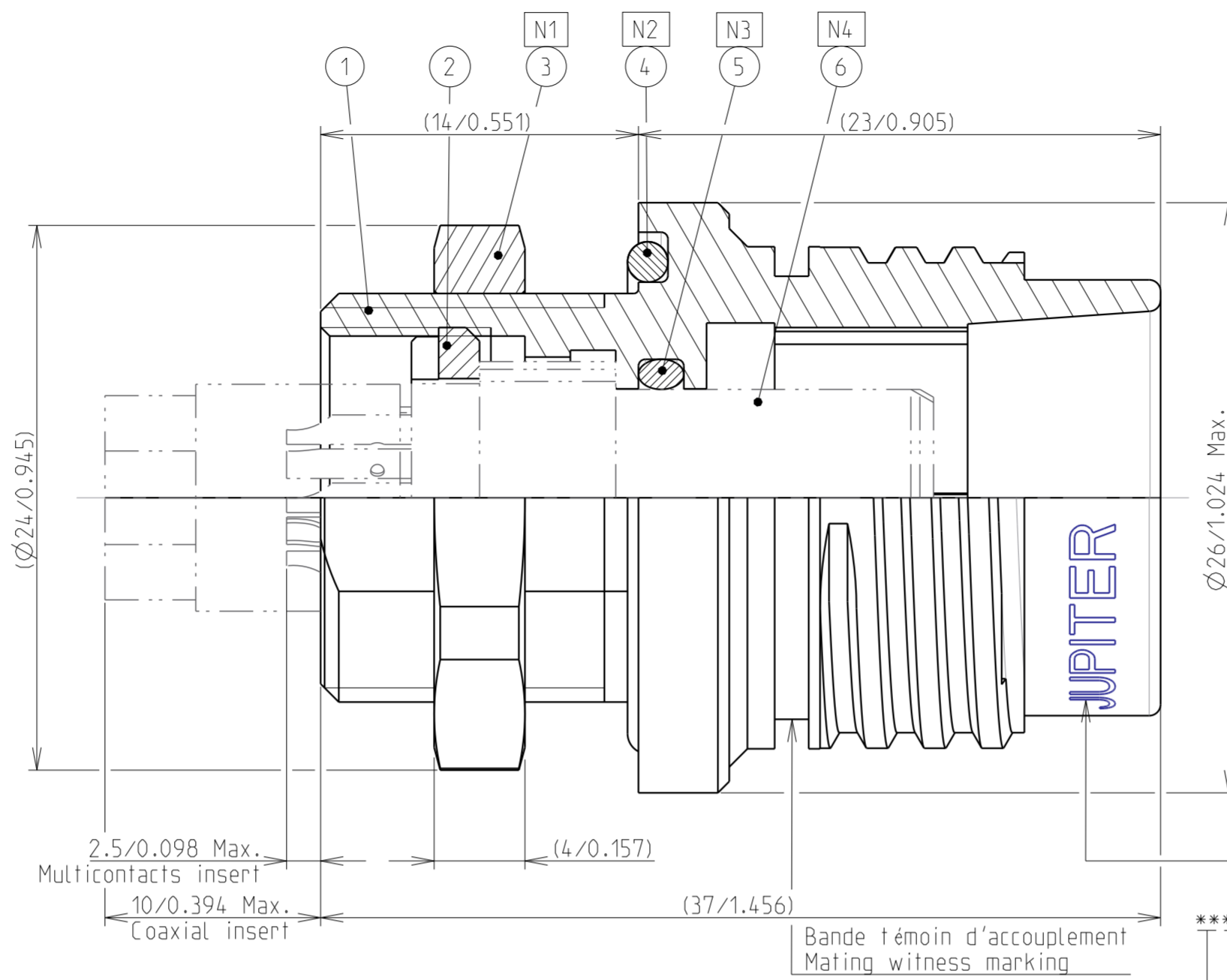
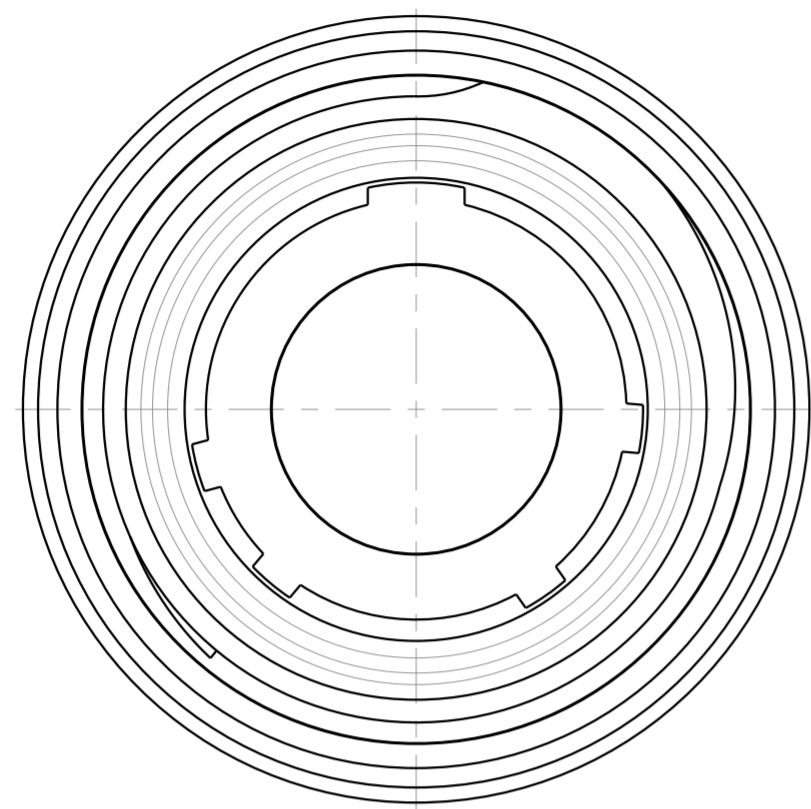


Country	Jurisdiction & Control List
FR	NOT LISTED

	critical dimension
	major dimension



MARQUAGE/MARKING

**** JUPITER FR RER10PLY
 SEMAINE/WEEK
 ANNEE/YEAR

Bande témoin d'accouplement
 Mating witness marking

**REFERENCE COMMERCIALE
 PART NUMBER**

CRER10PLY

6	ISOLANT / INSERT
5	JOINT TORIQUE ISOLANT / O'RING INSERT
4	JOINT TORIQUE PANNEAU / O'RING PANEL
3	ECROU DE FIXATION / JAM NUT
2	BAGUE DE RETENUE / RETAINING RING
1	EMBASE RER / RECEPTACLE RER
REP	DESIGNATION

N1 : SERRAGE SUR PANNEAU COUPLE 3.5 N.m
 TIGHTENING ON PANEL TORQUE 3.5 N.m

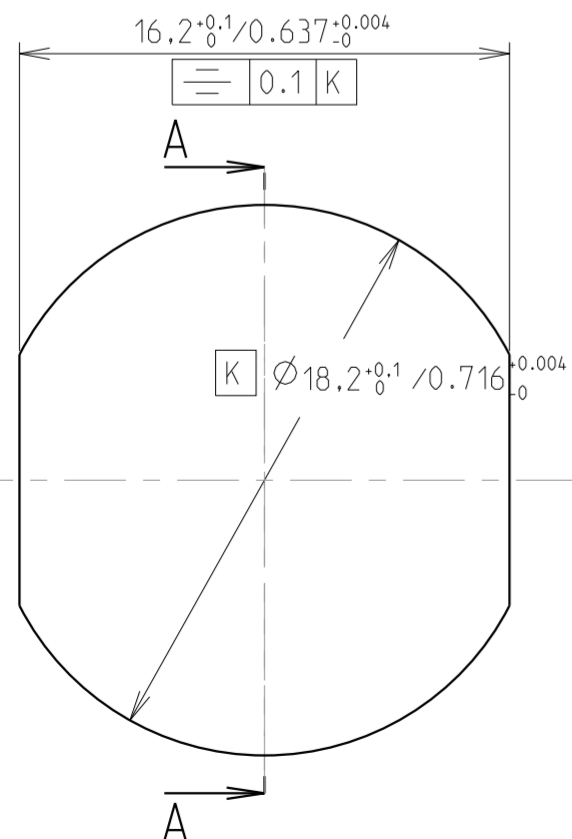
N2 : MONTAGE SANS GRAISSE
 MOUNTING WITHOUT GREASE

N3 : MONTAGE AVEC GRAISSE
 MOUNTING WITH GREASE

N4 : ISOLANT HORS FOURNITURE
 INSERT NOT SUPPLIED

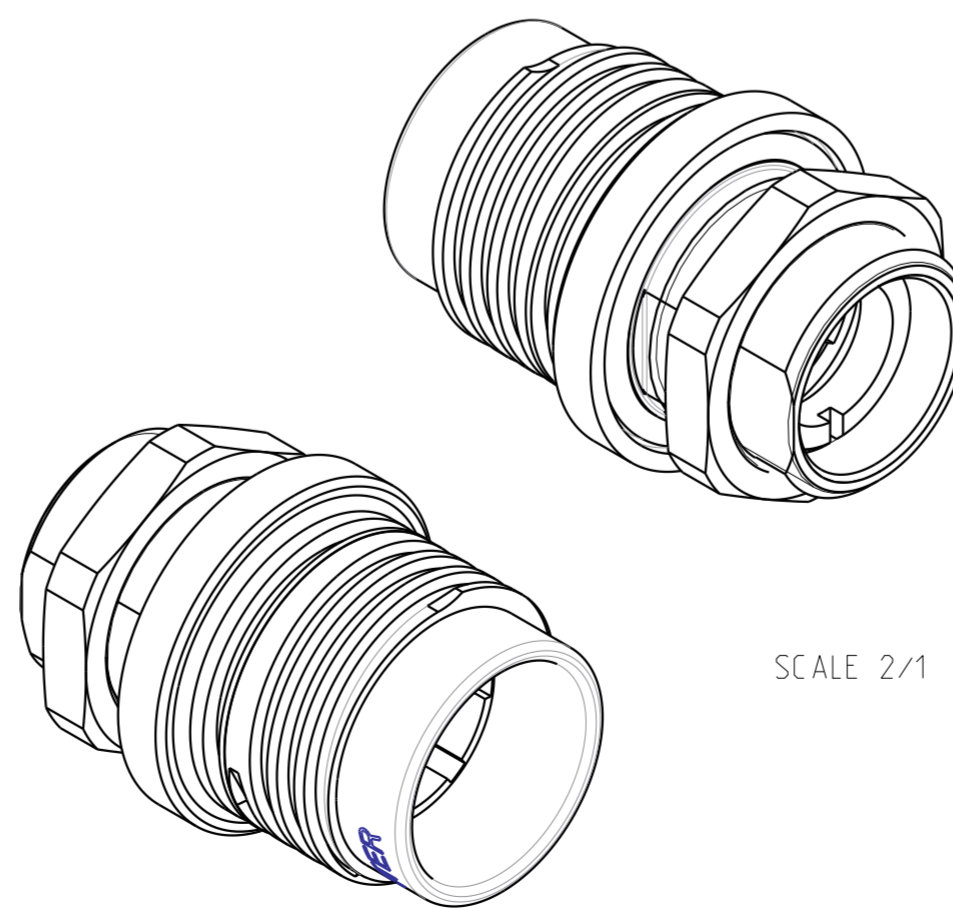
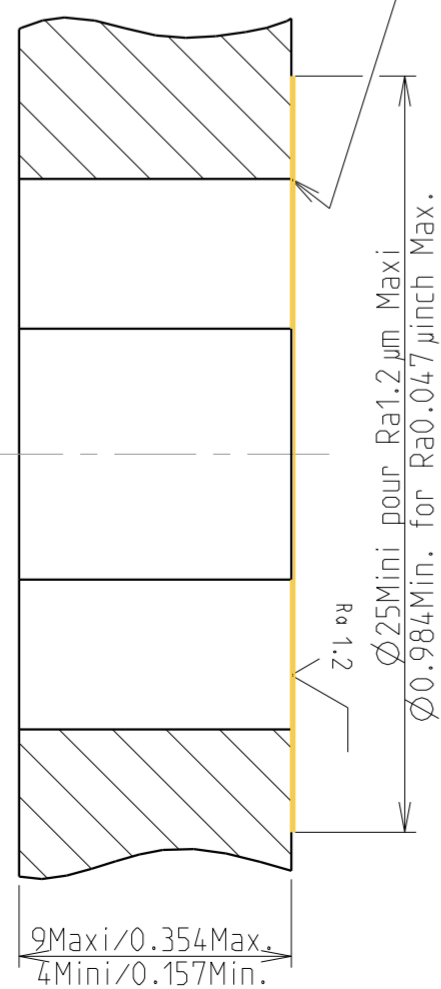
CUT A-A

Cassage d'angle 0.2 Maxi
 Edge breaking 0.008in Max.



**DECOUPE DU PANNEAU
 PANEL CUT OUT**

SCALE 4/1



A	05/09/16	Initial drawing	ORAIN	MEFFRE	DIFF
Iss	Date	MODIFICATIONS	A C Naf.	Designed by	Checked by
MATERIAL --		TREATMENT	PROTECTION/PLATING		
--		--	--		
--		--	CODE --		
DIMENSIONS ARE DEFINED BEFORE PLATING					
TITLE		EMBASE RER / RECEPTACLE RER			PROJECT
		SERIE PL - TAILLE 10			PL54
Material Reference Voir Référence Commerciale / See Part Number					
		Generales tolerances ISO 2768		SOURIAU	
Scale 4/1		General machining Surface texture		SOURIAU	
Geometrical Tolerances: NF EN ISO 1101		This document is the property of SOURIAU it must not be reproduced or communicated without permission.		3. RUE DU VALLON ZAC N°2 94440 MAROLLES-EN-BRIE (FRANCE) TEL. 33 (0)1 45 10 78 00	
FORMAT	A2	SOURIAU DRG N° 542E0030A8C		Iss	SHEET
				A	1/1