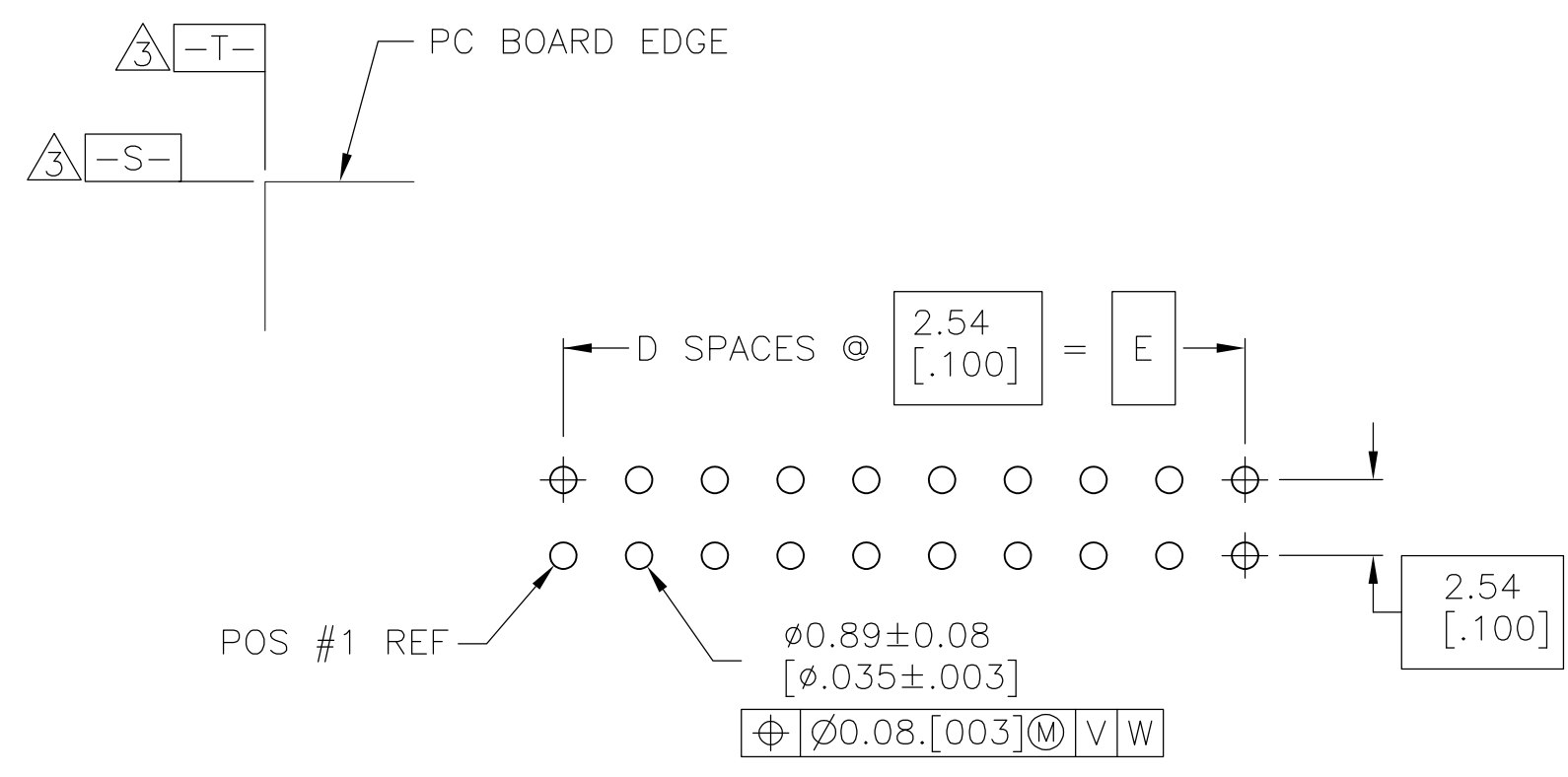
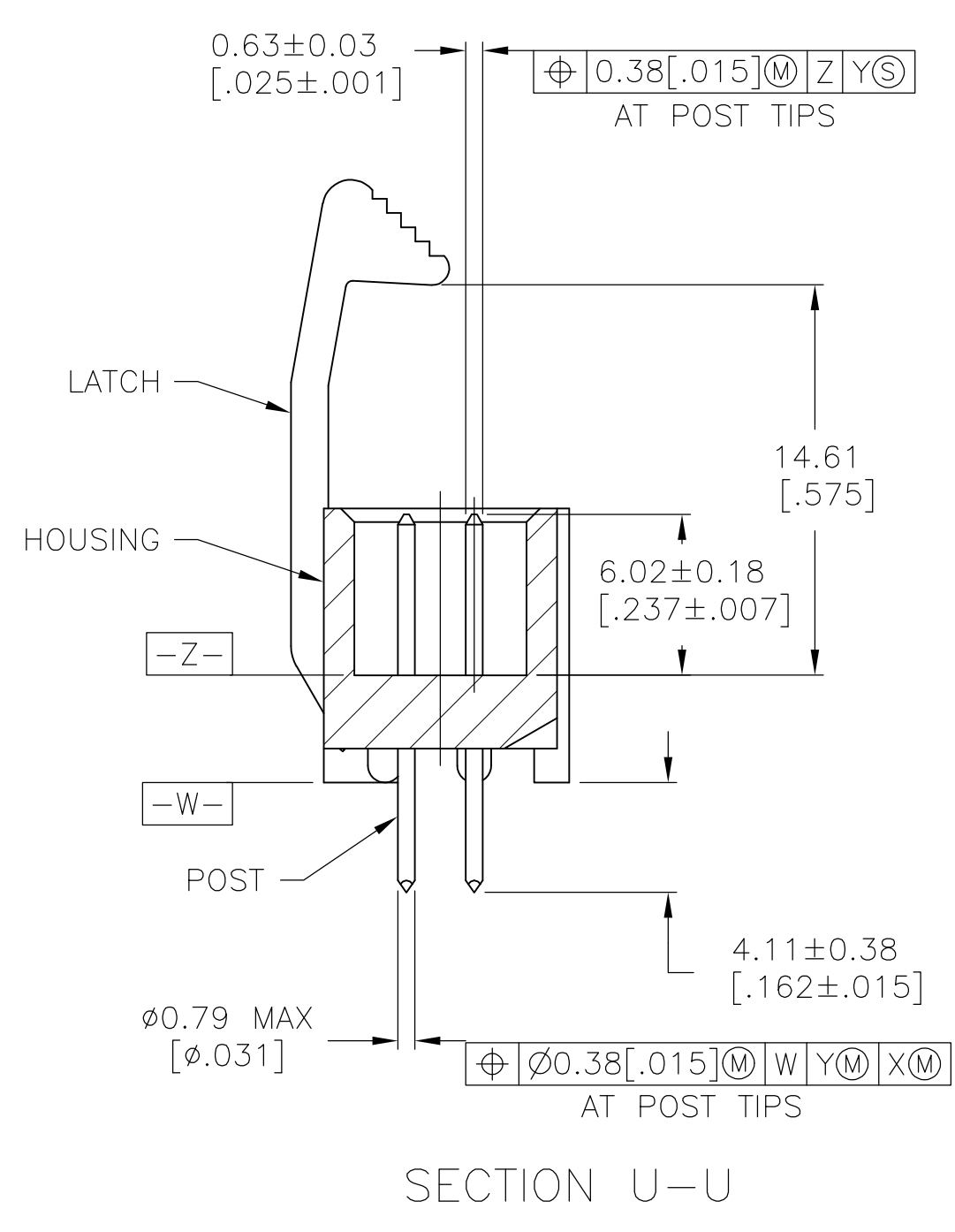
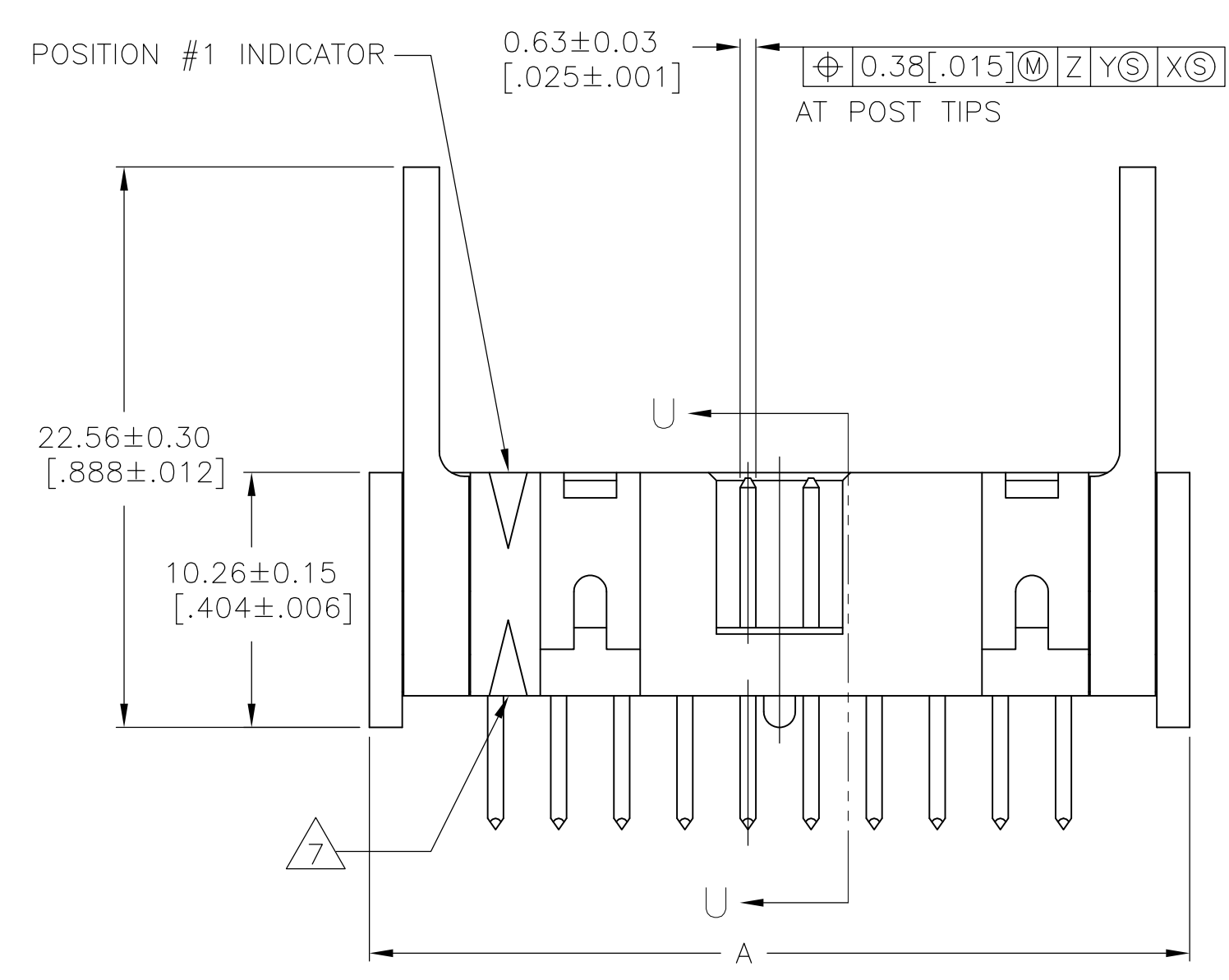


- 1 HOUSING: PBT, UL94V-0, COLOR: BLUE.
POSTS: PHOSPHOR BRONZE.
LATCHES: ZINC ALLOY.
- 2 POSTS: GOLD FLASH OVER PALLADIUM-NICKEL PLATE, $0.76\mu\text{m}$ [.000030] MIN TOTAL ON MATING AREA, $2.54\mu\text{m}$ [.000100] MIN TIN PLATE ON SOLDER-TAIL, ALL OVER $1.27\mu\text{m}$ [.000050] MIN NICKEL UNDERPLATE ON ENTIRE POST.
OR
 $0.76\mu\text{m}$ [.000030] MIN GOLD PLATE ON MATING AREA, $2.54\mu\text{m}$ [.000100] MIN TIN PLATE ON THE SOLDER-TAIL, $1.27\mu\text{m}$ [.000050] MIN NICKEL UNDERPLATE ON THE ENTIRE POST.
LATCHES: BLACK NICKEL OVER COPPER.
- 3 DATUMS S & T TO BE ESTABLISHED BY CUSTOMER.
- 4 NO KEYING SLOT ON THIS END FOR 6, 10, 12 & 14 POSITION ASSEMBLIES.
- 5 NO KEYING SLOT ON THIS END FOR 6 & 10 POSITION ASSEMBLIES.
- 6 NO STANDOFF FOR 6, 10, 12, 14 & 16 POSITION ASSEMBLIES.
- 7 ALTERNATE LOCATION/ORIENTAION FOR POSITION #1 INDICATOR.



RECOMMENDED PC BOARD LAYOUT
(VIEWED FROM CONNECTOR SIDE)

	73.66	29	75.69	81.18	83.82	60	3-1761711-6
	[2.900]		[2.980]	[3.196]	[3.300]		
	60.96	24	62.99	68.48	71.12	50	3-1761711-5
	[2.400]		[2.480]	[2.696]	[2.800]		
	48.26	19	50.29	55.78	58.42	40	3-1761711-3
	[1.900]		[1.980]	[2.196]	[2.300]		
	40.64	16	42.67	48.16	50.80	34	3-1761711-1
	[1.600]		[1.680]	[1.896]	[2.000]		
OBSOLETE	30.48	12	32.51	38.00	40.64	26	2-1761711-9
	[1.200]		[1.280]	[1.496]	[1.600]		
	27.94	11	29.97	35.46	38.10	24	2-1761711-8
	[1.100]		[1.180]	[1.396]	[1.500]		
	22.86	9	24.89	30.38	33.02	20	2-1761711-7
	[.900]		[.980]	[1.196]	[1.300]		
OBSOLETE	17.78	7	19.81	25.30	27.94	16	2-1761711-6
	[.700]		[.780]	[.996]	[1.100]		
OBSOLETE	15.24	6	17.27	22.76	25.40	14	2-1761711-5
	[.600]		[.680]	[.896]	[1.000]		
	12.70	5	14.73	20.22	22.86	12	2-1761711-4
	[.500]		[.580]	[.796]	[.900]		
	10.16	4	12.19	17.68	20.32	10	2-1761711-3
	[.400]		[.480]	[.696]	[.800]		
	5.08	2	7.11	12.60	15.24	6	2-1761711-1
	[.200]		[.280]	[.496]	[.600]		
	E	D	C	B	A	NO OF POS	PART NUMBER

THIS DRAWING IS A CONTROLLED DOCUMENT. **STE** TE Connectivity

DIMENSIONS: mm [INCHES]	TOLERANCES UNLESS OTHERWISE SPECIFIED:	DIN B. CRISAMORE/DJI 30JUN05	APVD S. BOLASH 30JUN05	NAME M. WALMSLEY 30JUN05
0 PLC ± -	1 PLC ± -	2 PLC ± -	3 PLC ± 0.1% (.005)	4 PLC ± -
ANGLES ± -				
MATERIAL	FINISH	WEIGHT	SIZE CAGE CODE DRAWING NO. A1 00779 1761711	RESTRICTED TO
			CUSTOMER DRAWING	SCALE 4:1 SHEET 1 OF 1 REV E1