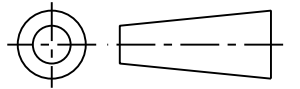


DO NOT SCALE

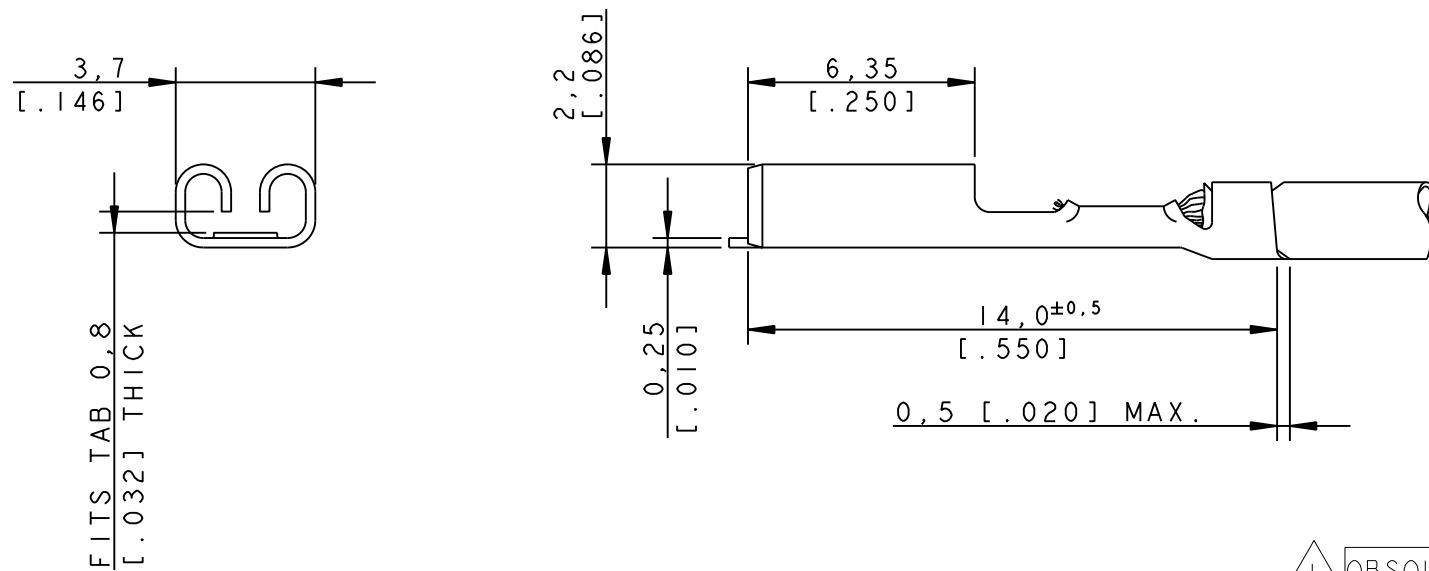
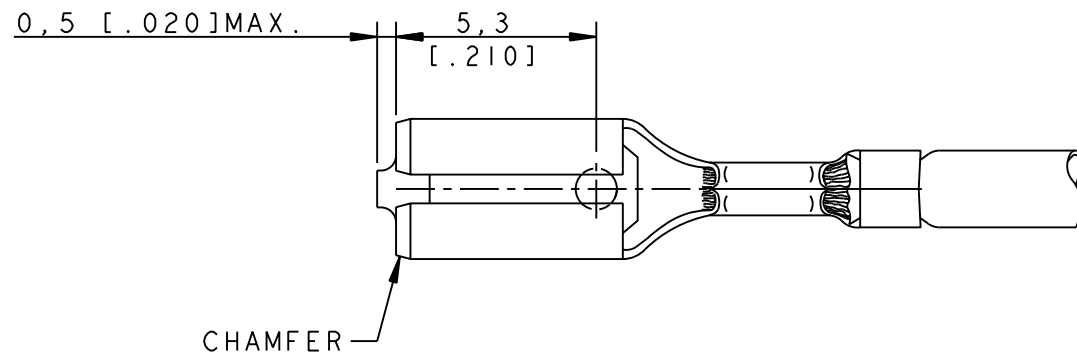
DIMENSIONS IN mm

METRIC

THIRD ANGLE  
PROJECTION



⚠ OBSOLETE PARTS: OBSOLETE CIS STREAMLINING PER D.RENAUD/D.SINISI



⚠ OBSOLETE

OBSOLETE  
⚠

⚠ OBSOLETE

MAKE FROM STRIP PN	FINISH	MATERIAL	LOOSE PIECE PARTNUMBER
6-160303-3	PRE-TIN HOT DIP	PHOSPHORBRONZE	6-160321-3
6-160303-2	TIN-LEAD	BRASS	6-160321-2
6-160303-0	PRE-TIN HOT DIP	PHOSPHORBRONZE	6-160321-0
5-160303-9	PRE-TIN HOT DIP	BRASS	5-160321-9
5-160303-6	TIN	PHOSPHORBRONZE	5-160321-6
5-160303-4	GOLD	BRASS	5-160321-4
5-160303-3	SILVER	BRASS	5-160321-3
5-160303-2	TIN	BRASS	5-160321-2
5-160303-1	NONE	BRASS	5-160321-1

WIRE RANGE :  
0,3-0,56 mm  
INSULATION RANGE :  
1,0-2,0 DIA.

CUSTOMER DRAWING FOR REFERENCE ONLY  
WILL NOT BE UPDATED

© COPYRIGHT 19 - BY AMP HOLLAND B.V.  
ALL INTERNATIONAL RIGHTS RESERVED. AMP PRODUCTS MAY BE  
COVERED BY U.S. AND FOREIGN AND/OR PATENTS PENDING.

THIS DRAWING IS UNPUBLISHED  
RELEASED FOR PUBLICATION - , 19 -

**Tyco Electronics** AMP ITALIA S.r.l.  
Corso F.lli Cervi, 15  
COLLEGNO (TORINO)

AI	ECO-10-000030	KK	AEG	04JAN10	
A	EH-0243-94	DK	PB	11-04-94	
LTR.	REVISION RECORD	DR.	CHK.	DATE	
DR.:	D.KESSLER	CHK.:	P.BEIJNON	APP.:	L.V.SOEST
DATE:	11-04-94	DATE:	-	DATE:	-

NAME	.110 SRS FASTON RECEPTACLE LOOSE PIECES
DWG. No.	C-160321
SHEET	1 OF 1
REV. LTR.	AI

8

7

6

5

4

3

2

1