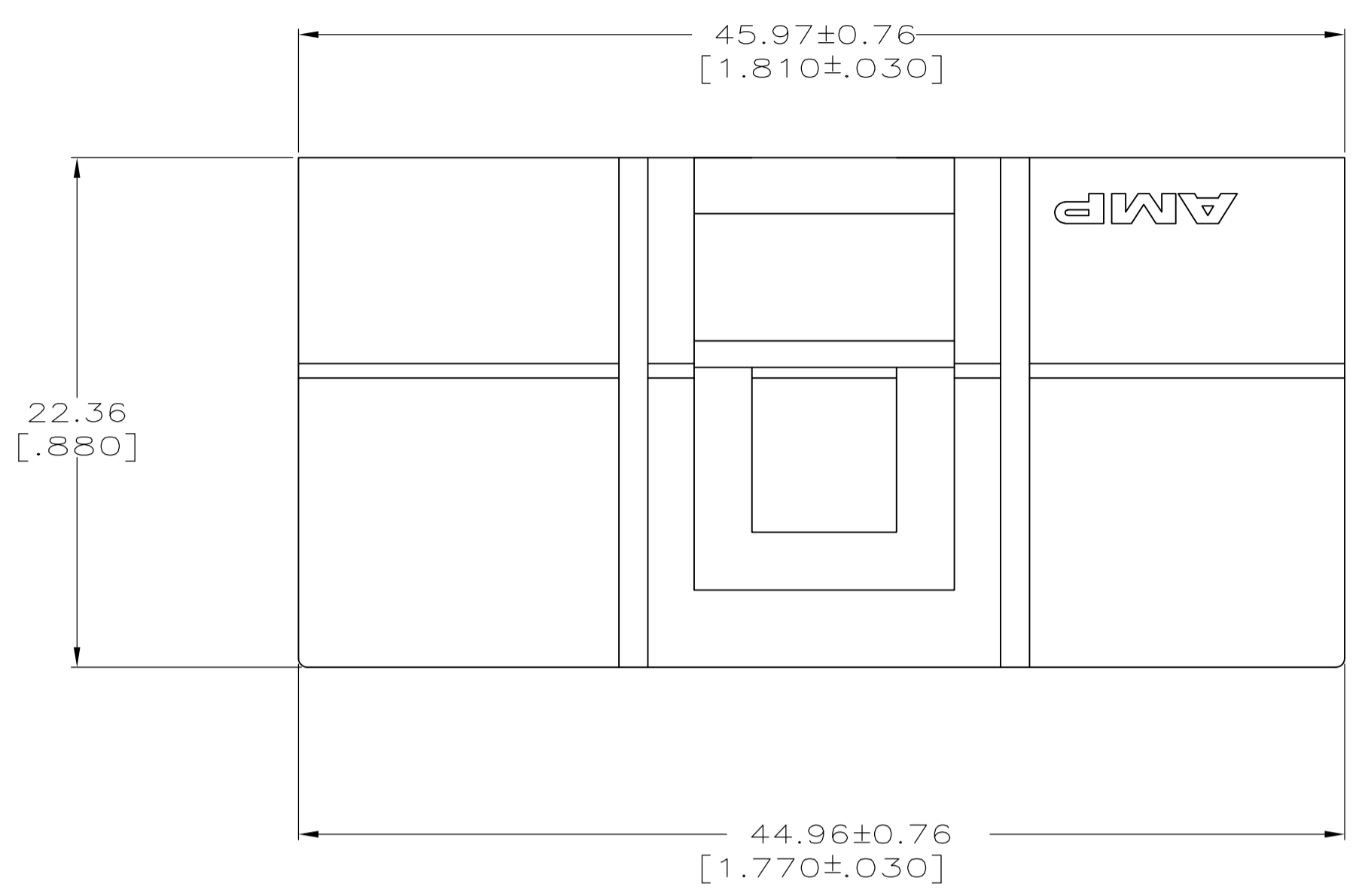
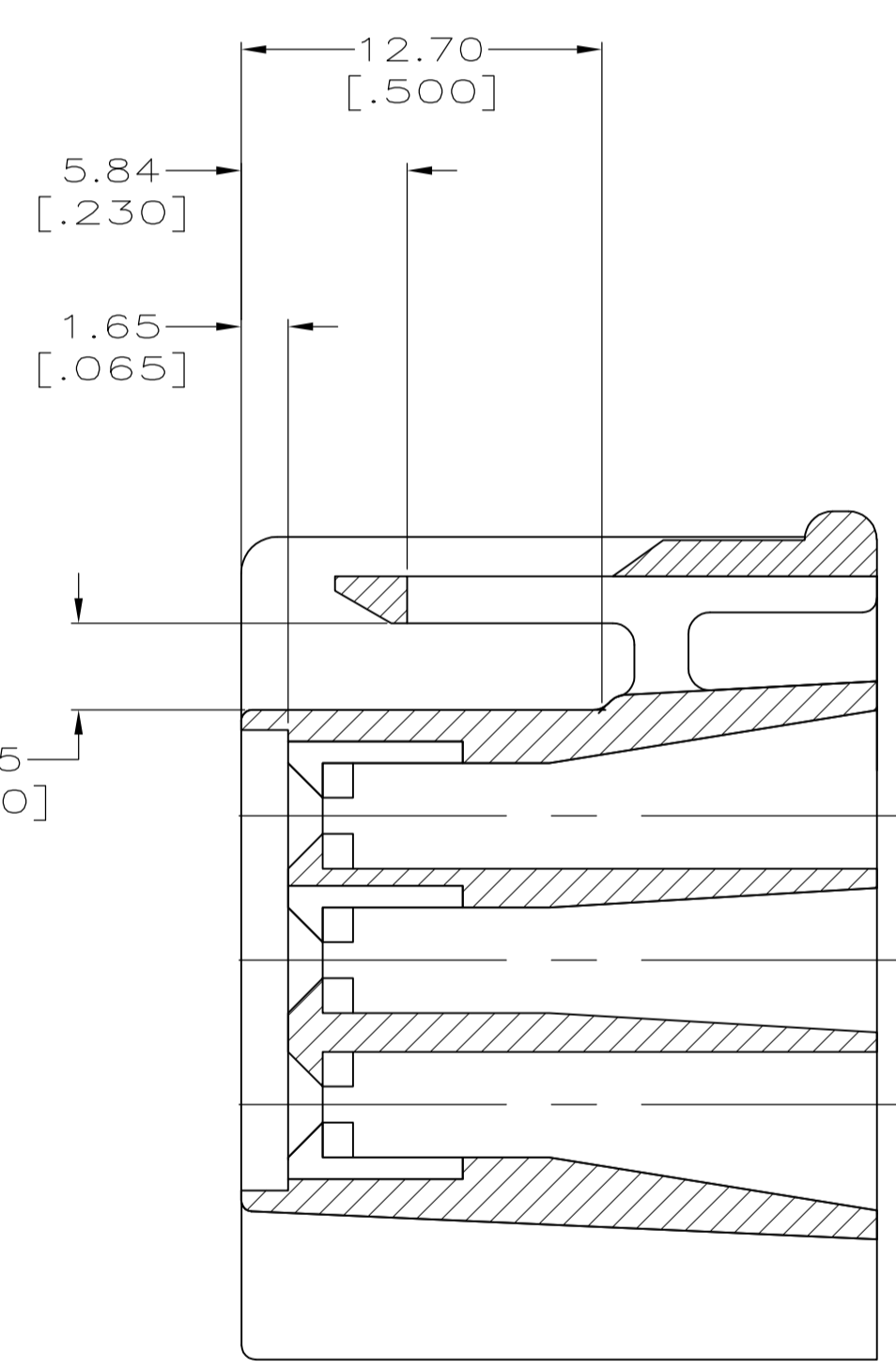
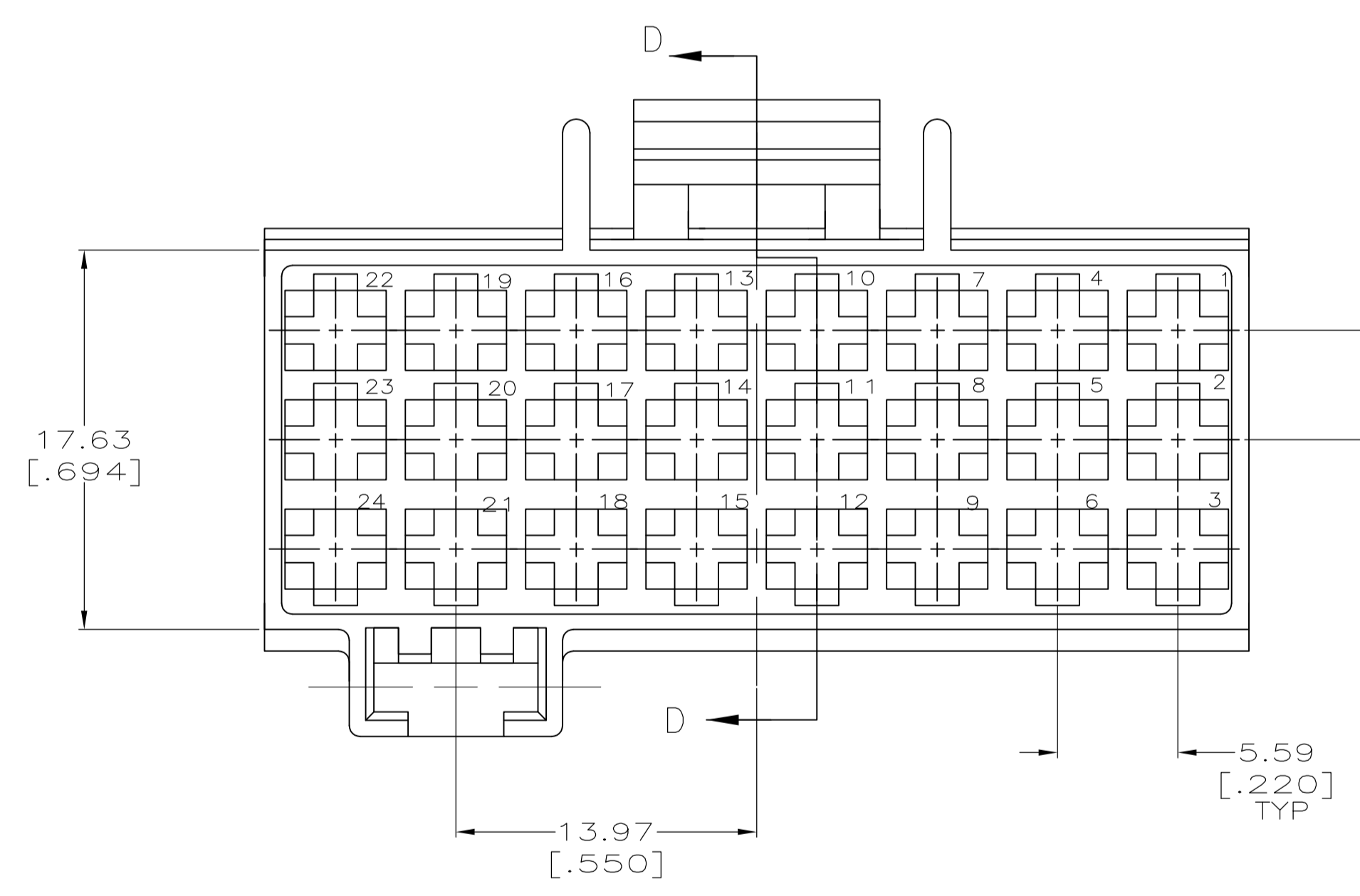


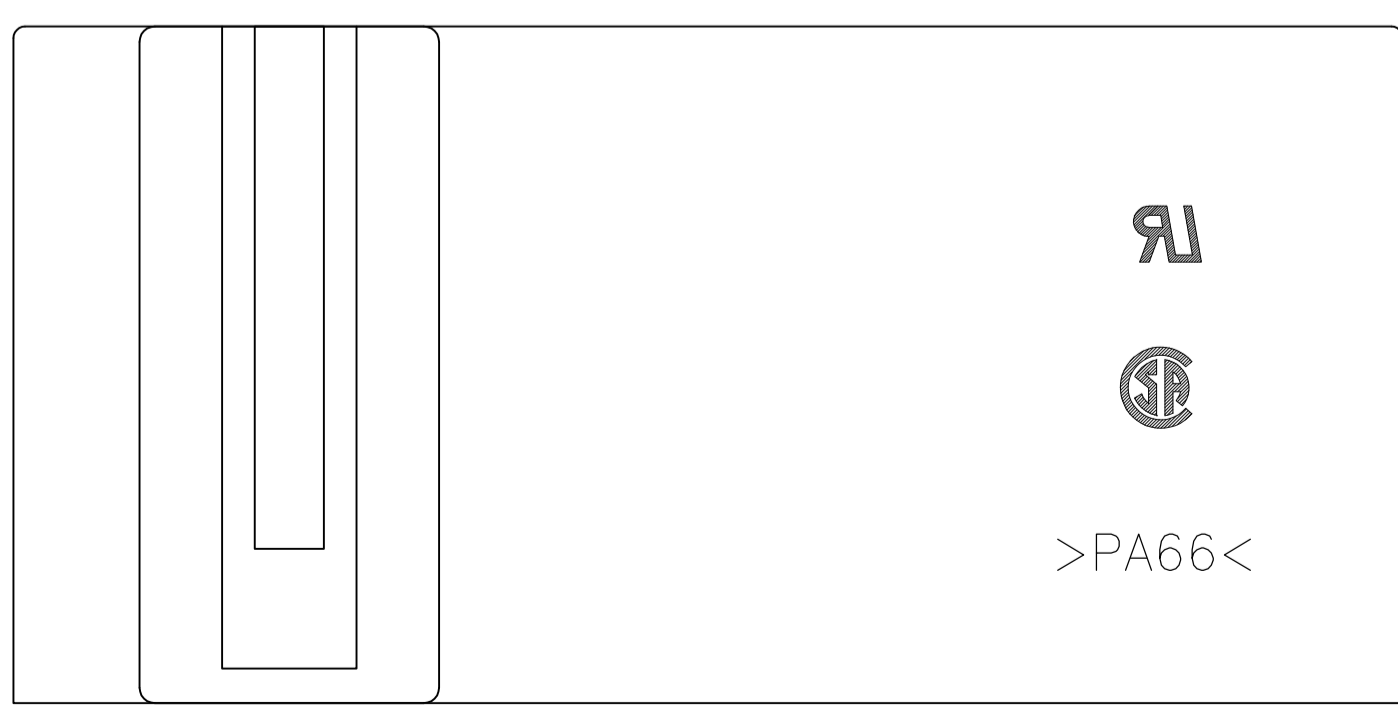
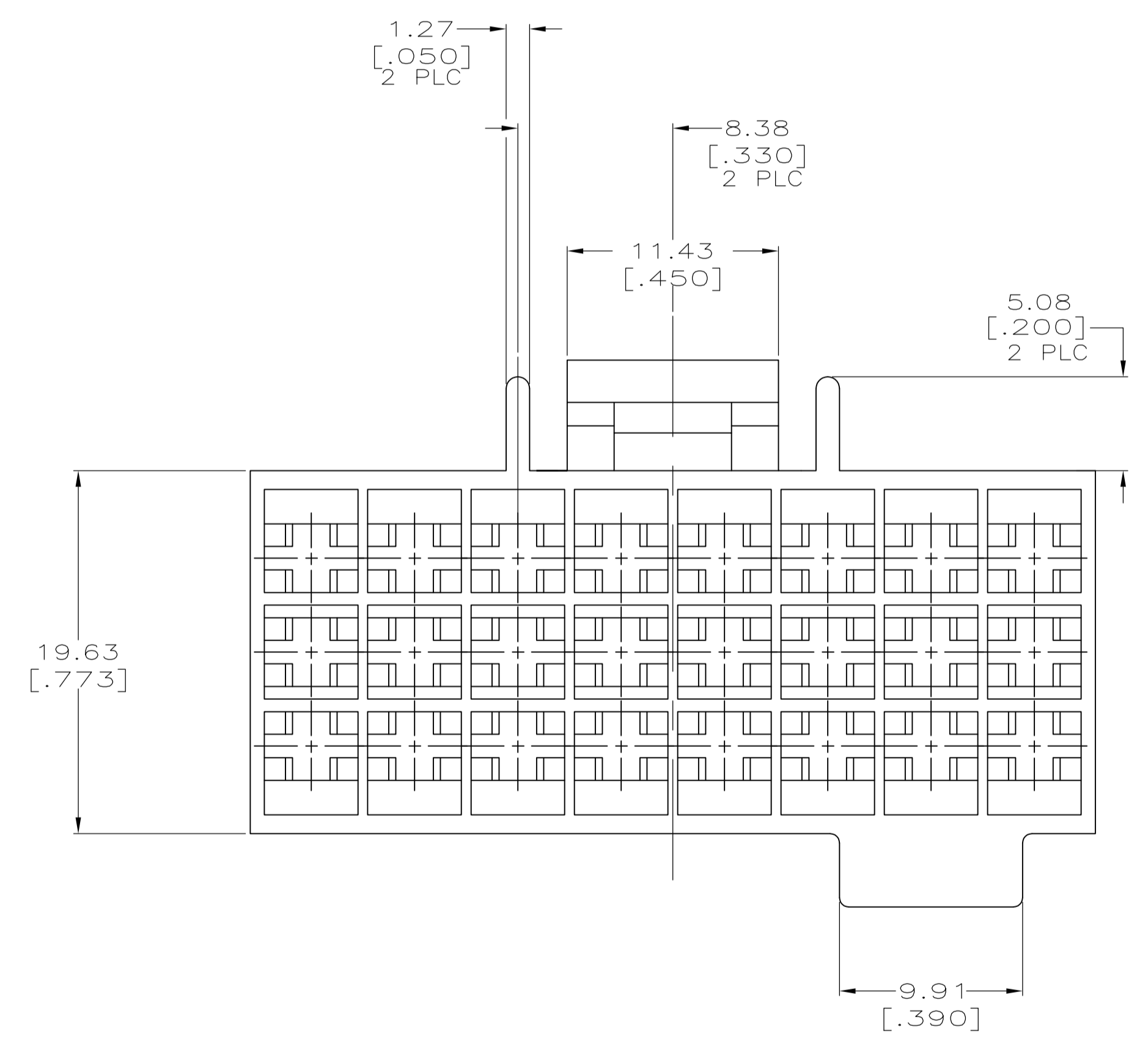
LOC		DIST		REVISIONS			
P	LTR	DESCRIPTION	DATE	DN	APVD		
H		REV PER ECR 05-003437	06SEP05	JR	DD		
H1		REV PER ECR 14-013000	01SEP14	LP	T.D		



- 1 HOUSING ACCEPTS (24) 3.18 [.125] BLADE RECEPTACLES AMP P/N 61603-1 OR 61604-1.
- 2 PRELIMINARY - NOT FOR PRODUCTION



SECTION D-D



OBSOLETE	NATURAL	2 521115-2
OBSOLETE	BLACK	521115-1
	COLOR	PART NO.

THIS DRAWING IS A CONTROLLED DOCUMENT.

DIMENSIONS: INCHES	TOLERANCES UNLESS OTHERWISE SPECIFIED:	0 PLC ± -	1 PLC ± -	2 PLC ± 0.25 [.010]	3 PLC ± -	4 PLC ± -	ANGLES ± -
MATERIAL: NYLON 6/6		FINISH: SEE TABLE		WEIGHT: -		SIZE: A1 00779 C=521115	

DWN: PHILLIP M. FORTNEY 10/MAY/96
 CHK: MICHAEL S. FEHER 10/MAY/96
 APVD: D. DECKER 10/MAY/96
 NAME: D. DECKER
 PRODUCT SPEC: -
 APPLICATION SPEC: -
 Tyco Electronics Corporation, Harrisburg, Pa 17105-3608
 HOUSING, 24 POSITION, SIDE LATCHED, TIMER CONNECTOR
 SCALE: 4:1 SHEET 1 OF 1 REV H1