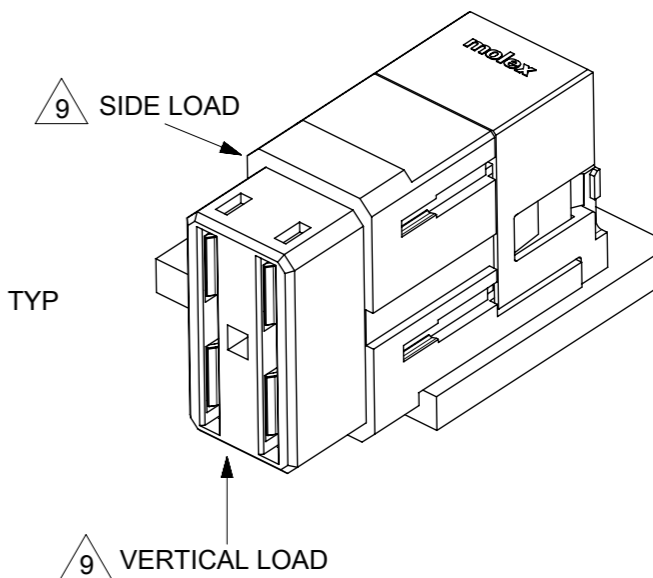
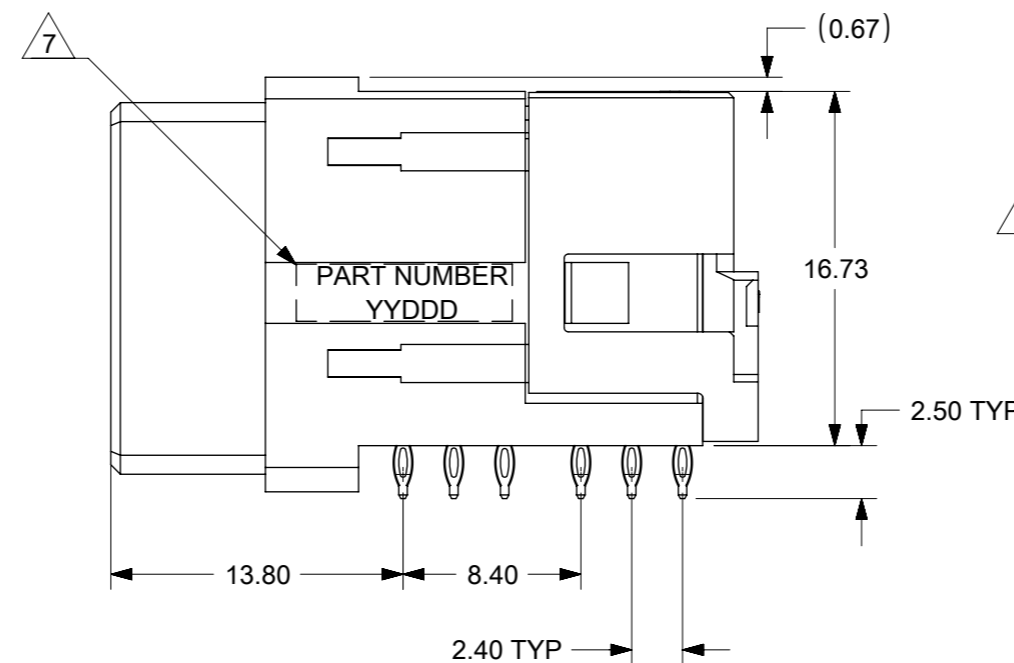
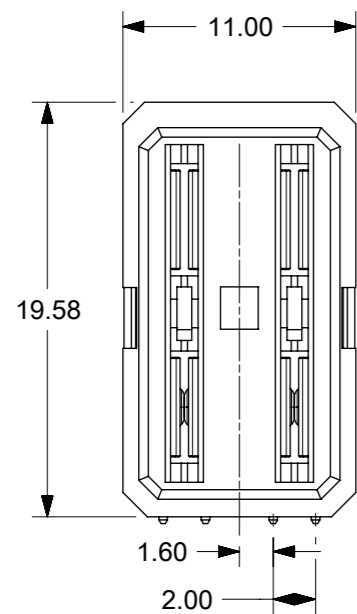


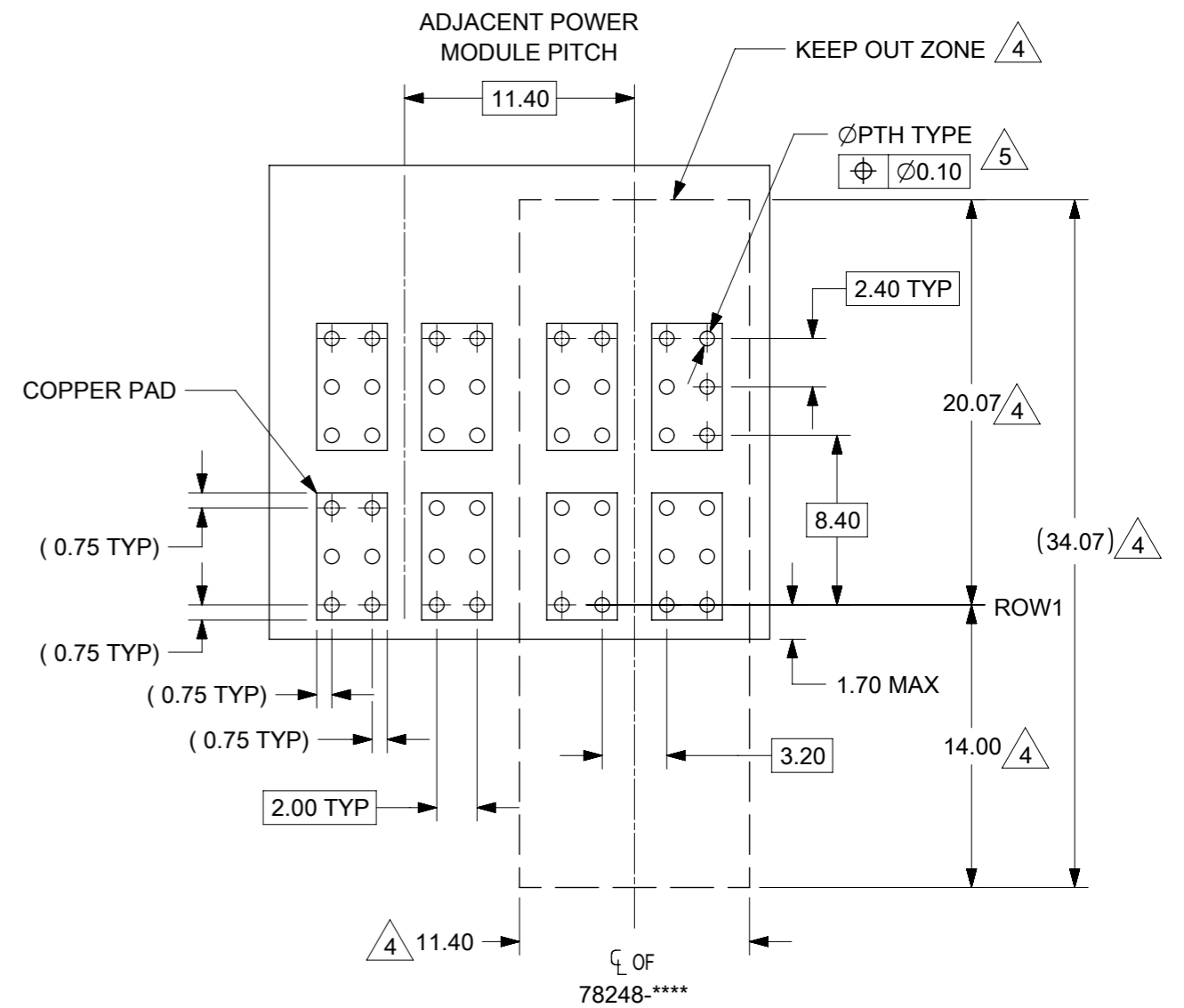
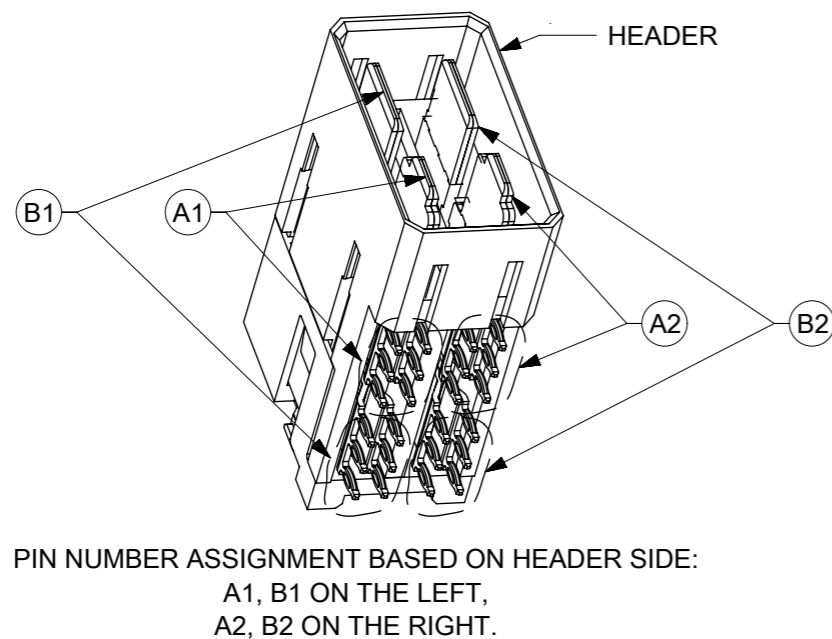
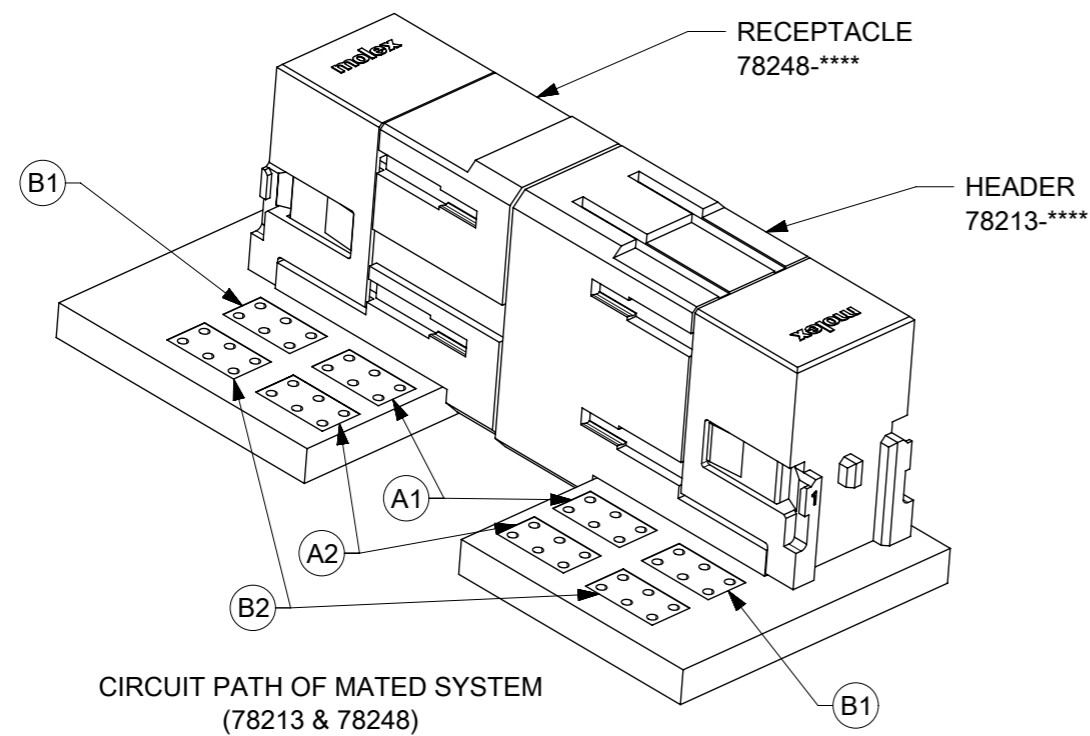
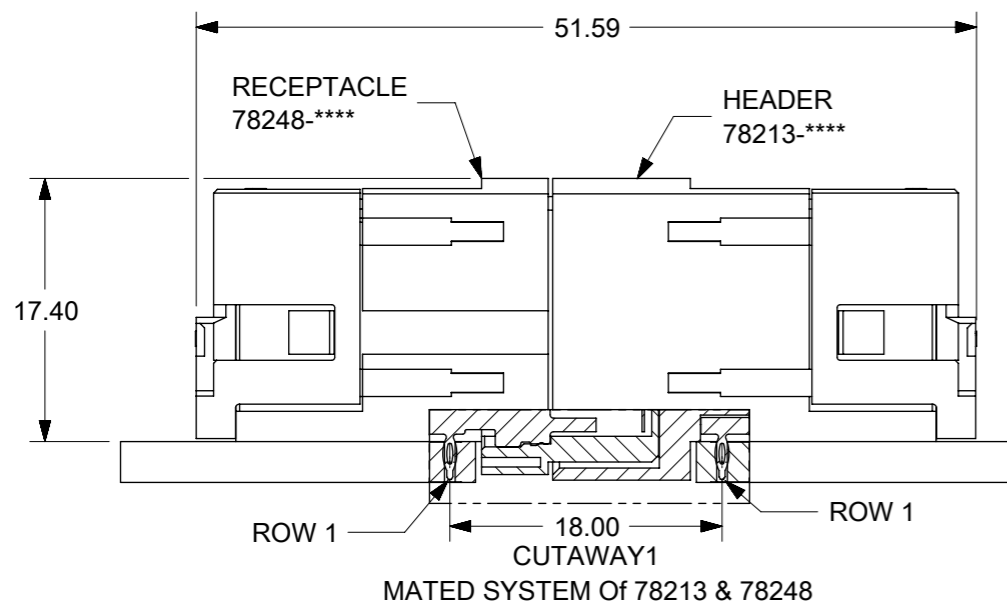
PART NUMBER	PLATING OPTIONS	PACKAGING
78248-1001	TIN PLATING	TRAY

NOTES:

1. MATERIAL:  
HOUSING - LCP, GLASS FILLED, UL94-V0, COLOR: BLACK  
POWER PIN - COPPER ALLOY
2. FINISH OPTION:  
TIN - 0.76µm MINIMUM GOLD AT CONTACT AND  
2.54µm MINIMUM TIN AT SOLDER TAIL AREA OVER  
1.27µm MINIMUM NICKEL UNDERPLATE OVERALL.
3. PRODUCT SPECIFICATION: PS-78213-001.
4. KEEP OUT ZONE FROM OTHER COMPONENTS.
5. REFER TO MOLEX PRODUCT SPECIFICATION PS-78213-001 FOR PLATED THROUGH-HOLE SPECIFICATION.
6. MATES WITH 78213-\*\*\*\*.
7. PART NUMBER AND DATE CODE (YYDDD) APPROXIMATELY SHOWN.
8. PACKAGING SPECIFICATION: PK-78248-\*\*\*
9. A HOLD DOWN MODULE (78350 SERIES) SHALL BE EMPLOYED IF THERE IS A SIDE LOAD OR VERTICAL LOAD ACTING ON THE CONNECTOR.



THIS DRAWING CONTAINS INFORMATION THAT IS PROPRIETARY TO MOLEX ELECTRONIC TECHNOLOGIES, LLC AND SHOULD NOT BE USED WITHOUT WRITTEN PERMISSION		CURRENT REV DESC: MIGRATED TO NX		<b>molex</b>	
DIMENSION UNITS	SCALE				
mm	NTS			IMPACT POWER, 4 PAIR RIGHT ANGLE RECEPTACLE PRESS-FIT	
GENERAL TOLERANCES (UNLESS SPECIFIED)				PRODUCT CUSTOMER DRAWING	
ANGULAR TOL	± 3.0 °	EC NO:	612055		
4 PLACES	±	DRWN:	SKRISHNAMU01	2019/01/17	
3 PLACES	±	CHK'D:	ABN	2019/02/14	
2 PLACES	± 0.25	APPR:	CWANG25	2019/03/05	
1 PLACE	±	INITIAL REVISION:		DOCUMENT NUMBER	
0 PLACES	±	DRWN:	LNG	2010/02/08	SD-78248-001
DRAFT WHERE APPLICABLE MUST REMAIN WITHIN DIMENSIONS		APPR:	SHONG	2010/02/08	PSD 001 A4
		THIRD ANGLE PROJECTION	DRAWING	SERIES	MATERIAL NUMBER
			A3-SIZE	78248	SEE TABLE
		CUSTOMER	GENERAL MARKET		SHEET NUMBER
				1 OF 2	



RECOMMENDED PCB LAYOUT  
(COMPONENT SIDE SHOWN)  
MINIMUM BOARD THICKNESS: 1.60mm

THIS DRAWING CONTAINS INFORMATION THAT IS PROPRIETARY TO MOLEX ELECTRONIC TECHNOLOGIES, LLC AND SHOULD NOT BE USED WITHOUT WRITTEN PERMISSION		CURRENT REV DESC: MIGRATED TO NX		<b>molex</b>	
DIMENSION UNITS	SCALE				
mm	NTS			IMPACT POWER, 4 PAIR RIGHT ANGLE RECEPTACLE PRESS-FIT	
GENERAL TOLERANCES (UNLESS SPECIFIED)		EC NO: 612055		PRODUCT CUSTOMER DRAWING	
ANGULAR TOL	± 3.0 °	DRWN: SKRISHNAMU01	2019/01/17	DOCUMENT NUMBER	
4 PLACES	±	CHK'D: ABN	2019/02/14	SD-78248-001	
3 PLACES	±	APPR: CWANG25	2019/03/05	DOC TYPE	DOC PART
2 PLACES	± 0.25	INITIAL REVISION:		PSD	001
1 PLACE	±	DRWN: LNG	2010/02/08	REVISION	
0 PLACES	±	APPR: SHONG	2010/02/08	A4	
DRAFT WHERE APPLICABLE MUST REMAIN WITHIN DIMENSIONS	THIRD ANGLE PROJECTION	DRAWING	SERIES	MATERIAL NUMBER	CUSTOMER
		A3-SIZE	78248	SEE TABLE	GENERAL MARKET
				SHEET NUMBER	
				2 OF 2	