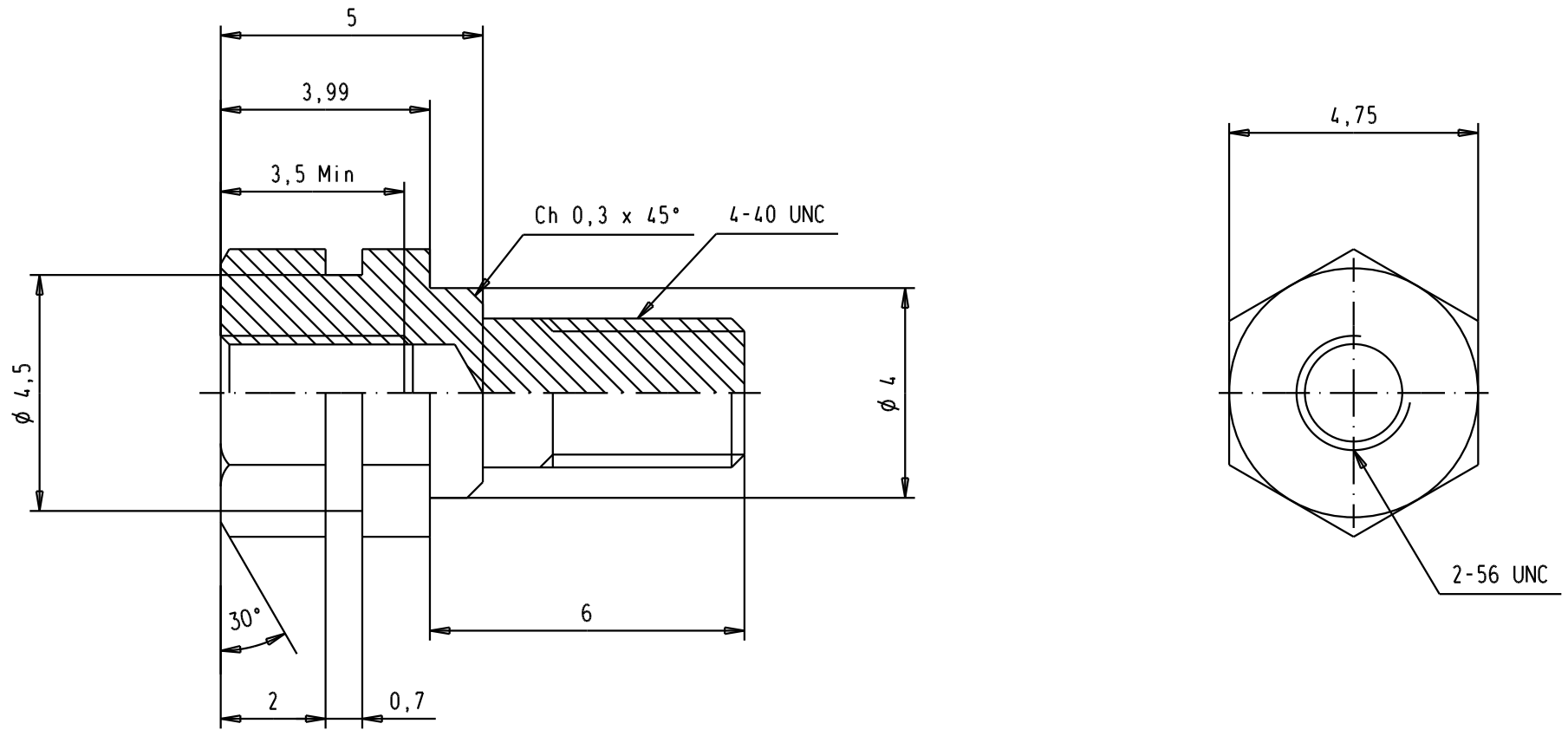




5 4 3 2 1



Material : Copper Alloy
 Plating : Nickel
 Screwing torque for 4-40 UNC : Max 0,46 Nm
 Screwing torque for 2-56 UNC : Max 0,21 Nm

				Dat.	Name	 All Dim. in mm Orig. Size DIN A 4	Har-mik: Female screw-lock with 0,7 mm slot	Maßstab/ Scale
			Detail.	04/07/06	PK			8:1
			Insp.					
			Stand.					
							TB 60 01 000 9019	Blatt/ Page
33774	04/07/06	PK	HARTING EURL F-95972 Paris		1			
Mod.	Dat.	Name			1			
							Sub.	1