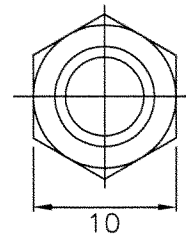
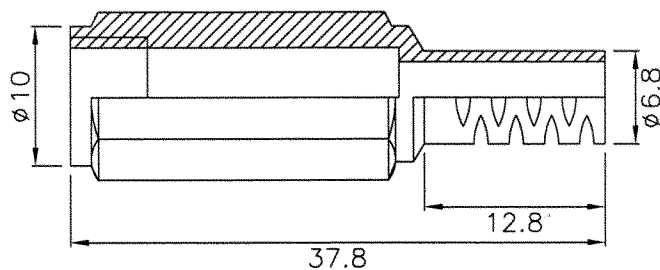
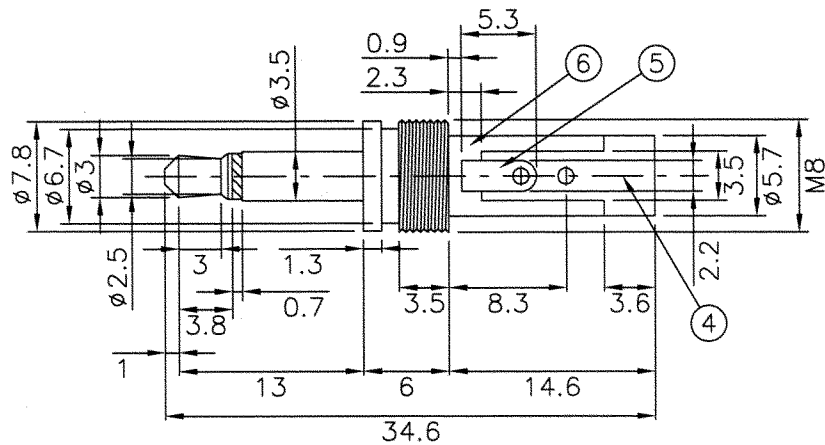


No	DESCRIPTION	MATERIAL	FINISH
1.	CONTACT HEAD	BRASS	NICKEL PLATED
2.	INSULATOR	POM	BLACK COLOR
3.	SLEEVE	BRASS	NICKEL PLATED
4.	EARTH TERMINAL	BRASS	NICKEL PLATED
5.	TIP TERMINAL	BRASS	NICKEL PLATED
6.	TERMINAL INSULATOR	POM	WHITE COLOR
7.	PLASTIC COVER	PE	BLACK COLOR

TOLERANCE: $\pm 0.3\text{MM}$ UNLESS OTHERWISE SPECIFIED



9615 SW Allen, Suite 103
 Beaverton, OR 97005
 Phone: (503) 643-4899
 800-275-4899
 Fax: (503) 643-6129
 Website: www.cui.com

TITLE: 3.5ϕ MONO PHONE PLUG		
PART NO. MP-3501	UNITS: Millimeters	
DRAWN BY: Todd R. White	APPROVED BY:	SCALE: 2X