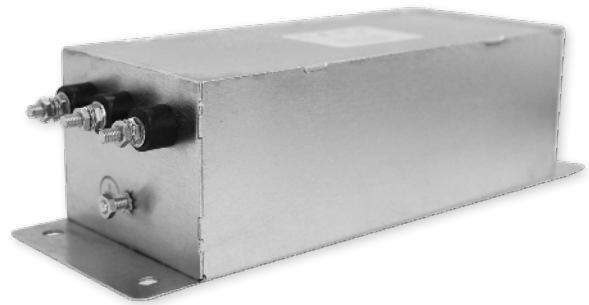


RP380

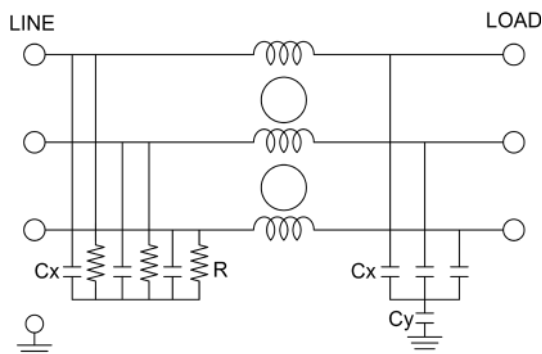
3 PHASE, **DELTA** POWER LINE FILTER, 600V

FEATURES

- » Rated currents include **15A, 30A, 50A, 80A, 100A, 150A, 200A, and 300A**
- » Single Stage Line Filter
- » Available with **W** (wires), **S** (studs) and **C** (connectors) option
- » Agency Approved to UL1283 / 60929, CSA C22.2, EN 60939
- » Y-cap value can be adjusted to fit specification

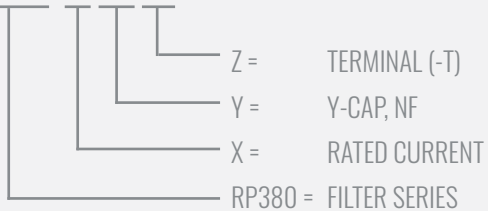


ELECTRICAL SCHEMATIC



HOW TO ORDER

RP380-X-Y-Z



NOTE: USE ANY COMBINATION OF -X (AMPS) WITH ANY -Y RATINGS
E.G. **RP380-80-10-S** (80AMPS WITH 10 NF YCAP)

For **X**, **Y** and **Z** options see product specification table.

SPECIFICATIONS

| | |
|-------------------------------|------------------|
| OPERATING FREQUENCY | 50/60Hz |
| USABLE FREQUENCY | DC - 400 Hz |
| MAX. OPERATING VOLTAGE | 600 V +10% |
| AMBIENT TEMPERATURE | -25 TO 50°C |
| CLIMATIC CATEGORY | 25/100/21 |
| TERMINALS (-T) | WIRELEADS |
| | STUDS 15-50A(M5) |
| | 80-100A(M6) |
| | 150-200A(M10) |
| | 300A (M12) |
| | CONNECTORS |

TYP. WEIGHT, LBS (KG) 5.0 - 35.0 (2.3 - 16.0)

TYPICAL LEAKAGE CURRENT

@ 480 VAC 60 Hz 0 - 25.0 mA Max.

HIPOT RATINGS

LINE TO GROUND 3800 VDC

TYPICAL APPLICATIONS

- ✓ Power conversion systems
- ✓ Processing equipment
- ✓ Alternative energy equipment (EV charging & solar)
- ✓ Factory Machinery

RP380

3 PHASE, DELTA POWER LINE FILTER, 600V

| MODEL NO. | RATED CURRENT, A @ 40° C | Y-CAP, nF | LEAKAGE CURRENT mA, @ 480V AC/60 Hz | TERMINAL OPTIONS | | | MAX. DIMENSIONS" (MM) | | |
|-----------------|--------------------------|-----------|-------------------------------------|-------------------|-------------------|-------------------|-----------------------|-------------|-----------|
| | | | | (W) INPUT/ OUTPUT | (S) INPUT/ OUTPUT | (C) INPUT/ OUTPUT | WIDTH | (LENGTH) | HEIGHT |
| RP380-15-0-S | 15 | 0 | - | | ✓ | | 3.50"(89) | 10.00"(254) | 2.75"(70) |
| RP380-15-0-W | 15 | 0 | - | ✓ | | | * | * | * |
| RP380-15-10-S | 15 | 10 | 0.10 | | ✓ | | 3.50"(89) | 10.00"(254) | 2.75"(70) |
| RP380-15-10-W | 15 | 10 | 0.10 | ✓ | | | * | * | * |
| RP380-15-100-S | 15 | 100 | 1.00 | | ✓ | | 3.50"(89) | 10.00"(254) | 2.75"(70) |
| RP380-15-100-W | 15 | 100 | 1.00 | ✓ | | | * | * | * |
| RP380-15-1000-S | 15 | 1000 | 10.00 | | ✓ | | 3.50"(89) | 10.00"(254) | 2.75"(70) |
| RP380-15-1000-W | 15 | 1000 | 10.00 | ✓ | | | * | * | * |
| RP380-15-2000-S | 15 | 2000 | 20.00 | | ✓ | | 3.50"(89) | 10.00"(254) | 2.75"(70) |
| RP380-15-2000-W | 15 | 2000 | 20.00 | ✓ | | | * | * | * |
| RP380-30-0-C | 30 | 0 | - | | | ✓ | * | * | * |
| RP380-30-0-S | 30 | 0 | - | | ✓ | | 3.50"(89) | 10.00"(254) | 2.75"(70) |
| RP380-30-0-W | 30 | 0 | - | ✓ | | | * | * | * |
| RP380-30-10-C | 30 | 10 | 0.10 | | | ✓ | * | * | * |
| RP380-30-10-S | 30 | 10 | 0.10 | | ✓ | | 3.50"(89) | 10.00"(254) | 2.75"(70) |
| RP380-30-10-W | 30 | 10 | 0.10 | ✓ | | | * | * | * |
| RP380-30-100-C | 30 | 100 | 1.00 | | | ✓ | * | * | * |
| RP380-30-100-S | 30 | 100 | 1.00 | | ✓ | | 3.50"(89) | 10.00"(254) | 2.75"(70) |
| RP380-30-100-W | 30 | 100 | 1.00 | ✓ | | | * | * | * |
| RP380-30-1000-C | 30 | 1000 | 10.00 | | | ✓ | * | * | * |
| RP380-30-1000-S | 30 | 1000 | 10.00 | | ✓ | | 3.50"(89) | 10.00"(254) | 2.75"(70) |
| RP380-30-1000-W | 30 | 1000 | 10.00 | ✓ | | | * | * | * |
| RP380-30-2000-C | 30 | 2000 | 20.00 | | | ✓ | * | * | * |
| RP380-30-2000-S | 30 | 2000 | 20.00 | | ✓ | | 3.50"(89) | 10.00"(254) | 2.75"(70) |
| RP380-30-2000-W | 30 | 2000 | 20.00 | ✓ | | | * | * | * |
| RP380-50-0-C | 50 | 0 | - | | | ✓ | * | * | * |
| RP380-50-0-S | 50 | 0 | - | | ✓ | | 3.50"(89) | 10.00"(254) | 2.75"(70) |
| RP380-50-0-W | 50 | 0 | - | ✓ | | | * | * | * |
| RP380-50-10-C | 50 | 10 | 0.10 | | | ✓ | * | * | * |
| RP380-50-10-S | 50 | 10 | 0.10 | | ✓ | | 3.50"(89) | 10.00"(254) | 2.75"(70) |
| RP380-50-10-W | 50 | 10 | 0.10 | ✓ | | | * | * | * |
| RP380-50-100-C | 50 | 100 | 1.00 | | | ✓ | * | * | * |
| RP380-50-100-S | 50 | 100 | 1.00 | | ✓ | | 3.50"(89) | 10.00"(254) | 2.75"(70) |
| RP380-50-100-W | 50 | 100 | 1.00 | ✓ | | | * | * | * |

ADDITIONAL MODEL NO. >>

RP380

3 PHASE, DELTA POWER LINE FILTER, 600V

| MODEL NO. | RATED CURRENT, A @ 40° C | Y-CAP, nF | LEAKAGE CURRENT mA, @ 480V AC/60 Hz | TERMINAL OPTIONS | | | MAX. DIMENSIONS" (MM) | | |
|------------------|--------------------------|-----------|-------------------------------------|------------------|------------------|------------------|-----------------------|-------------|------------|
| | | | | (W) INPUT/OUTPUT | (S) INPUT/OUTPUT | (C) INPUT/OUTPUT | WIDTH | (LENGTH) | HEIGHT |
| RP380-50-1000-C | 50 | 1000 | 10.00 | | | ✓ | * | * | * |
| RP380-50-1000-S | 50 | 1000 | 10.00 | | ✓ | | 3.50"(89) | 10.00"(254) | 2.75"(70) |
| RP380-50-1000-W | 50 | 1000 | 10.00 | ✓ | | | * | * | * |
| RP380-50-2000-C | 50 | 2000 | 20.00 | | | ✓ | * | * | * |
| RP380-50-2000-S | 50 | 2000 | 20.00 | | ✓ | | 3.50"(89) | 10.00"(254) | 2.75"(70) |
| RP380-50-2000-W | 50 | 2000 | 20.00 | ✓ | | | * | * | * |
| RP380-80-0-C | 80 | 0 | - | | | ✓ | * | * | * |
| RP380-80-0-S | 80 | 0 | - | | ✓ | | 4.00"(102) | 12.36"(314) | 3.25"(83) |
| RP380-80-0-W | 80 | 0 | - | ✓ | | | * | * | * |
| RP380-80-10-C | 80 | 10 | 0.10 | | | ✓ | * | * | * |
| RP380-80-10-S | 80 | 10 | 0.10 | | ✓ | | 4.00"(102) | 12.36"(314) | 3.25"(83) |
| RP380-80-10-W | 80 | 10 | 0.10 | ✓ | | | * | * | * |
| RP380-80-100-C | 80 | 100 | 1.00 | | | ✓ | * | * | * |
| RP380-80-100-S | 80 | 100 | 1.00 | | ✓ | | 4.00"(102) | 12.36"(314) | 3.25"(83) |
| RP380-80-100-W | 80 | 100 | 1.00 | ✓ | | | * | * | * |
| RP380-80-1000-C | 80 | 1000 | 10.00 | | | ✓ | * | * | * |
| RP380-80-1000-S | 80 | 1000 | 10.00 | | ✓ | | 4.00"(102) | 12.36"(314) | 3.25"(83) |
| RP380-80-1000-W | 80 | 1000 | 10.00 | ✓ | | | * | * | * |
| RP380-80-2000-C | 80 | 2000 | 20.00 | | | ✓ | * | * | * |
| RP380-80-2000-S | 80 | 2000 | 20.00 | | ✓ | | 4.00"(102) | 12.36"(314) | 3.25"(83) |
| RP380-80-2000-W | 80 | 2000 | 20.00 | ✓ | | | * | * | * |
| RP380-100-0-C | 100 | 0 | - | | | ✓ | * | * | * |
| RP380-100-0-S | 100 | 0 | - | | ✓ | | 6.60"(168) | 15.75"(400) | 4.50"(114) |
| RP380-100-0-W | 100 | 0 | - | ✓ | | | * | * | * |
| RP380-100-10-C | 100 | 10 | 0.10 | | | ✓ | * | * | * |
| RP380-100-10-S | 100 | 10 | 0.10 | | ✓ | | 6.60"(168) | 15.75"(400) | 4.50"(114) |
| RP380-100-10-W | 100 | 10 | 0.10 | ✓ | | | * | * | * |
| RP380-100-100-C | 100 | 100 | 1.00 | | | ✓ | * | * | * |
| RP380-100-100-S | 100 | 100 | 1.00 | | ✓ | | 6.60"(168) | 15.75"(400) | 4.50"(114) |
| RP380-100-100-W | 100 | 100 | 1.00 | ✓ | | | * | * | * |
| RP380-100-1000-C | 100 | 1000 | 10.00 | | | ✓ | * | * | * |
| RP380-100-1000-S | 100 | 1000 | 10.00 | | ✓ | | 6.60"(168) | 15.75"(400) | 4.50"(114) |
| RP380-100-1000-W | 100 | 1000 | 10.00 | ✓ | | | * | * | * |
| RP380-100-2000-C | 100 | 2000 | 20.00 | | | ✓ | * | * | * |

ADDITIONAL MODEL NO. >>

RP380

3 PHASE, DELTA POWER LINE FILTER, 600V

| MODEL NO. | RATED CURRENT, A @ 40° C | Y-CAP, nF | LEAKAGE CURRENT mA, @ 480V AC/60 Hz | TERMINAL OPTIONS | | | MAX. DIMENSIONS" (MM) | | |
|------------------|--------------------------|-----------|-------------------------------------|------------------|------------------|------------------|-----------------------|-------------|------------|
| | | | | (W) INPUT/OUTPUT | (S) INPUT/OUTPUT | (C) INPUT/OUTPUT | WIDTH | (LENGTH) | HEIGHT |
| RP380-100-2000-S | 100 | 2000 | 20.00 | | ✓ | | 6.60"(168) | 15.75"(400) | 4.50"(114) |
| RP380-100-2000-W | 100 | 2000 | 20.00 | ✓ | | | * | * | * |
| RP380-150-0-C | 150 | 0 | - | | | ✓ | * | * | * |
| RP380-150-0-S | 150 | 0 | - | | ✓ | | 6.60"(168) | 15.75"(400) | 4.50"(114) |
| RP380-150-0-W | 150 | 0 | - | ✓ | | | * | * | * |
| RP380-150-10-C | 150 | 10 | 0.10 | | | ✓ | * | * | * |
| RP380-150-10-S | 150 | 10 | 0.10 | | ✓ | | 6.60"(168) | 15.75"(400) | 4.50"(114) |
| RP380-150-10-W | 150 | 10 | 0.10 | ✓ | | | * | * | * |
| RP380-150-100-C | 150 | 100 | 1.00 | | | ✓ | * | * | * |
| RP380-150-100-S | 150 | 100 | 1.00 | | ✓ | | 6.60"(168) | 15.75"(400) | 4.50"(114) |
| RP380-150-100-W | 150 | 100 | 1.00 | ✓ | | | * | * | * |
| RP380-150-1000-C | 150 | 1000 | 10.00 | | | ✓ | * | * | * |
| RP380-150-1000-S | 150 | 1000 | 10.00 | | ✓ | | 6.60"(168) | 15.75"(400) | 4.50"(114) |
| RP380-150-1000-W | 150 | 1000 | 10.00 | ✓ | | | * | * | * |
| RP380-150-2000-C | 150 | 2000 | 20.00 | | | ✓ | * | * | * |
| RP380-150-2000-S | 150 | 2000 | 20.00 | | ✓ | | 6.60"(168) | 15.75"(400) | 4.50"(114) |
| RP380-150-2000-W | 150 | 2000 | 20.00 | ✓ | | | * | * | * |
| RP380-200-0-C | 200 | 0 | - | | | ✓ | * | * | * |
| RP380-200-0-S | 200 | 0 | - | | ✓ | | 6.60"(168) | 15.75"(400) | 4.50"(114) |
| RP380-200-0-W | 200 | 0 | - | ✓ | | | * | * | * |
| RP380-200-10-C | 200 | 10 | 0.10 | | | ✓ | * | * | * |
| RP380-200-10-S | 200 | 10 | 0.10 | | ✓ | | 6.60"(168) | 15.75"(400) | 4.50"(114) |
| RP380-200-10-W | 200 | 10 | 0.10 | ✓ | | | * | * | * |
| RP380-200-100-C | 200 | 100 | 1.00 | | | ✓ | * | * | * |
| RP380-200-100-S | 200 | 100 | 1.00 | | ✓ | | 6.60"(168) | 15.75"(400) | 4.50"(114) |
| RP380-200-100-W | 200 | 100 | 1.00 | ✓ | | | * | * | * |
| RP380-200-1000-C | 200 | 1000 | 10.00 | | | ✓ | * | * | * |
| RP380-200-1000-S | 200 | 1000 | 10.00 | | ✓ | | 6.60"(168) | 15.75"(400) | 4.50"(114) |
| RP380-200-1000-W | 200 | 1000 | 10.00 | ✓ | | | * | * | * |
| RP380-200-2000-C | 200 | 2000 | 20.00 | | | ✓ | * | * | * |
| RP380-200-2000-S | 200 | 2000 | 20.00 | | ✓ | | 6.60"(168) | 15.75"(400) | 4.50"(114) |
| RP380-200-2000-W | 200 | 2000 | 20.00 | ✓ | | | * | * | * |
| RP380-300-0-S | 300 | 0 | - | | ✓ | | 7.00"(178) | 21.54"(547) | 5.00"(127) |
| RP380-300-10-S | 300 | 10 | 0.15 | | ✓ | | 7.00"(178) | 21.54"(547) | 5.00"(127) |

ADDITIONAL MODEL NO. >>

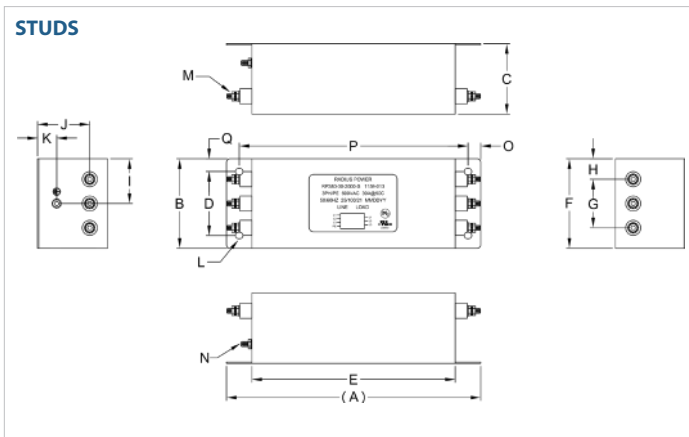
RP380

3 PHASE, DELTA POWER LINE FILTER, 600V

| MODEL NO. | RATED CURRENT, A @ 40° C | Y-CAP, nF | LEAKAGE CURRENT mA, @ 480V AC/60 Hz | TERMINAL OPTIONS | | | MAX. DIMENSIONS" (MM) | | |
|------------------|--------------------------|-----------|-------------------------------------|------------------|------------------|------------------|-----------------------|-------------|------------|
| | | | | (W) INPUT/OUTPUT | (S) INPUT/OUTPUT | (C) INPUT/OUTPUT | WIDTH | (LENGTH) | HEIGHT |
| RP380-300-100-S | 300 | 100 | 1.50 | | ✓ | | 7.00"(178) | 21.54"(547) | 5.00"(127) |
| RP380-300-1000-S | 300 | 1000 | 15.00 | | ✓ | | 7.00"(178) | 21.54"(547) | 5.00"(127) |
| RP380-300-2000-S | 300 | 2000 | 25.00 | | ✓ | | 7.00"(178) | 21.54"(547) | 5.00"(127) |

*Contact factory for dimensions.

RP380 MECHANICAL OUTLINES (MM)



| SERIES | (A) | B | C | D | E | F | G | H | I | J | K | L | M | N | O | P | Q |
|-----------------------------|-----------------|----------------|----------------|----------------|-----------------|----------------|---------------|---------------|---------------|----------------|---------------|-----------------------------|-----------------|------------------|---------------|-----------------|---------------|
| STUDS (15/30/50A) | 10.00" (254) | 3.50" (89) | 2.75" (70) | 2.50" (64) | 8.00" (203) | 3.50" (89) | 1.90" (48) | 0.80" (20) | 1.75" (44) | 2.05" (52) | 0.75" (19) | Ø0.29x0.25 Ø7.6x6.4, 4x | STUD, M5, 6x | STUD, GND, M5 | 0.50" (13) | 9.00" (229) | 0.50" (13) |
| STUDS (80A) | 12.36" (314) | 4.00" (102) | 3.25" (83) | 3.00" (76) | 10.00" (254) | 4.00" (102) | 2.00" (51) | 0.50" (13) | 2.00" (51) | 2.25" (57) | 1.00" (25) | Ø0.25x0.30" (Ø6.35x7.62) | STUD, M6, 8x | STUD, GND, M6 | 0.50" (13) | 11.00" (279) | 0.50" (13) |
| STUDS (100/150/200A) | 15.75" (400) | 6.60" (168) | 4.50" (114) | 5.12" (130) | 12.00" (330) | 6.60" (168) | 3.30" (84) | 1.65" (42) | 3.30" (84) | 3.50" (89) | 1.00" (25) | Ø0.30x0.60" (Ø7.62x15.2) | STUD, M6, 8x | STUD, GND, M6 | 0.51" (13) | 14.70" (374) | 0.74" (19) |
| STUDS (300A) | 21.54" (547) | 7.00" (178) | 5.00" (127) | 6.00" (154) | 18.00" (457) | 7.00" (178) | 3.50" (89) | 1.75" (44) | 3.50" (89) | 4.00" (102) | 1.00" (25) | Ø0.30x0.60" (Ø7.62x15.2) | STUD, M6, 8x | STUD, GND, M6 | 0.50" (13) | 19.00" (483) | 0.50" (13) |

TYPICAL TOLERANCE: +/-0.02" (0.50MM)

RP380

3 PHASE, **DELTA** POWER LINE FILTER, 600V

TYPICAL INSERTION LOSS, dB (50/50 Ohm)

| Amps | Freq (MHz) | 0.15 | 0.5 | 1.0 | 10 | 30 |
|------|------------|------|-----|-----|----|----|
| 15 | CM (dB) | 55 | 65 | 65 | 52 | 40 |
| | DM (dB) | 55 | 65 | 70 | 70 | 60 |
| 30 | CM (dB) | 55 | 65 | 65 | 52 | 40 |
| | DM (dB) | 55 | 65 | 70 | 70 | 60 |
| 50 | CM (dB) | 50 | 65 | 65 | 52 | 40 |
| | DM (dB) | 50 | 60 | 65 | 70 | 55 |
| 80 | CM (dB) | 45 | 55 | 55 | 50 | 40 |
| | DM (dB) | 50 | 55 | 60 | 50 | 30 |
| 100 | CM (dB) | 60 | 65 | 65 | 50 | 30 |
| | DM (dB) | 50 | 60 | 60 | 50 | 30 |
| 150 | CM (dB) | 55 | 60 | 60 | 50 | 30 |
| | DM (dB) | 45 | 55 | 60 | 50 | 30 |
| 200 | CM (dB) | 50 | 55 | 55 | 45 | 30 |
| | DM (dB) | 45 | 55 | 55 | 50 | 30 |
| 300 | CM (dB) | 50 | 55 | 55 | 42 | 30 |
| | DM (dB) | 45 | 50 | 50 | 40 | 30 |