

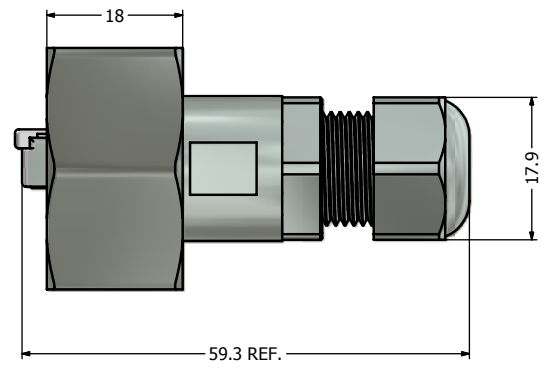
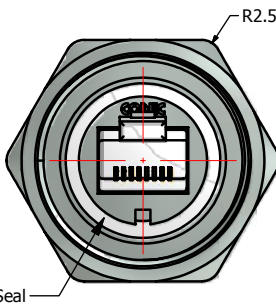
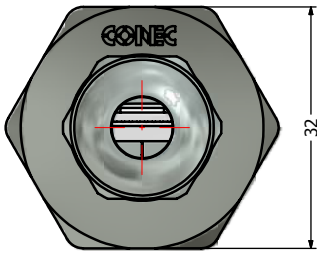
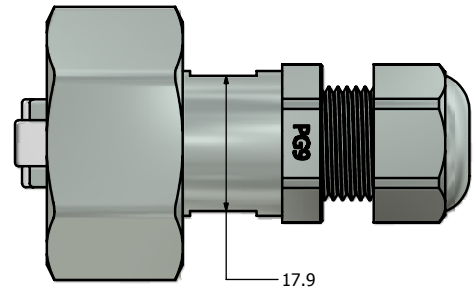
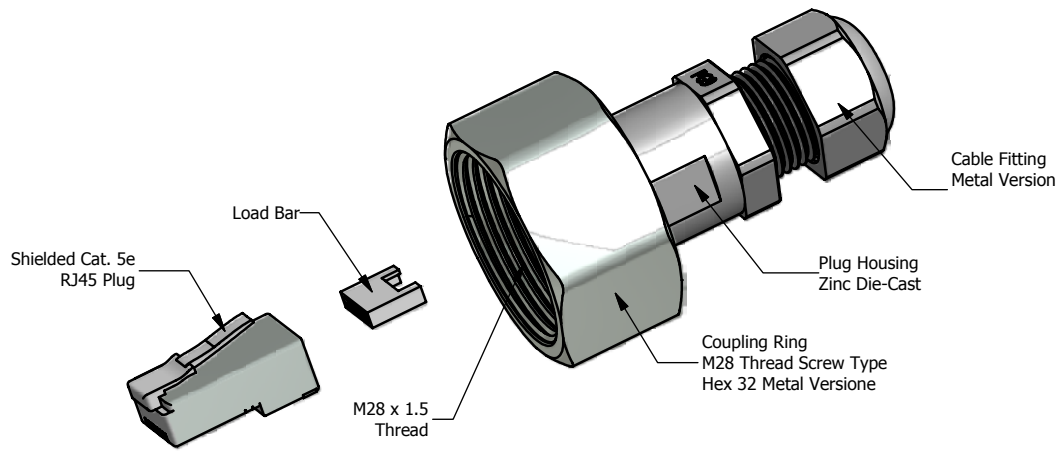
6 5 4 3 2 1

D

C

B

A



**Notes:**

1. Electrical Specifications:
  - Meets EIA/TIA-568-B.2 Cat.5e Specification
  - Contact Resistance: 20mOhm max.
  - Insulation Resistance: 500MOhm min. @ 100 VDC
  - Current Rating: 1.2A max. at 25°C
  - Working Voltage: 100 VDC
  - DWV: 1000 VDC/60s Contact to Contact, 1500 VDC/60s Contact to Metal Shell
  - Operating Temperature: -40°C to +85°C
2. Material and Finish:
  - Metal Hex Coupling Ring: Brass, Nickel Plated
  - Plug Housing: Zinc Die-Cast, Nickel Plated
  - Interfacial Seal: Silicon, Color: White
  - Cable Fitting: Brass, Nickel Plated
  - Cable Fitting Rubber Ring: NBR, Color: Black
  - RJ45 Plug Metal Shell: Copper Alloy, Nickel Plated
  - RJ45 Plug Plastic Housing: Clear Polycarbonate UL94 V-2
  - RJ45 Plug Contacts: Phosphor Bronze, Finish: 50u" Gold min. over Nickel
3. RJ45 Plug accepts both Stranded and Solid Cables with Outer Diameter of 4.83mm to 6.73mm
4. Cable Gland accepts Cable Outer Diameter Range of 4.5mm to 8mm
5. IP67 rated when fully mated with appropriate mating connector
6. RoHS compliant

Directive 2002/95/EC RoHS Compliant

THIS DRAWING MAY NOT BE COPIED, OR REPRODUCED IN ANY WAY AND MAY NOT BE PASSED ON TO A THIRD PARTY WITHOUT WRITTEN PERMISSION. OWNERSHIP AND COPYRIGHT OF CONEC CORPORATION. <b>DO NOT ALTER CAD DRAWING BY HAND</b>	Customer:			Tolerance Unless otherwise specified			Scale: 1.5:1	Dim. in mm
	Name	Title	Approval Date	0 PLC ±0.50	1 PLC ±0.38		Material: See Notes	
				2 PLC ±0.25	3 PLC ±0.10	Title: RJ45 Plug Kit (Full Metal Version)		
				ANGLES ±3°		with HEX 32 M28 Coupling Ring and with shielded Cat. 5e RJ45 Plug		
				2010	Date	Name	Drawing No.: 17K1A160	
				Draw.	Feb. 24	Vincent Ke	DIN A3	
				Appd.	Feb. 24	J. Chaudry	Sheet 1/1	
				Norm			Part No.: 17-101864	
				D-old				
		b	Jul/06/2011	Vincent ke				
	a	original						
	Rev.	Changes	Date	Name				



6 5 4 3 2 1