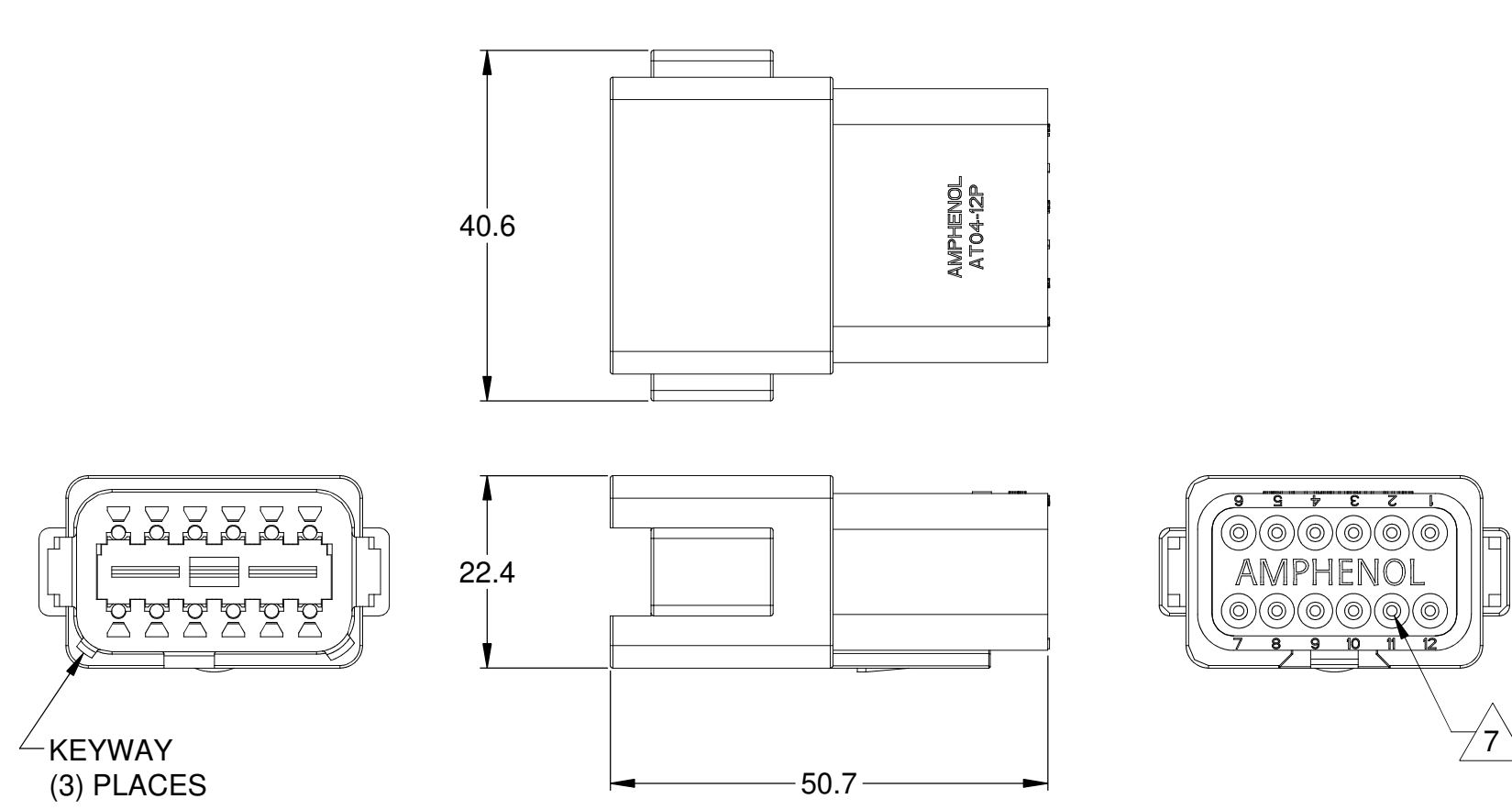
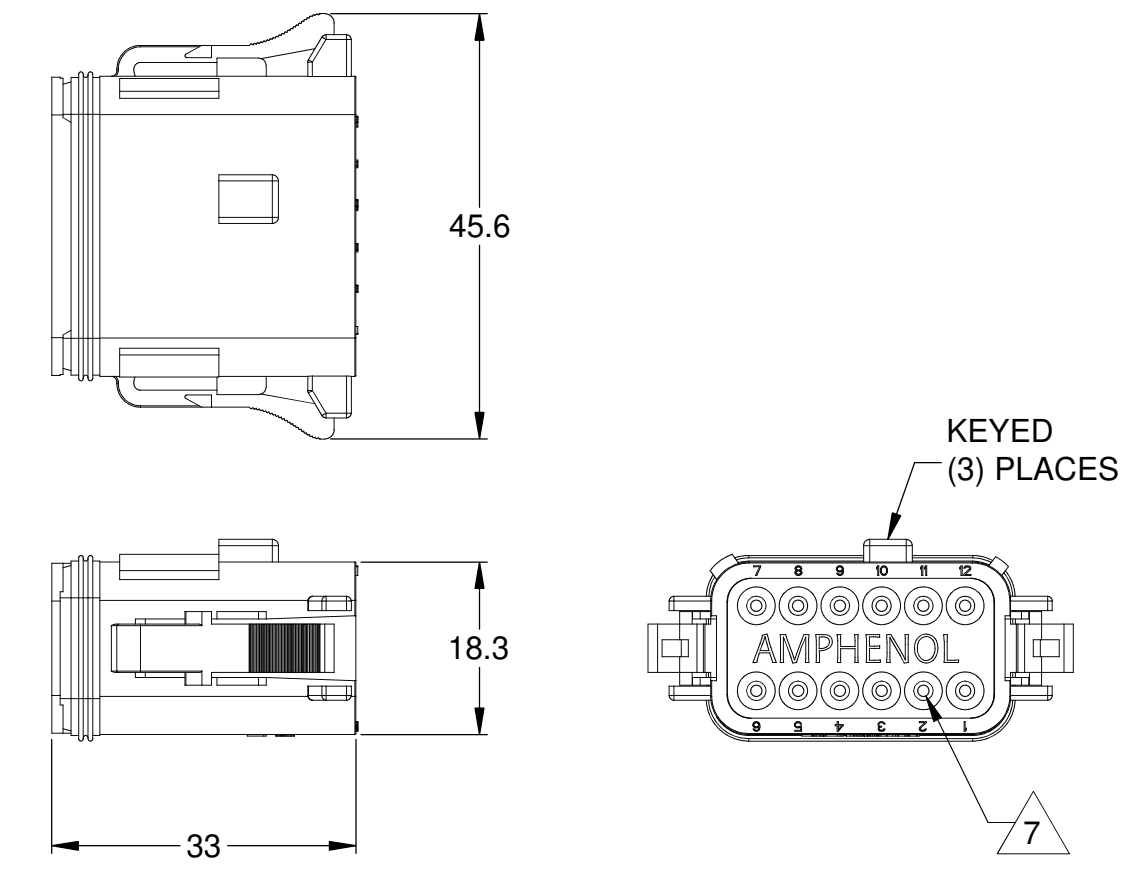


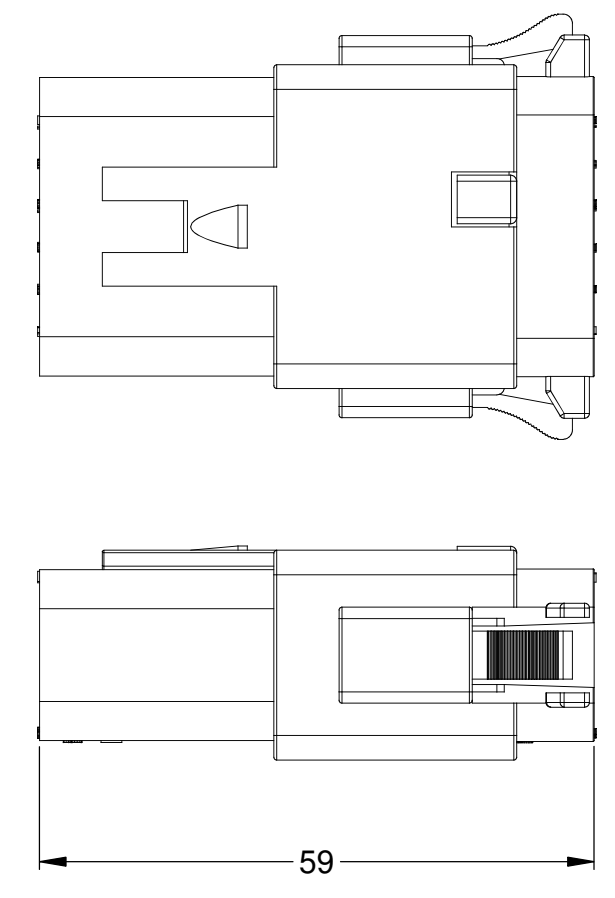
REVISIONS					
REV	ECO	DESCRIPTION	DATE	BY	APPR
A	-	RELEASE	30SEP13	DRP	-



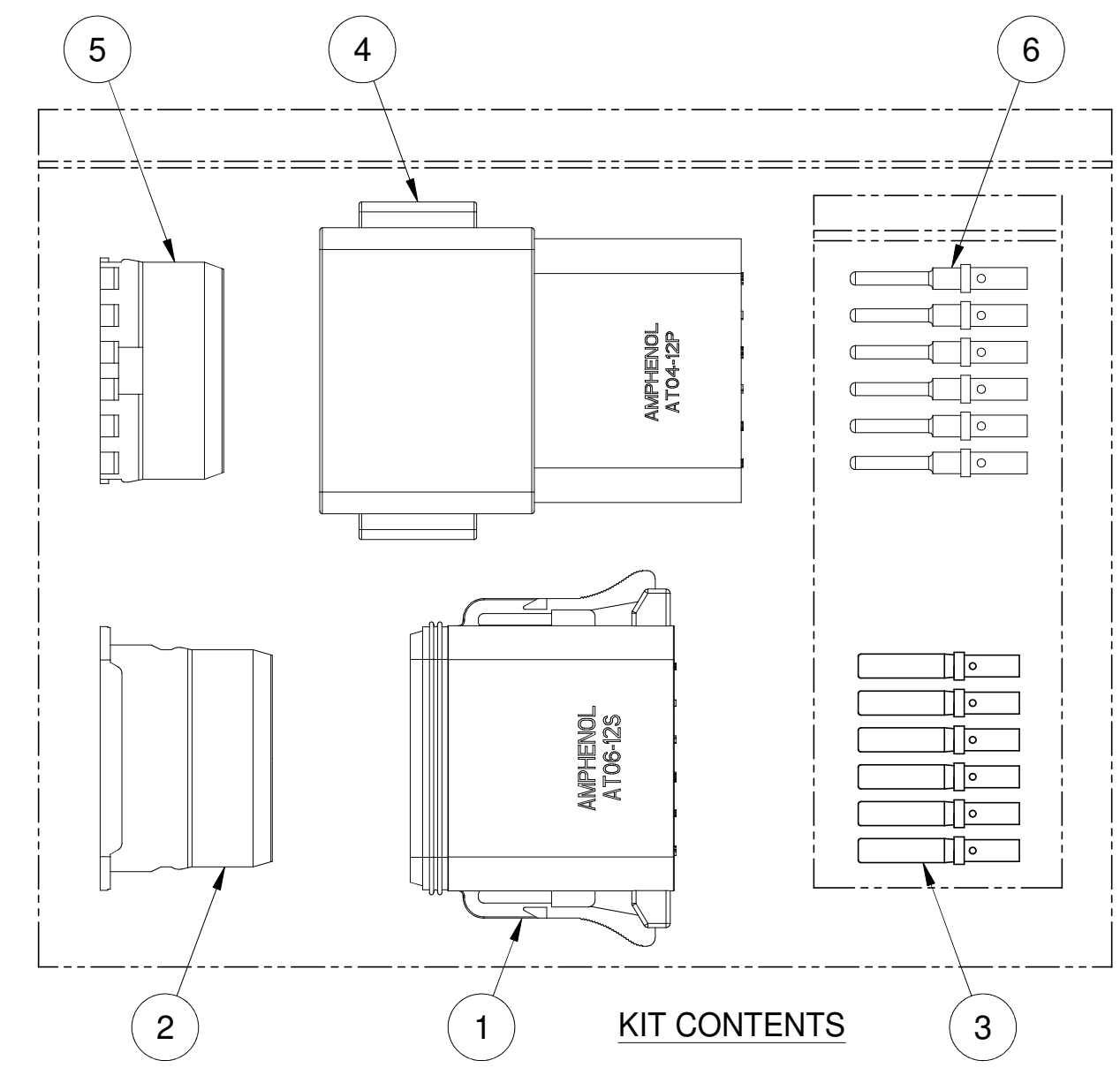
REFERENCE DIMENSIONS - ASSEMBLED RECEPTACLE



REFERENCE DIMENSIONS - ASSEMBLED PLUG



ASSEMBLED PLUG AND RECEPTACLE



KIT CONTENTS

NOTES: UNLESS OTHERWISE SPECIFIED

- MATERIAL:
  - HOUSING: THERMOPLASTIC; COLOR: GREY
  - WEDGELOCK: THERMOPLASTIC; COLOR: GREEN
  - SEALS: SILICONE RUBBER
  - CONTACTS: COPPER ALLOY; NICKEL PLATED
- SPECIFICATIONS:
  - 2.1 CURRENT RATING: 13 AMPS
  - 2.2 OPERATING TEMPERATURE: -55°C TO +125°C
  - 2.3 DIELECTRIC WITHSTANDING VOLTAGE: LESS THAN 2 MILLIAMPS CURRENT LEAKAGE @ 1500 VOLTS AC.
  - 2.4 INSULATION RESISTANCE: 1000 MEGOHMS MIN @ 25°C.
  - 2.5 CONTACT MILLIVOLT DROP: 60 MILLIVOLT DROP @ 13 AMP TEST CURRENT.
  - 2.6 MOISTURE RESISTANCE: IP67 ( MATED CONDITION )
  - 2.7 CONNECTOR MATING CYCLE DURABILITY: 100 CYCLES

- AVAILABLE HAND CRIMPER: CA-5D12
- ALL COMPONENTS ARE RoHS COMPLIANT.
- ALL DIMENSIONS ARE FOR REFERENCE USE ONLY.

6 WIRE RANGE OF CONTACTS INCLUDED IN KIT: 16 - 20 AWG

7 CONTACT SIZE AND REAR SEAL WIRE RANGE:

CONTACT SIZE	MIN. INSUL. O.D.	MAX. INSUL. O.D.	TYPICAL WIRE RANGE
16	2.24 mm (.088 in)	3.68 mm (.145 in)	14 - 20 AWG

6	12	AT60-202-16141	CONTACT, PIN, SOLID, SIZE 16, 16-20 AWG	6
	1	AW12P	P-WEDGELOCK, 12 POSITION, AT SERIES	5
	1	AT04-12PA	RECEPTACLE, 12 PIN, AT SERIES	4
6	12	AT62-201-16141	CONTACT, SOCKET, SOLID, SIZE 16, 16 - 20 AWG	3
	1	AW12S	S-WEDGELOCK, 12 POSITION, AT SERIES	2
	1	AT06-12SA	PLUG, 12 SOCKET, AT SERIES	1
	QUANTITY	PART NUMBER	DESCRIPTION	ITEM

**MATERIALS LIST**

UNLESS OTHERWISE SPECIFIED  
 1) All dimensions are in metric(mm).  
 2) Tolerances are as follows:  
 1 PL DEC ±0.30 Fractions ±1/64  
 2 PL DEC ±0.15 Angles ±1°  
 3 PL DEC ±0.08  
 3) Note reference =

SIGNATURES: DRAWN: D.PARKS DATE: 30SEP13  
 CHECKED: ENGINEER: APPROVAL: CUSTOMER:

MATERIAL SPECIFICATIONS: PROCESS SPECIFICATIONS: NEXT ASSY:

**Amphenol**  
 Sine Systems - www.amphenol-sine.com  
 44724 Morley Drive  
 Clinton Township, MI 48036

KIT, AT SERIES, 12 POS. PLUG, RECEPTACLE, CONTACTS, AND WEDGELOCKS

THIS DRAWING IS SUPPLIED FOR INFORMATION ONLY. DESIGN FEATURES, SPECIFICATIONS AND PERFORMANCE DATA SHOWN HEREON ARE THE PROPERTY OF THE AMPHENOL CORPORATION. NO RIGHTS OF REPRODUCTION ARE IMPLIED. ALL DIMENSIONS ARE SUBJECT TO NORMAL MANUFACTURING VARIATIONS.

SIZE: C TYPE: C- DWG NO: AT12PS-CKIT REVISION: A  
 SCALE: NONE SHEET 1 OF 1

TITLE: KIT, AT SERIES, 12 POS. PLUG, RECEPTACLE, CONTACTS & WEDGELOCKS  
 DWG NO: AT12PS-CKIT  
 REV: A  
 SH: 1  
 OF: 1