

Ratings

Voltage: 300 V
 Temperature
 Static: -40 to 105 °C
 Dynamic: -20 to 105 °C
 Flammability: VW-1
 Water resistant: 75 °C
 Oil resistant: 60 °C (jacket)
 ≥50% elongation and tensile strength after aging
 UV resistance: jacket, 720 hours xenon or carbon arc exposure
 ≥80% tensile strength and elongation after aging

Conductor

Conductor count: 8
 Gauge: 30 AWG 0.05 mm²
 Material: tinned copper strands
 Strand size: Ø 0.1 mm x 7
 Resistance at 20 °C: 381 Ω /km Max

Insulator

Material: PVC
 Color: red, black, white, yellow, blue, green, orange, purple
 Diameter: Ø 1.1 ±0.10 mm
 Nominal thickness: 0.38 mm
 Resistance at 20 °C: 10 MΩ /km Min

Filler

Material: cotton rope

Drain

Stranding: Ø 0.1 mm x 7
 Material: tinned copper strands

Shield

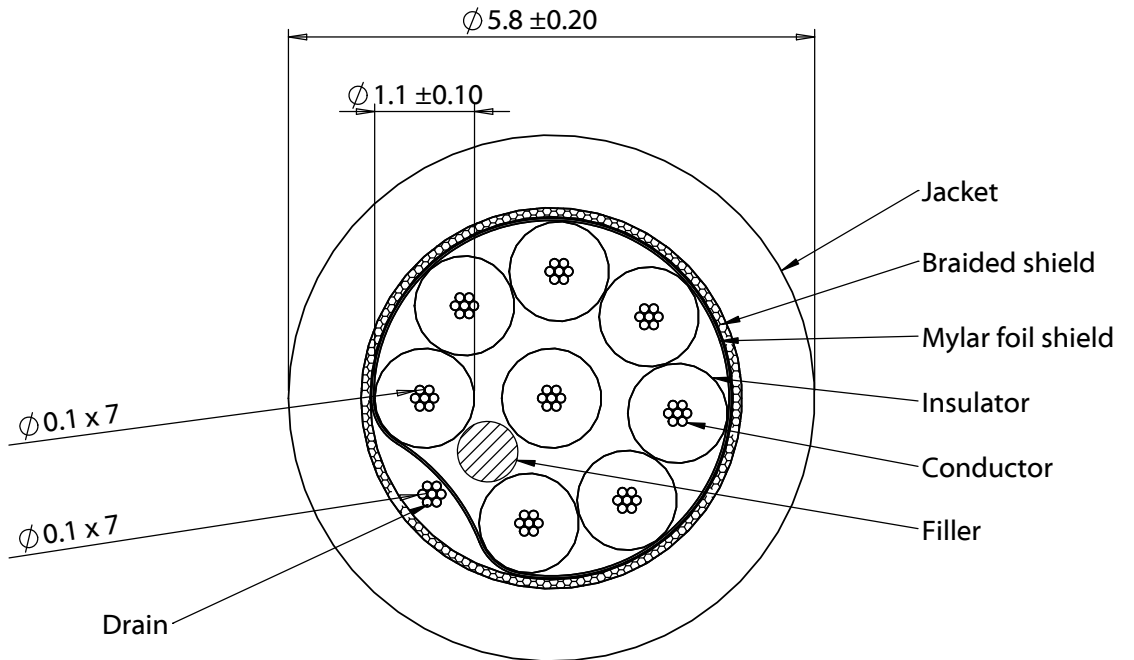
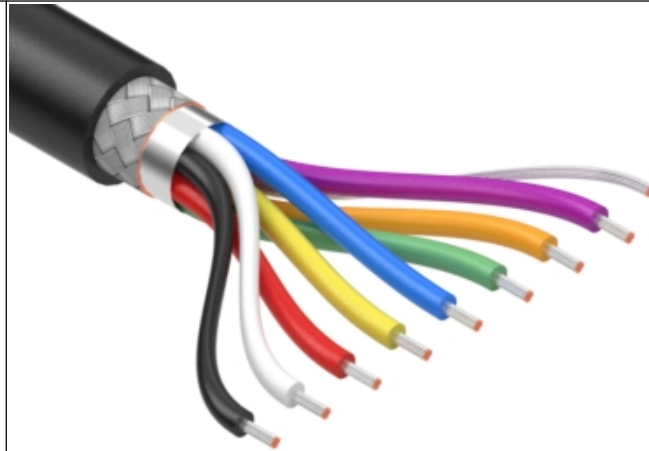
Type: aluminum mylar + tinned copper braid
 Coverage: 65% min braid, 100% foil
 Braid stranding: Ø0.10 mm

Outer jacket

Material: PVC, 80A
 Color: black
 Diameter: Ø 5.8 ±0.20 mm
 Nominal thickness: 0.78 mm

Wire marking: E339579 UL AWM STYLE 20387 30 AWG 105°C
 300V VW-1 60°C OIL RESISTANT UV RESISTANT TENSILITY

Use: External wiring



Revision:	Date:	Description:
A	8/25/2020	Initial release

Prepared:
JC
Digitally signed by JC
 Date: 2020.08.28
 11:54:27 -07'00'

Verified:
AW
Digitally signed by AW
 Date: 2020.08.28
 14:34:38 -07'00'

Dimensions are in millimeters.
 Tolerances:
 X: ± 0.5 mm
 X.X: ± 0.3 mm
 X.XX: ± 0.05 mm

Notes:
 RoHS compliant
 Function test: no open, no short circuit, no intermittent

Description:
 Wire, 8C TS, 30 AWG, UL20387, 300V, 105C, 60C oil, UV, 5.8 mm, shielded, VW-1, PVC, 80A, black

TENSILITY

tel 1.541.323.3228 800 877.670.7118
 fax 1.541.323.4202 web tensility.com

Size:	Part number:
A	30-01614
Scale: 12:1	Sheet 1 of 1