

D see data sheet cable

Technical specification:

Rated voltage: 4,75 - 5,25 V DC
 Degree of protection: IP 67 with M12x1
 IEC 60529 IP 40 with D-Sub
 Temperatur range: -25°C ... +60°C
 IEC 60664-1
 Mating cycles: >=100
 IEC 60512-9a
 D-Sub male connector: with connectable
 terminal resistor

Materials:

M12x1:

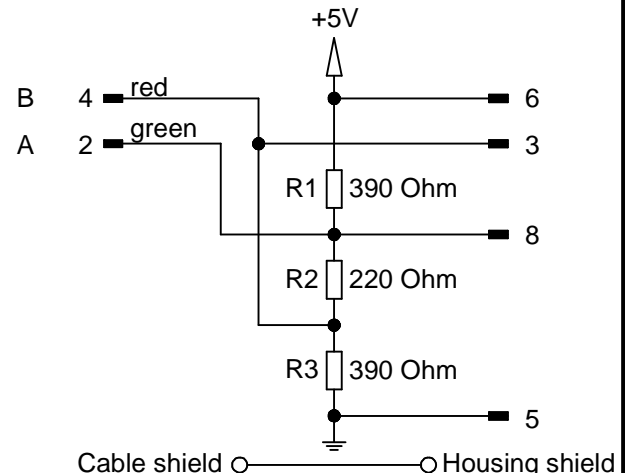
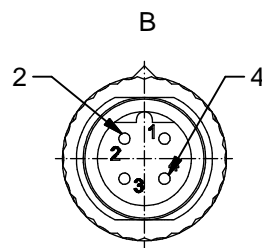
Contact: CuZn
 Contact plating: Nickel, gold plated
 Contact carrier: PBT GF, UL 94
 Sealing: FPM
 Coupling screw: GD-Zn, nickel plated
 Moulding body: TPU, UL 94,
 grey

D-Sub:

Housing: Thermoplastic, chromed
 Contact: IDC-contact CuSn, CuZn

Installation specification:

Recommended torque: 0,6 Nm
 Conec installation tool: Torque wrench:
 36-000200
 Insert across flats 13:
 36-000220



| Part no: | Description: | Length L: | Cable: |
|----------|---|-----------|--|
| 43-11744 | SAL - DS - SKSW9 - 12B - RS4.1 - 2 / G4 | 2m | TPU, UL, violet, 2xAWG22 Cable: 781-G43200 |
| 43-11745 | SAL - DS - SKSW9 - 12B - RS4.1 - 3 / G4 | 3m | |
| 43-11746 | SAL - DS - SKSW9 - 12B - RS4.1 - 5 / G4 | 5m | |

DO NOT ALTER CAD DRAWING BY HAND
 Directive 2002/95/EC RoHS compliant
 Index: a 02.03.11 VF Ä3767
 Coupling screw modified, spanner flats
 added, data sheet modified
 tolerance of cable: L ≤ 4m: L + 40mm
 L > 4m: L + 1%
 THIS DRAWING MAY NOT BE COPIED OR
 REPRODUCED IN ANY WAY, AND MAY NOT
 BE PASSED ON TO A THIRD PARTY WITHOUT
 WRITTEN PERMISSION.
 OWNERSHIP AND COPYRIGHT OF CONEC GmbH

dim. in mm

| | |
|----------------|---------|
| date | name |
| drawn 06.03.08 | Franz |
| appd. 29.04.08 | Schmidt |

CONEC®

title:
**Connecting cable, M12x1 - D-Sub
 9pos angled with terminal resistor,
 PDP**
 dwg no:
43K1A643
 part no:
 see table