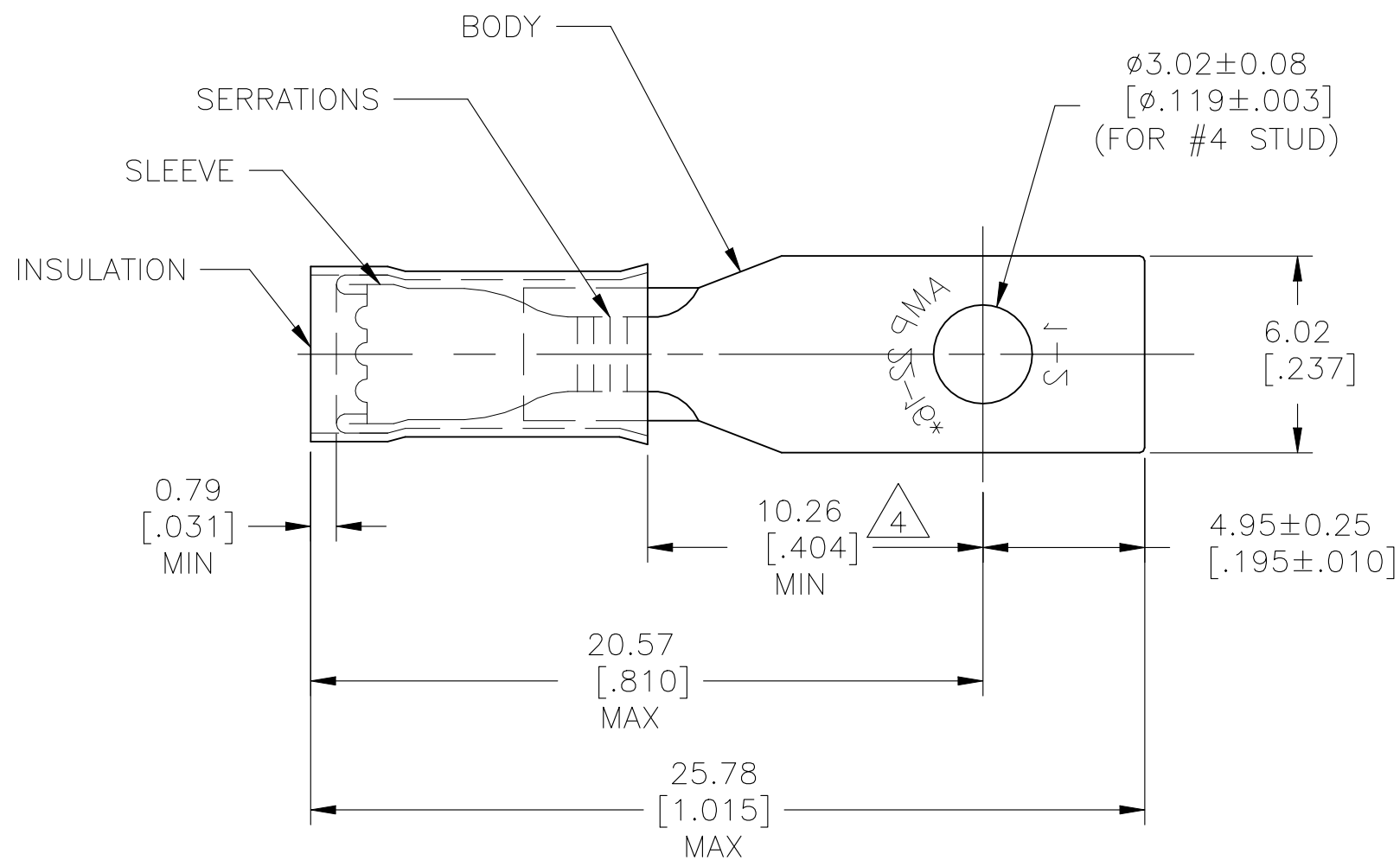


REVISIONS				
P	LTR	DESCRIPTION	DATE	APVD
	K3	REVISED PER ECN-22-156403	06JUN2022	RK CSD



- 1 TONGUE MATERIAL THK = 0.79 ± 0.05 [$.031 \pm .002$]
- 2 FOR 2.67 [.105] TO 3.56 [.140] WIRE INSULATION DIA
- 3 MARKING 22-18 FOR MILITARY COMMERCIAL RANGE 22-16
- △4 APPLIES FROM THE METAL EDGE OF THE BARREL TO THE CENTER OF THE STUD
- △5 MEETS MS17143-16, CLASS 1

QTY	DESCRIPTION	MATERIAL & FINISH	PART NO
1	2-327962-1 ON TAPE	BODY & SLEEVE: COPPER (ASTM-B152) TIN PL (ASTM-B545)	2-327962-3
1	WIRE TERMINAL	INSULATION: NYLON (ASTM-D4066) TYPE 1, COLOR: RED	2-327962-1
1	327962 ON TAPE	BODY: COPPER (ASTM-B152) TIN PL (ASTM-B545)	2-327962-2
1	WIRE TERMINAL	SLEEVE: COPPER (ASTM-B152) INSULATION: NYLON COLOR: RED	△5 327962

THIS DRAWING IS A CONTROLLED DOCUMENT.		DWN RAGHAVENDRA 01SEP09	STE TE Connectivity	
		CHK JEFF RUTH 01SEP09		
DIMENSIONS: mm [INCHES]		APVD TOM MICHIELUTTI 01SEP09	NAME	
TOLERANCES UNLESS OTHERWISE SPECIFIED:		PRODUCT SPEC	WIRE TERMINAL	
0 PLC ± -		APPLICATION SPEC	PIDG - RECTANGULAR TONGUE	
1 PLC ± -		WEIGHT -	WIRE SIZE: 22-16	
2 PLC ± -		MATERIAL SEE TABLE	SIZE A3	RESTRICTED TO -
3 PLC ± 0.20 [.008]			CAGE CODE 00779	
4 PLC ± -		FINISH SEE TABLE	DRAWING NO C-327962	
ANGLES ± 5°		CUSTOMER DRAWING		SCALE 5:1
		SHEET 1 OF 1		REV K3