



**Electrical Specifications**

**Center Frequency:** 90.51 MHz  
**3dB Passband:** 76.2-107.8 MHz  
**Insertion Loss:** 3.0dB Max.  
**Return Loss:** 14.0dB Min.  
**Rejection1:** 40dB Min @ 64.4 MHz  
**Rejection2:** 40dB Min @ 127.5 MHz  
**Power Handling:** 10 W  
**Input/output Impedance:** 50 Ohms

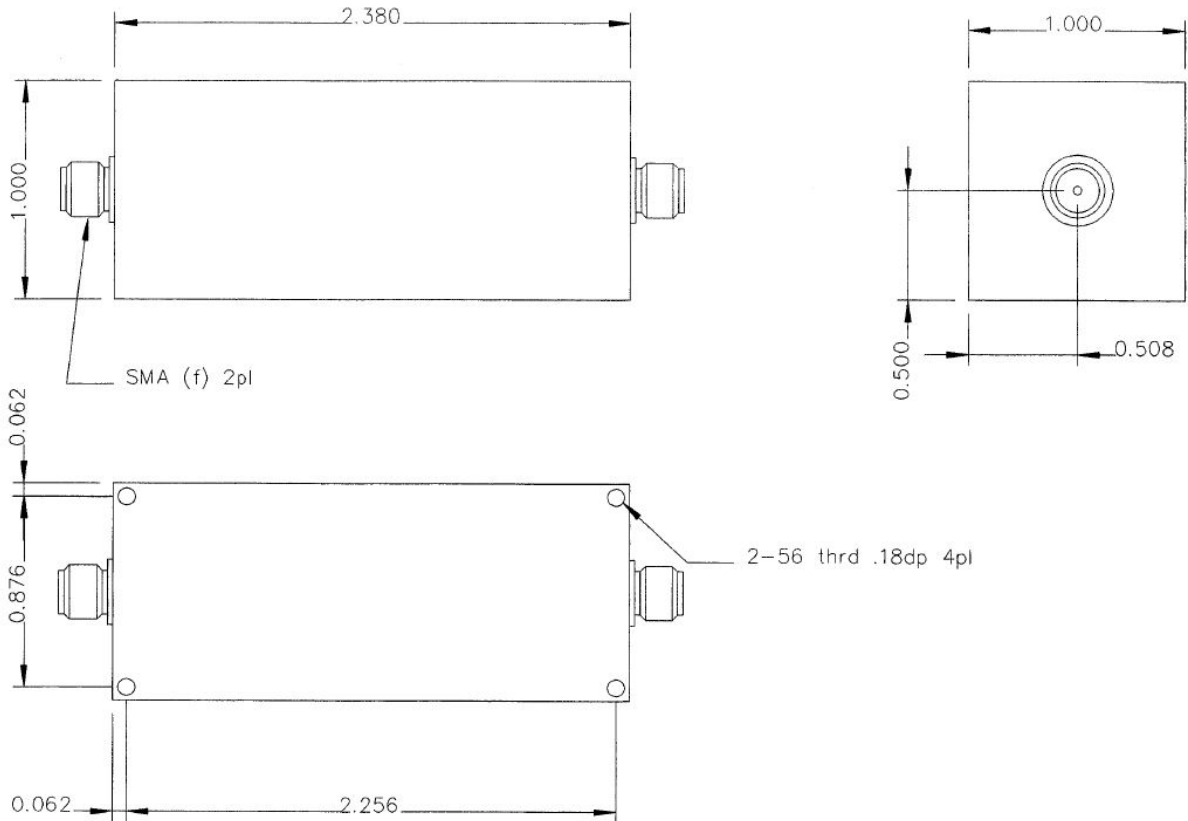
**Mechanical**

**Mounting Method:** Threaded Holes  
**Connector Type:** SMA(F)  
**Dimensions:** 2.38" X 1.0" x 1.0".

**Environmental**

**Operating Temperature:** -25°C to +70°C  
**Storage Temperature:** -40°C to +90°C  
**Shock:** 10 G. 11ms  
**Vibration:** 10 G. 5 to 200Hz

**Outline Drawing:**



Tolerance: +/-0.01 inches [+/- 0.3mm]

Angles: +/- 1 Deg.

\*Tolerance as shown unless otherwise specified in the datasheet electrical specification tables above.

\*When max dimensions are called out the above tolerances do not apply as long as it is under the max call out.



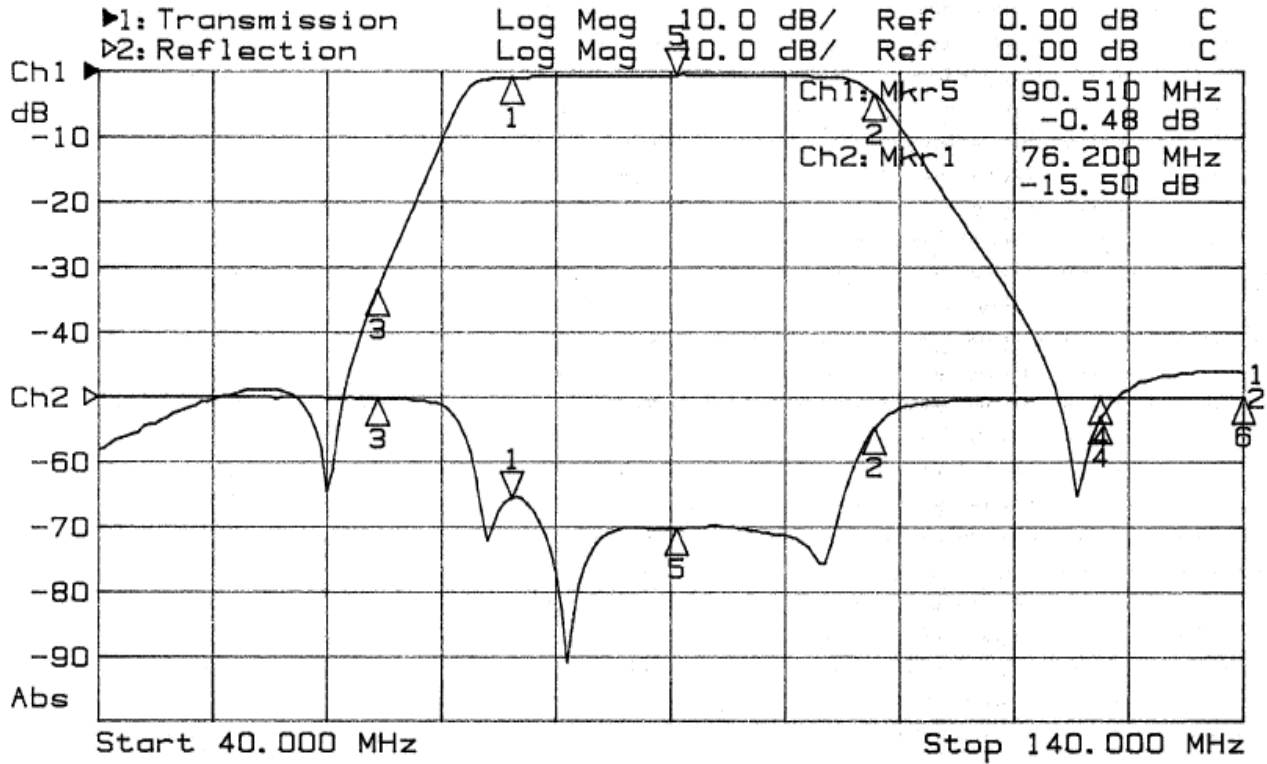
**ANATECH ELECTRONICS INC**  
RF & Microwave Filters & Products

# 90.51 MHz LC Band Pass Filter

**Part Number: AE90.51B5453**



## Response Plot:



1: Mkr (MHz)	dB	2: Mkr (MHz)	dB
1: 76.20	-0.94	1> 76.20	-15.50
2: 107.80	-3.48	2: 107.80	-4.73
3: 64.40	-33.47	3: 64.40	-0.26
4: 127.50	-53.19	4: 127.50	-0.12
5> 90.51	-0.48	5: 90.51	-20.26
		6: 140.00	-0.01