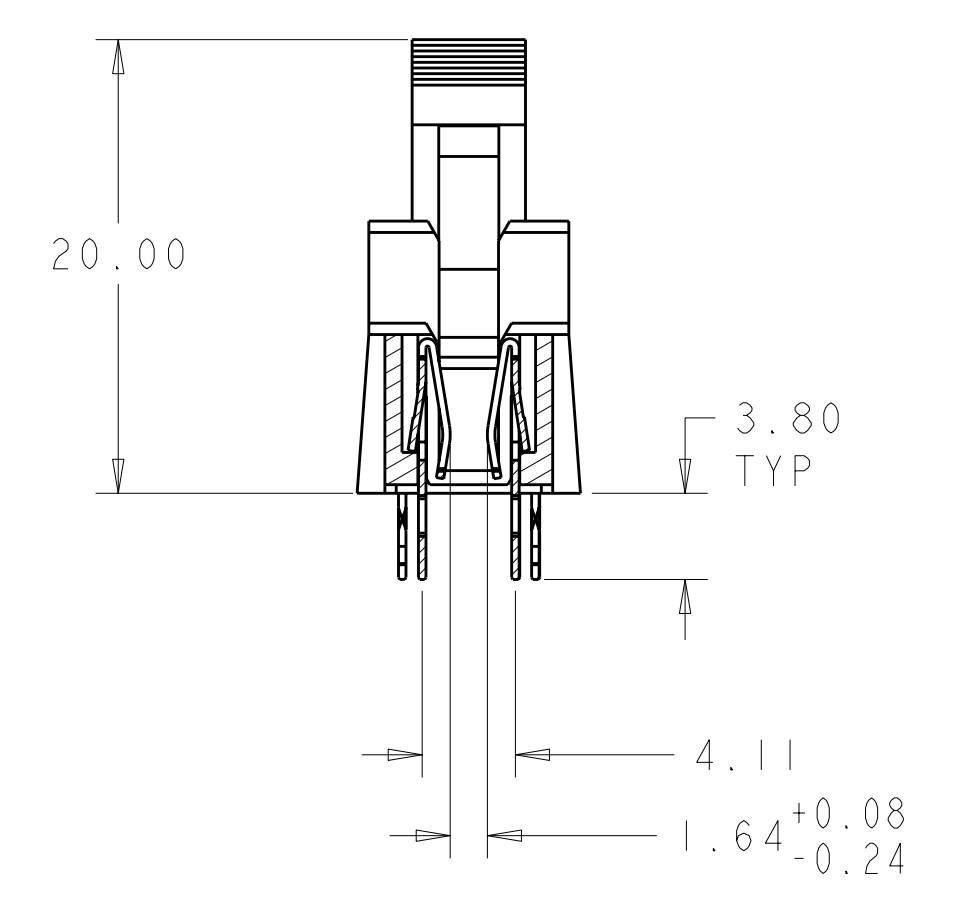
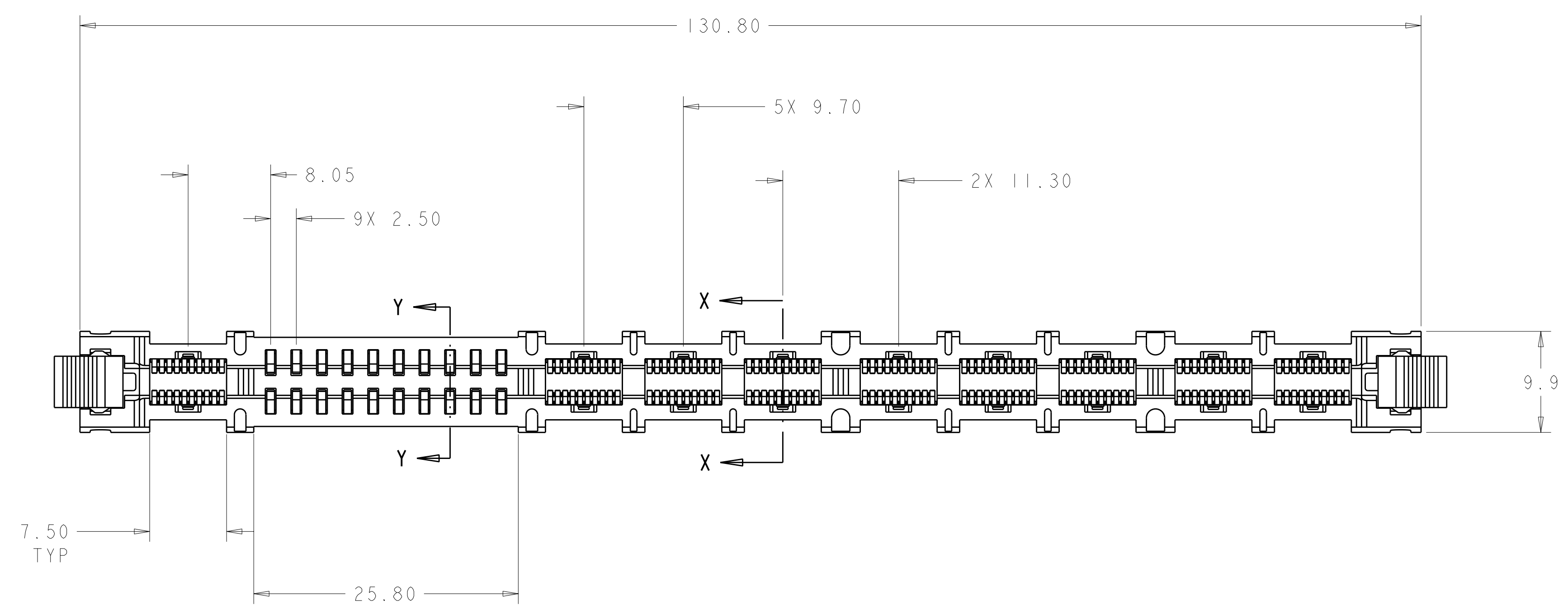
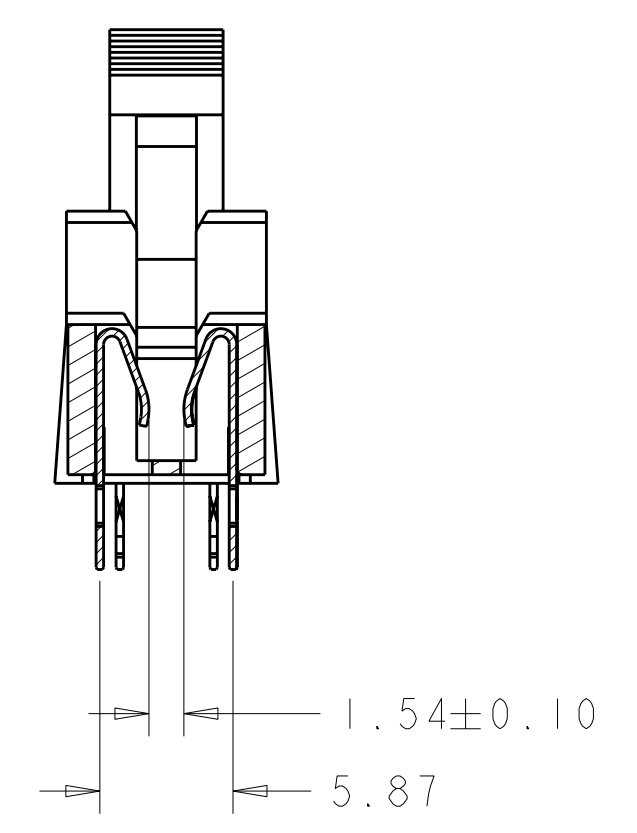
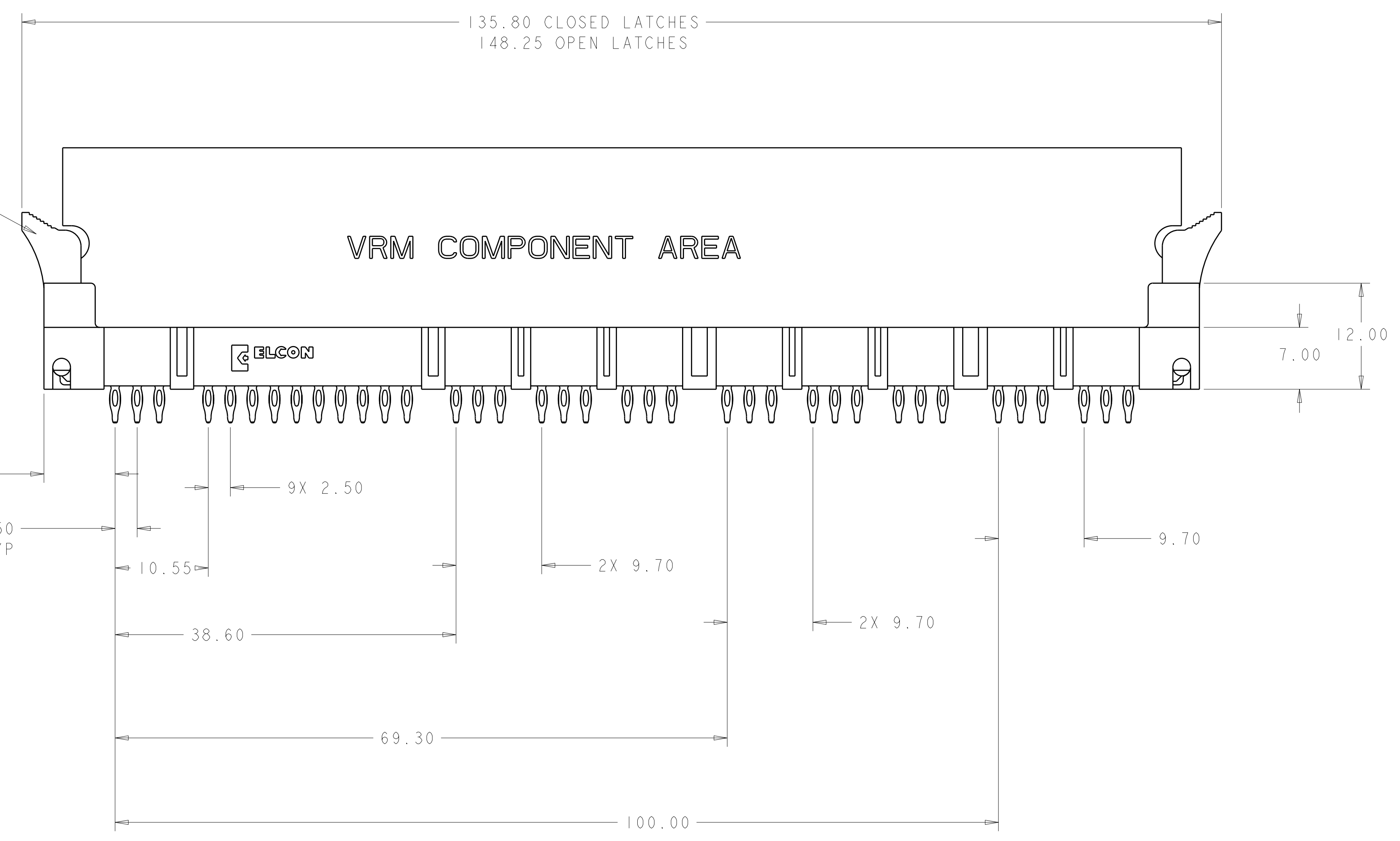




LOC	DIST	REV	DATE	BY	APPD
-	-	1	-	-	-
REVISIONS			DESCRIPTION	DATE	DWN
-	-	1	SEE SHEET 1	-	-



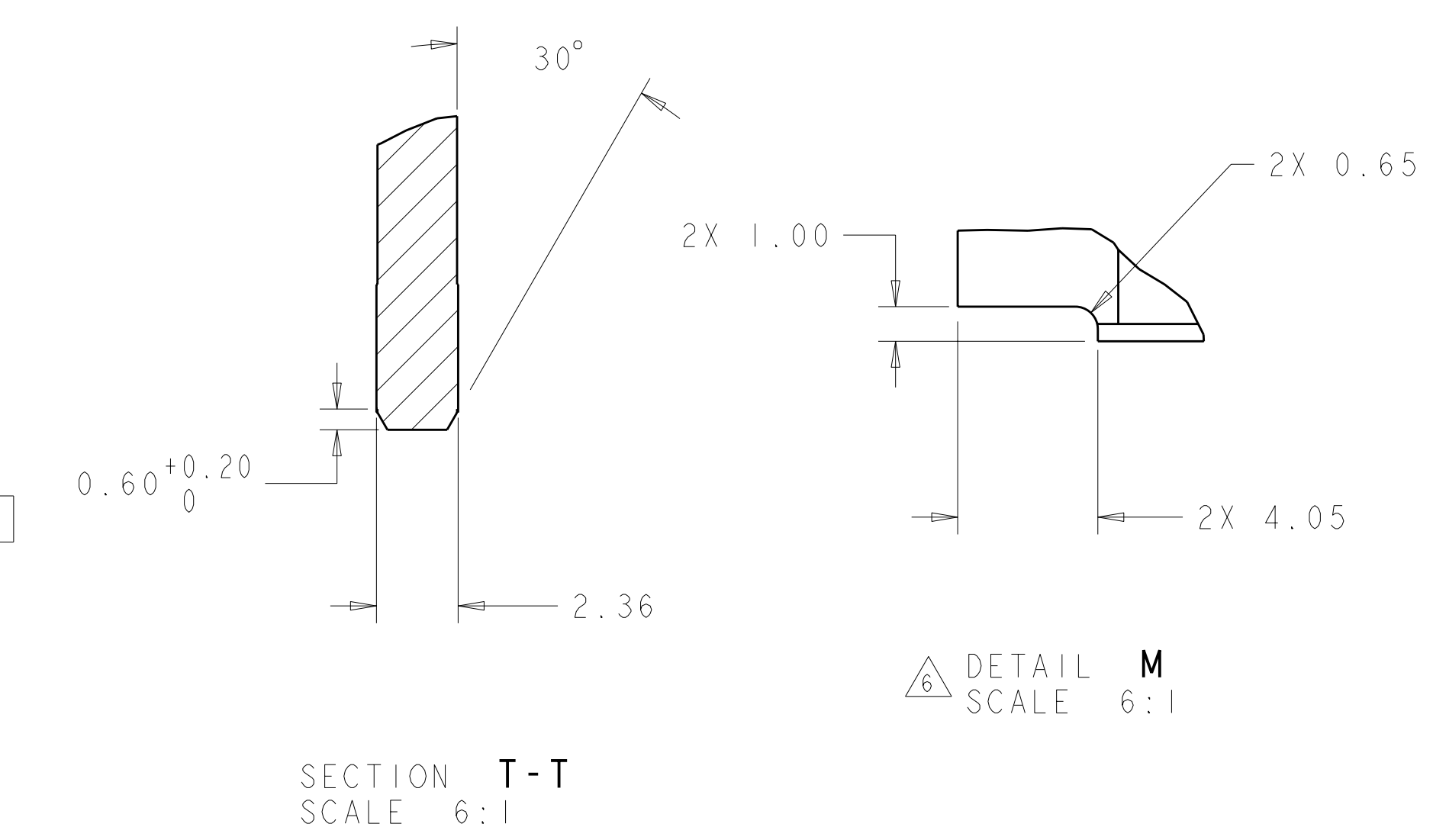
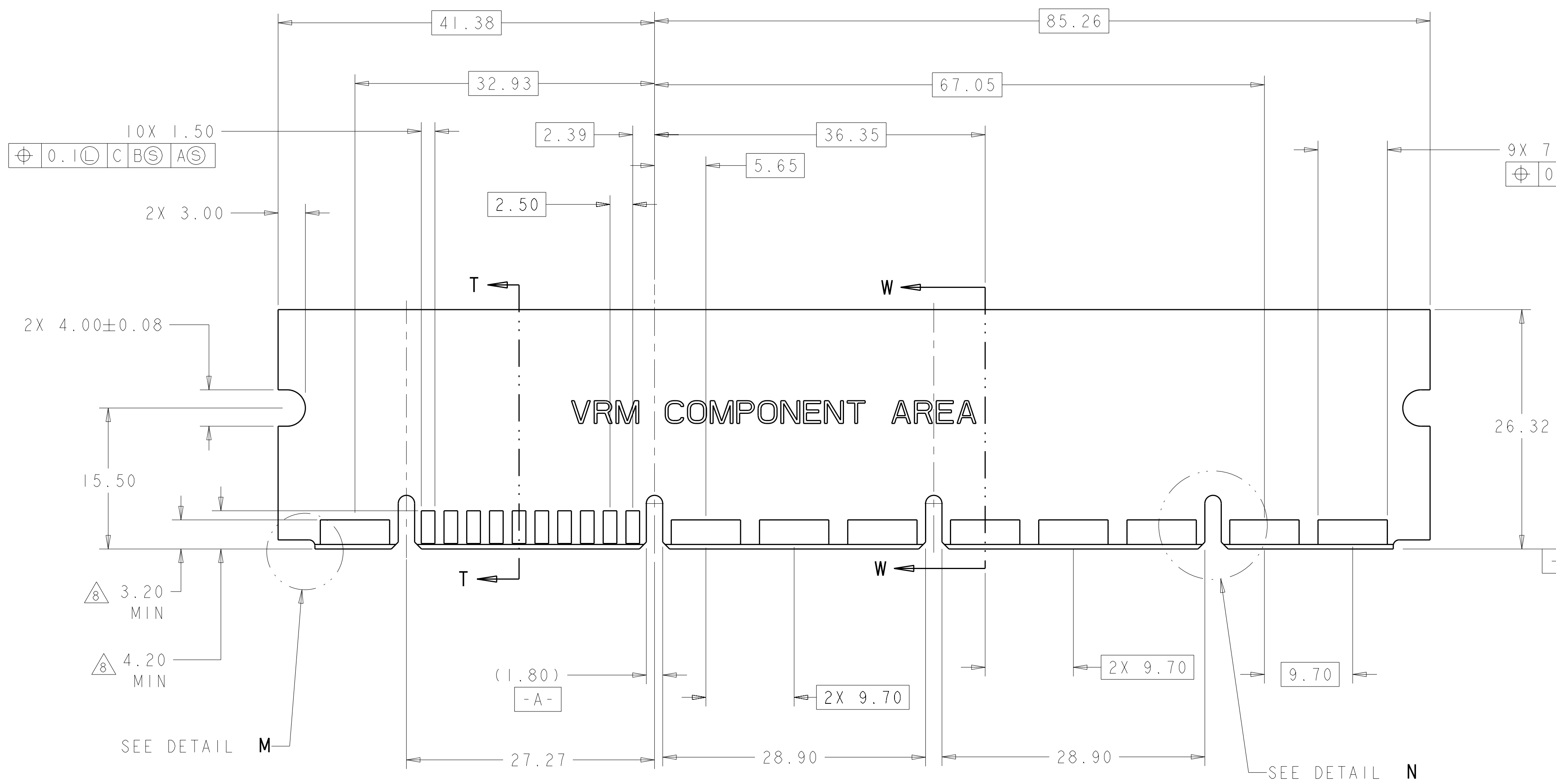
SECTION X-X  
 ROTATED 90° CW



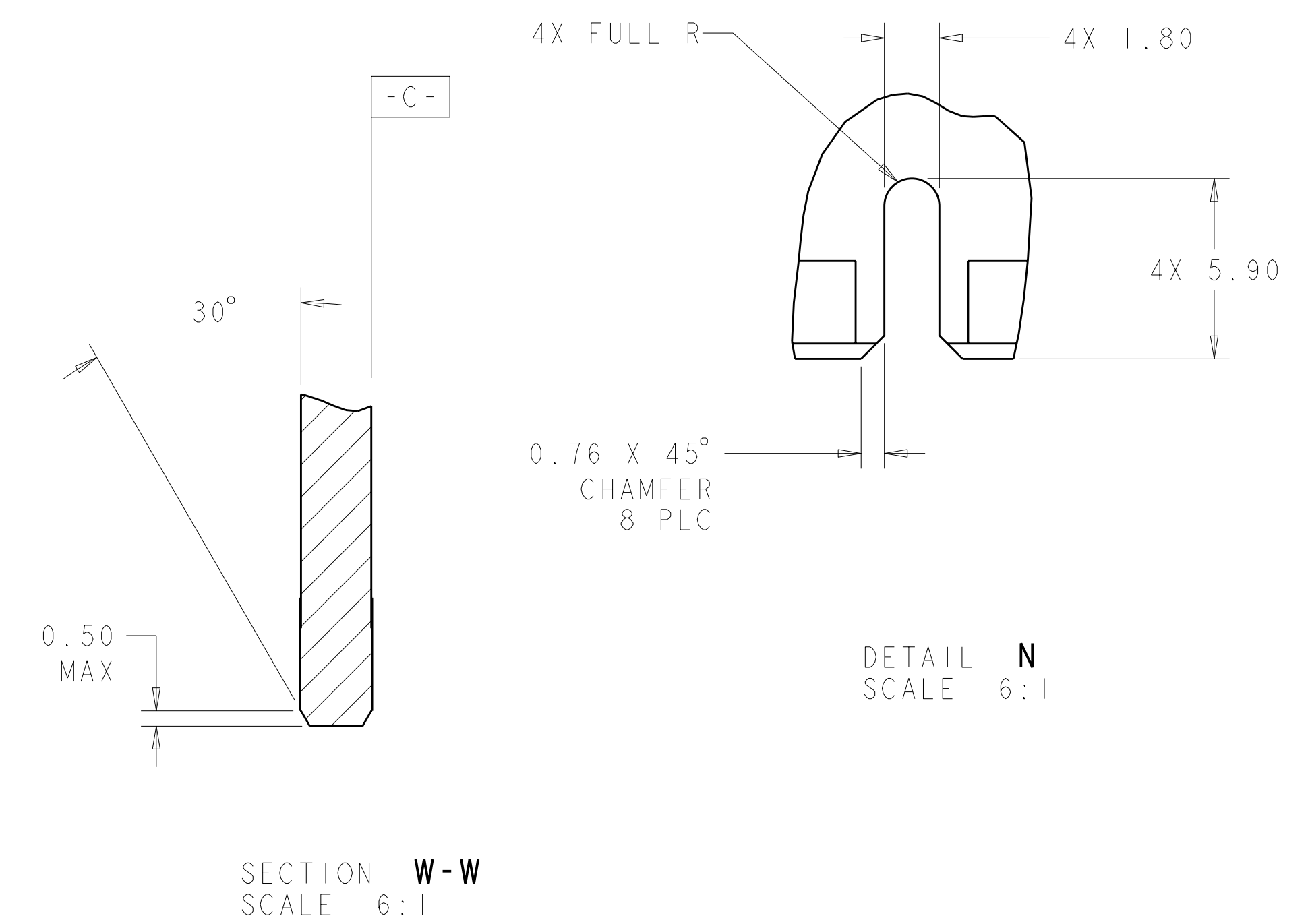
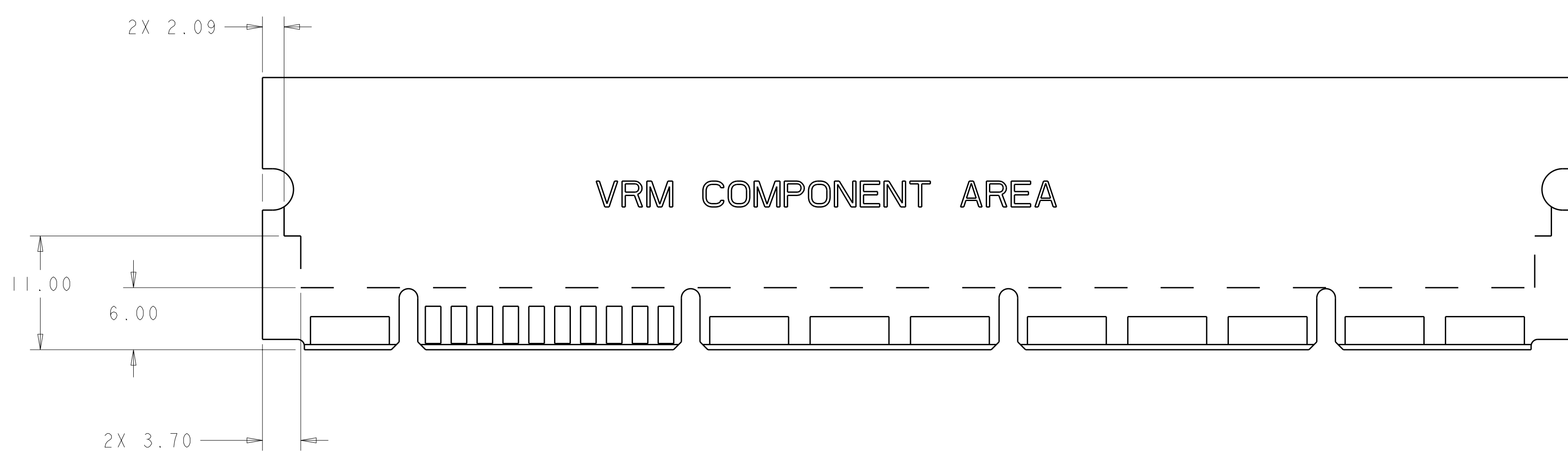
SECTION Y-Y  
 ROTATED 90° CW

<small>THIS DRAWING IS UNPUBLISHED. RELEASED FOR PUBLICATION BY TYCO ELECTRONICS CORPORATION. ALL RIGHTS RESERVED.</small>		DWN: C. ROHLER 19JAN2009 CHK: P. DAMATO 19JAN2009 APVD: M. PERCHERKE 19JAN2009	Tyco Electronics Harrisburg, PA 17105-3608
DIMENSIONS: mm 	TOLERANCES UNLESS OTHERWISE SPECIFIED: 9 PLC ±.5 1 PLC ±.5 2 PLC ±.25 3 PLC ±.5 4 PLC ±.5 ANGLES ±.5 FINISH	NAME: MC-P9S10 MINI CROWNEDGE SOCKET CONNECTOR, COMPLIANT TAIL PRODUCT SPEC: APPLICATION SPEC: WEIGHT: CUSTOMER DRAWING	SIZE: A CAGE CODE: 100779 DRAWING NO: C=1766443 SCALE: 3:1 SHEET: 2 OF 4 REV: E

LOC	DIST	REV	DATE	BY	APPD
-	-	1	-	-	-
REVISIONS			DESCRIPTION	DATE	DWN
-	-	1	SEE SHEET 1	-	-



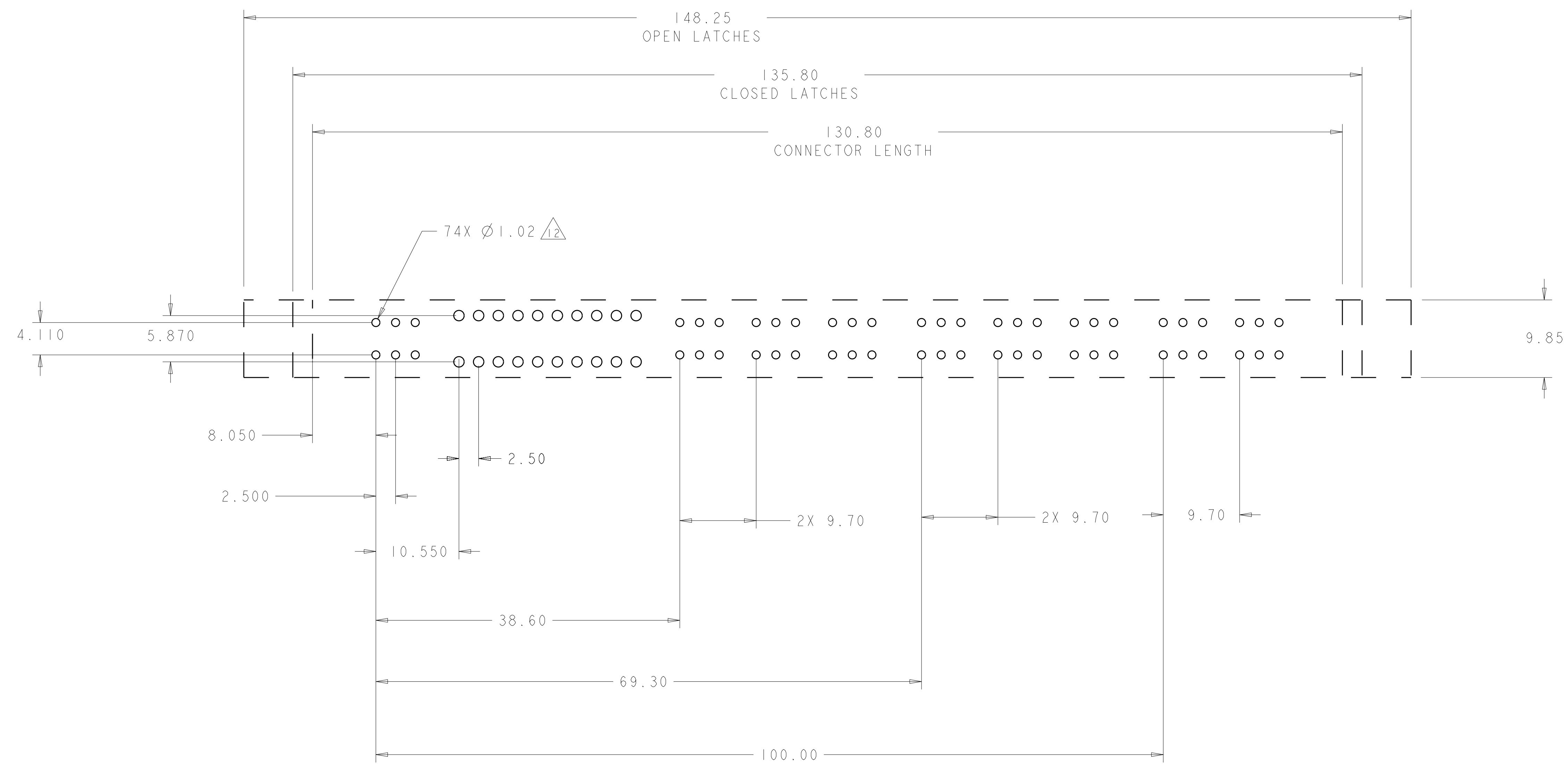
RECOMMENDED MATING BOARD



RECOMMENDED PCB KEEP OUT AREA

DIMENSIONS: mm 		TOLERANCES UNLESS OTHERWISE SPECIFIED: 9 PLC ±.5 1 PLC ±.5 2 PLC ±.25 3 PLC ±.5 4 PLC ±.5 ANGLES ±.5 FINISH		DWN C. ROHLER 19JAN2009 CHK P. DAMATO 19JAN2009 APVD M. PERCHERKE 19JAN2009		Tyco Electronics Harrisburg, PA 17105-3608	
MATERIAL: - FINISH: -		WEIGHT: - CUSTOMER DRAWING		NAME: MC-P9S10 MINI CROWNEDGE SOCKET CONNECTOR, COMPLIANT TAIL PRODUCT SPEC: - APPLICATION SPEC: -		SIZE: A1100779 CAGE CODE: C=1766443 DRAWING NO: - RESTRICTED TO: -	
SCALE: 3:1				SHEET: 3 OF 4		REV: E	

LOC		DIST		REVISIONS			
NO.	DATE	BY	APP'D	DESCRIPTION	DATE	DWN	APP'D
-	-	-	-	SEE SHEET 1	-	-	-



RECOMMENDED PCB LAYOUT

<small>THIS DRAWING IS UNPUBLISHED. RELEASED FOR PUBLICATION BY TYCO ELECTRONICS CORPORATION. IT IS SUBJECT TO CHANGE WITHOUT NOTICE AND WITHOUT OBLIGATION. SHOULD BE CONTACTED FOR THE LATEST REVISION.</small>		DWN <b>C. ROHLER</b> 19JAN2009 CHK <b>P. DAMATO</b> 19JAN2009 APVD <b>M. PERCHERKE</b> 19JAN2009	Tyco Electronics Harrisburg, PA 17105-3608
DIMENSIONS: mm 	TOLERANCES UNLESS OTHERWISE SPECIFIED: 0 PLC ±.5 1 PLC ±.5 2 PLC ±.25 3 PLC ±.5 4 PLC ±.5 ANGLES ±.5 FINISH -	NAME <b>MC-P9S10 MINI CROWNEDGE SOCKET CONNECTOR, COMPLIANT TAIL</b> PRODUCT SPEC - APPLICATION SPEC - WEIGHT - CUSTOMER DRAWING	SIZE CAGE CODE DRAWING NO RESTRICTED TO <b>A100779C-1766443</b> SCALE 3:1 SHEET 4 OF 4 REV E