

Shown with optional diffuse lens

APPLICATIONS

The CLHB-LF-178 is a full-body, premium-performance LED high bay luminaire. It is designed to illuminate a wide variety of settings, including commercial, industrial & retail settings such as warehouses, manufacturing plants, sporting venues and big-box retailers. With a painted, steel housing, the CLHB-LF-178 provides durability and high performance. High-efficacy, long-life LEDs provide both energy and maintenance cost savings compared to traditional, HID high bays.

FEATURES

- Available in 4000k (neutral white) and 5000k (cool white) color temperature.*
- Long-life LEDs provide 122,000 hours of operation with at least 70% of initial lumens output (L70).**
- Delivers 24,564 lumens (128 lumens per watt, LPW) at 4000k, and 24,920 lumens (140 LPW) at 5000k.*
- Universal 120-277 AC voltage (50-60Hz) is standard.
- 0-10vdc dimming drivers are standard.
- Power factor > 0.90.
- Total harmonic distortion < 20%
- Color rendering index > 80.
- Painted steel housing.
- Easy installation in new construction or retrofit.
- Chain-mount kits (includes v-hooks and 1/8" thick, 1-meter long chain) are standard.
- Options include lenses (clear & diffused), wire-guard kits, surface-mounting kits, pendant-mounting kits, and cable-mounting kits.

* contact factory for other color temperatures and lumen packages.
 **L70 hours are IES TM-21-11 calculated hours.

STANDARD



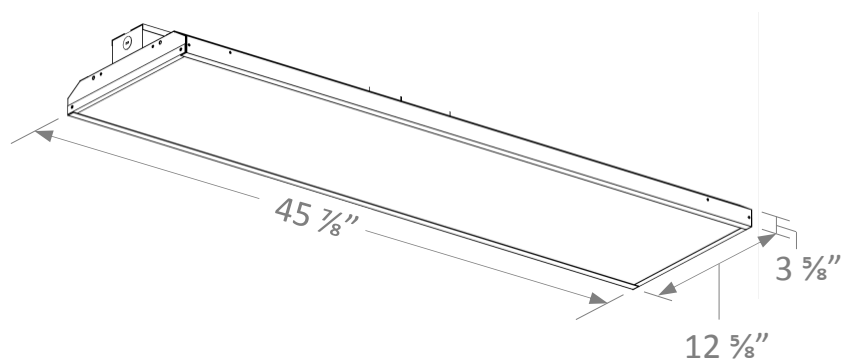
MOUNTING

- Chain mounting with V-hooks is standard.
- Optional surface mounting kit provides attachment to flat ceilings.
- Optional pendant mounting kit provides pendant attachment to junction boxes.
- Optional cable mounting kits provide suspension at two lengths (i.e., 3 & 5 meters).

WARRANTY/LISTING

- cULus listed for damp locations in ambient temperatures from -20°C to 50°C (-4°F to 122°F).
- DLC Premium approved.
- Complies with FCC Part 15, class B.
- Complies with IEEE C.62.41-1991, input transient protection (2.5kV).
- 5-year warranty

DIMENSIONS



PRODUCT PARAMETER

MODEL	LUMINAIRE WATTS	LUMINAIRE LUMENS	LUMENS PER WATTS	COLOR TEMPERATURE	OPTIONS (ORDER SEPARATELY)
CLHB-LF-17840	178	24,564	138	40 = 4000K	-CAHB-180-CRLENS = Clear lens
CLHB-LF-17850	178	24,920	140	50 = 5000K	-CAHB-180-DIFLENS = Diffuse lens
					-CAHB-180-WG = Wire-guard kit
					-CAHB-180-SMK = Surface-mounting kit
					-CAHB-180-PMK = Pendant-mounting kit
					-CAHB-180-CMK3 = Cable-mounting kit, 3 meters long
					-CAHB-180-CMK5 = Cable-mounting kit, 5 meters long

ELECTRICAL DATA

MODEL	COLOR TEMPERATURE	CRI ¹	LUMINAIRE LUMENS	LUMINAIRE WATTS	LUMENS/WATT	INPUT VOLTAGE ²	INPUT CURRENT (A)			POWER FACTOR	THD ³	L ₇₀ HOURS ⁴
							120V	240V	277V			
CLHB-LF-17840	4000k	>80	24,564	178	138	120-277	1.48	0.74	0.64	>90%	<20%	122,000
CLHB-LF-17850	5000k	>80	24,920	178	140	120-277	1.48	0.74	0.64	>90%	<20%	122,000

¹ Color rendering index.

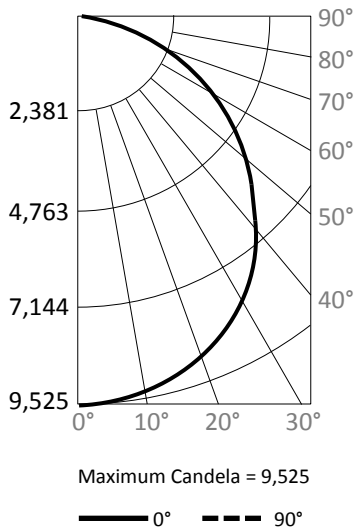
² All 50-60Hz.

³ Total harmonic distortion.

⁴ L₇₀ refers to the number of hours at which lumen output declines to 70% of the initial level. L₇₀ hours are IES TM-21-11 calculated hours.

PHOTOMETRIC DATA

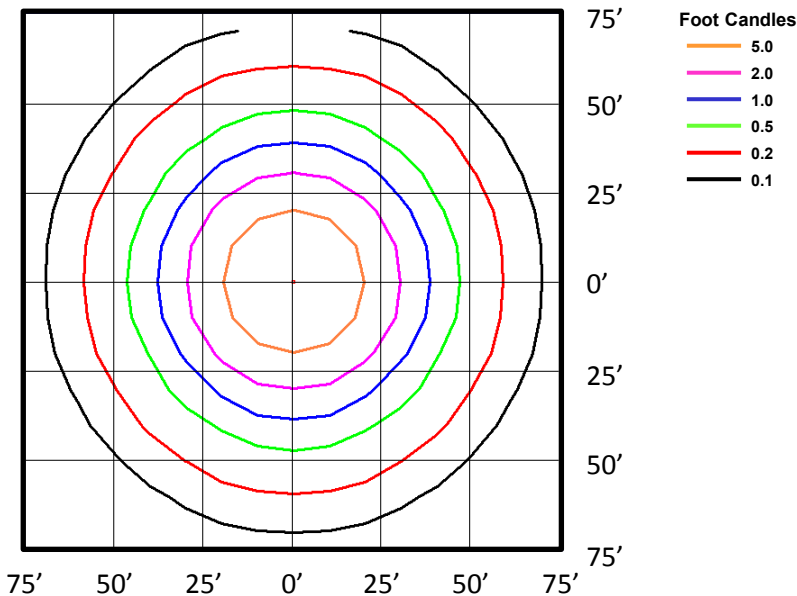
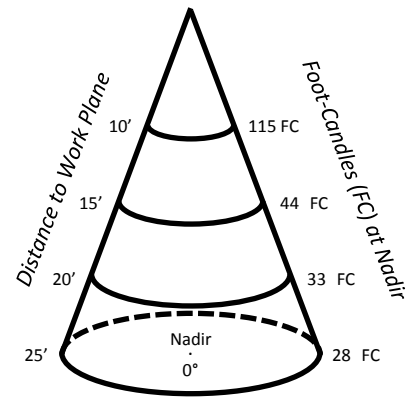
CLHB-LF-17850 (24,920 Lumens)



	0°	90°
0°	9,525	9,525
10°	9,346	9,390
20°	8,863	8,894
30°	8,010	8,024
40°	6,793	6,731
50°	5,210	5,038
60°	3,477	3,265
70°	1,890	1,773
80°	664	656
90°	0	0

Zone	Lumens	% Fixture
0° - 10°	903	3.6%
0° - 20°	3,495	14.0%
0° - 30°	7,430	29.8%
0° - 40°	12,123	48.6%
0° - 50°	16,791	67.4%
0° - 60°	20,657	82.9%
0° - 70°	23,271	93.4%
0° - 80°	24,599	98.7%
0° - 90°	24,920	100.0%
90° - 180°	0	0.0%
0° - 180°	24,920	100.0%

Cone of Light



Notes:

- Isofootcandle plots depict initial footcandles at grade.
- Gridlines represent units of mounting height of 25 feet.