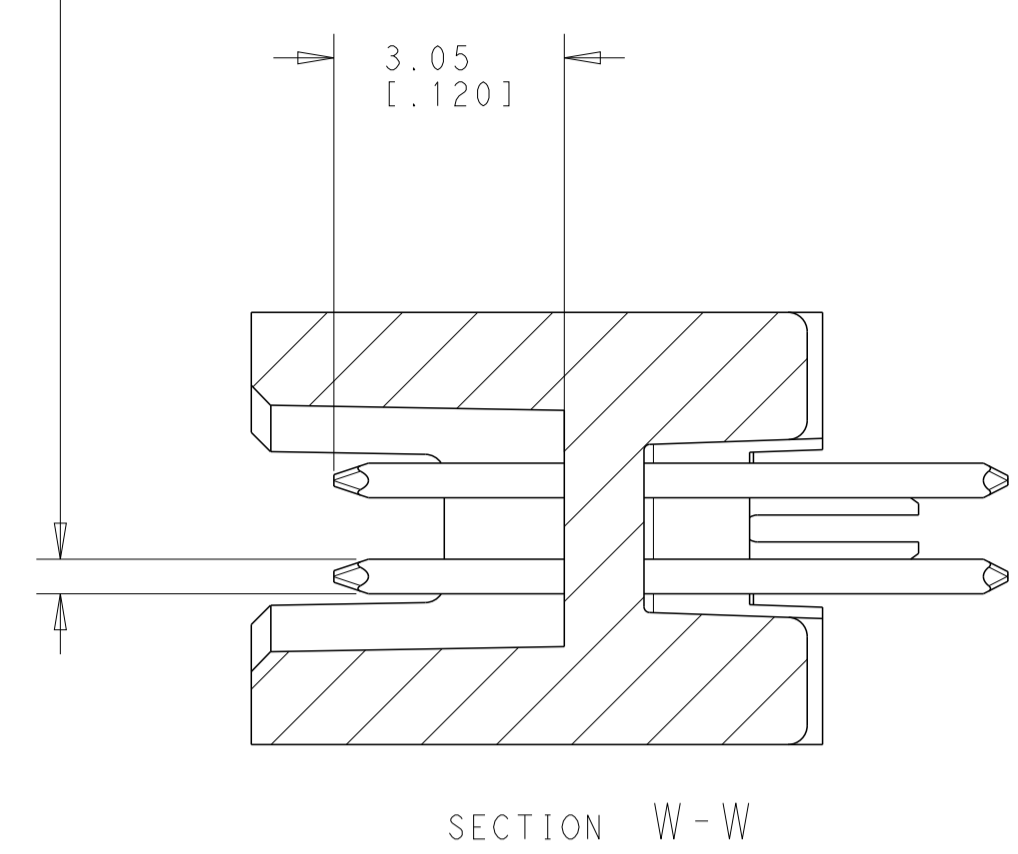
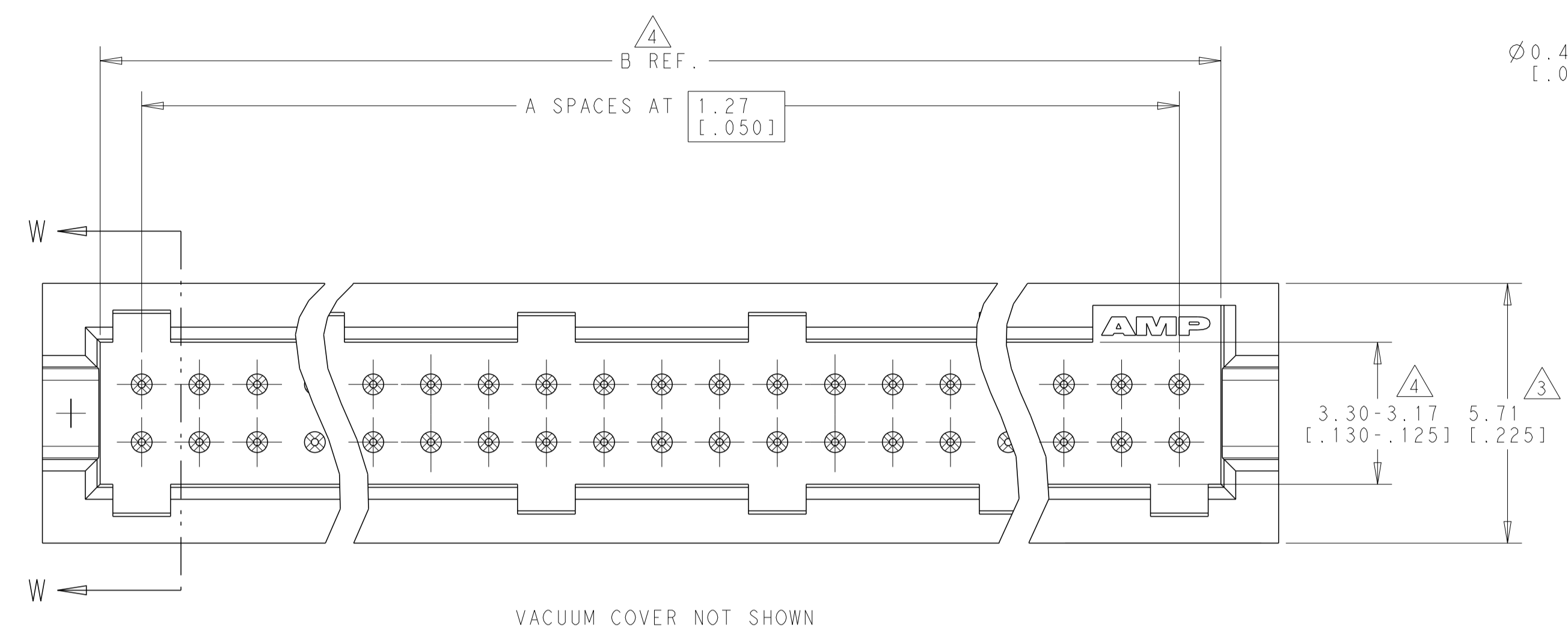
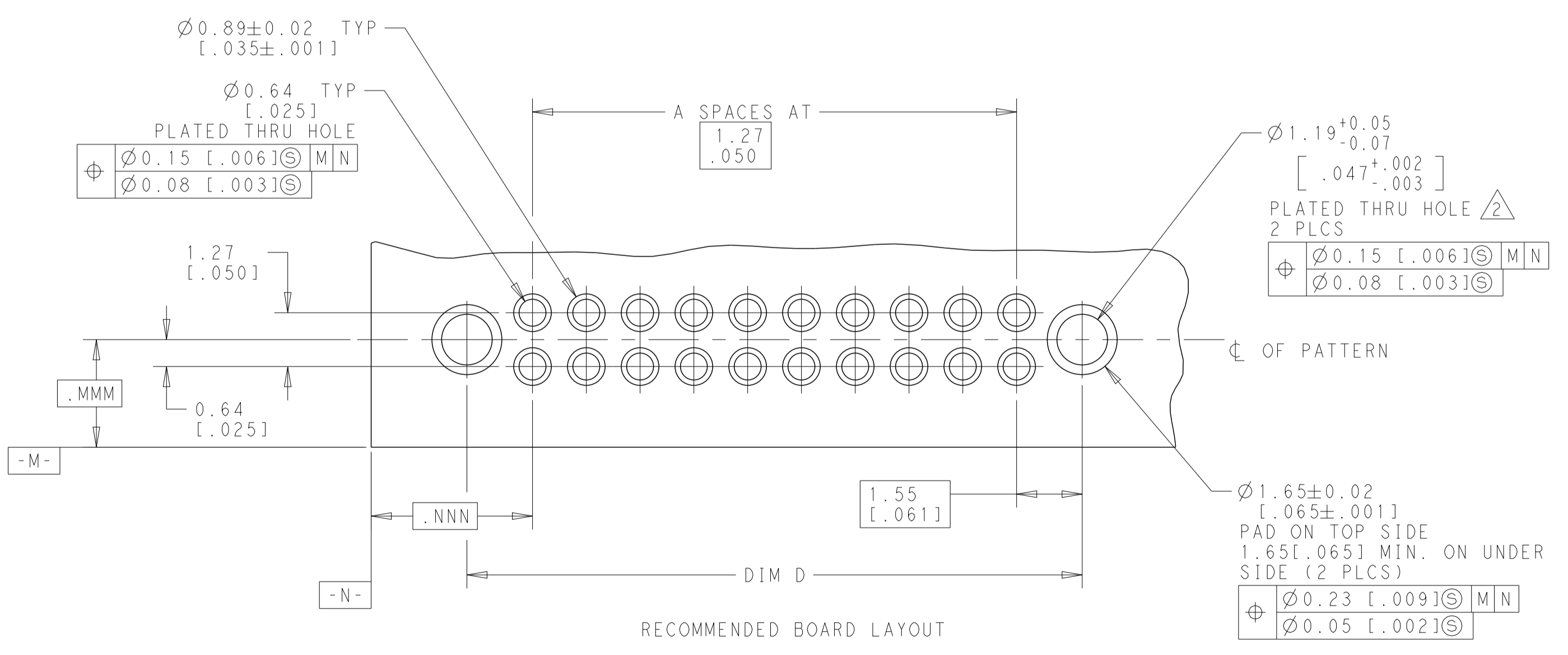
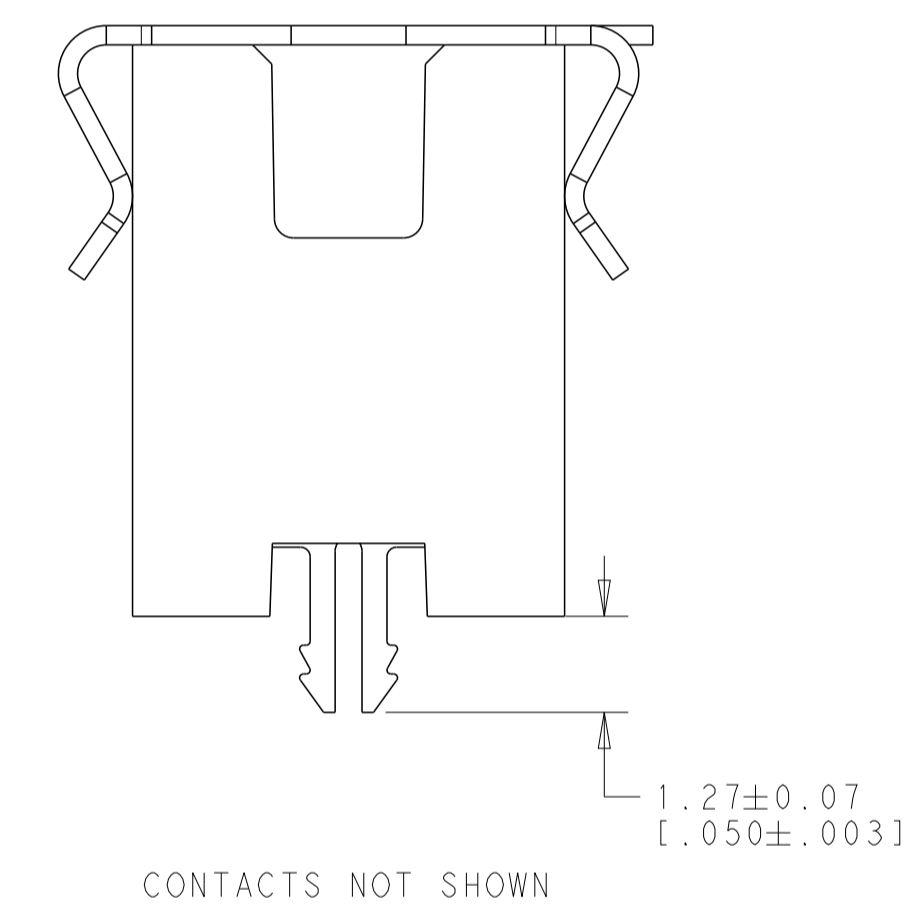
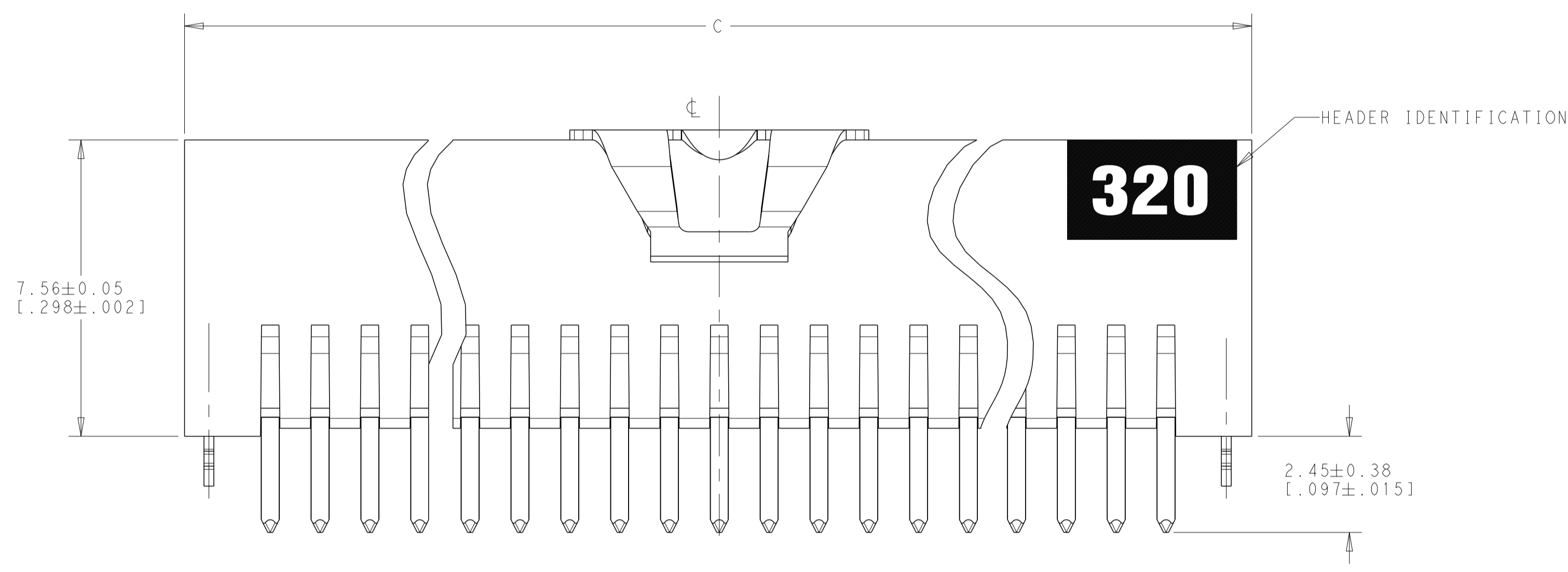


REVISIONS				
P	LTN	DESCRIPTION	DATE	APVD
A		NEW DRAWING	02APR2019	RS JO



- 1 0.00076[.000030] GOLD AT POINT OF MEASUREMENT 0.00051[.000020] MIN AT THE END POINTS OF AREA G, (LOCALIZED GOLD PLATE AREA), 0.0038[.000150] TIN-LEAD ON LOCALIZED TIN PLATED AREA, ALL OVER 0.0013[.000050] NICKEL
- 2 USE 1.32±.002[.052±.001] DRILLED HOLE (#55 DRILL). FINISH TO BE TIN OVER 0.02[.0013]MIN COPPER.
- 3 DIMENSION APPLIES AT BASE OF SHROUD
- 4 THE NOTED DIMENSIONS APPLY AT THE MATING FACE OF THE HOUSING.
- 5 0.0038[.000150] TIN LEAD ON HOLD DOWN, ALL OVER 0.0013[.000050] NICKEL
- 6 IF PLANNING TO USE MORE THAN ONE MATING PAIR OF CONNECTORS TO INTERCONNECT 2 BOARDS, PLEASE REFER TO THE SPACING PARAGRAPH IN APPLICATION SPEC, #114-7010
- 7 PACKAGED IN TUBES
- 8 DIMENSION NOTED APPLY FROM THE BASIC DIMENSION LINE (NOT THE CIRCUIT CAVITY CENTRE LINE) TO THE SURFACE INDICATED.
- 9 0.00076[.000030] GOLD AT POINT OF MEASUREMENT 0.0005[.000020] MIN AT THE END POINTS OF AREA G, (LOCALIZED GOLD PLATE AREA), 0.0038[.000150] TIN ON LOCALIZED TIN PLATED AREA, ALL OVER 0.0013[.000050] NICKEL
- 10 0.0035[.000150] TIN ON HOLDDOWN, ALL OVER 0.0013[.000050] NICKEL
- 11 ROHS 2002/95/EC COMPLIANT.
- 12 HOUSING: LCP, COLOR: BLACK
POST: PHOSPHOR BRONZE
VACUUM COVER: ALUMINIUM
HOLD DOWN: COPPER ALLOY



9 10	65.33 [2.572]	66.59 [2.622]	64.05 [2.522]	49	100	6-2267255-0
9 10	58.97 [2.322]	60.24 [2.372]	57.70 [2.272]	44	90	5-2267255-9
9 10	52.63 [2.072]	53.89 [2.122]	51.35 [2.022]	39	80	5-2267255-8
9 10	46.28 [1.822]	47.54 [1.872]	45.00 [1.772]	34	70	5-2267255-7
9 10	39.93 [1.572]	41.19 [1.622]	38.65 [1.522]	29	60	5-2267255-6
9 10	33.58 [1.322]	34.84 [1.372]	32.30 [1.272]	24	50	5-2267255-5
9 10	27.23 [1.072]	28.49 [1.122]	25.95 [1.022]	19	40	5-2267255-4
9 10	20.88 [0.822]	22.14 [0.872]	19.60 [0.772]	14	30	5-2267255-3
9 10	14.53 [0.572]	15.79 [0.622]	13.25 [0.522]	9	20	5-2267255-2
9 10	8.18 [0.322]	9.44 [0.372]	6.90 [0.272]	4	10	5-2267255-1
1 5	65.33 [2.572]	66.59 [2.622]	64.05 [2.522]	49	100	1-2267255-0
1 5	58.98 [2.322]	60.24 [2.372]	57.70 [2.272]	44	90	2267255-9
1 5	52.63 [2.072]	53.89 [2.122]	51.35 [2.022]	39	80	2267255-8
1 5	46.28 [1.822]	47.54 [1.872]	45.00 [1.772]	34	70	2267255-7
1 5	39.93 [1.572]	41.19 [1.622]	38.65 [1.522]	29	60	2267255-6
1 5	33.58 [1.322]	34.84 [1.372]	32.30 [1.272]	24	50	2267255-5
1 5	27.23 [1.072]	28.49 [1.122]	25.95 [1.022]	19	40	2267255-4
1 5	20.88 [0.822]	22.14 [0.872]	19.60 [0.772]	14	30	2267255-3
1 5	14.53 [0.572]	15.79 [0.622]	13.25 [0.522]	9	20	2267255-2
1 5	8.18 [0.322]	9.44 [0.372]	6.90 [0.272]	4	10	2267255-1
FINISH	D	C	B	A	NUMBER OF POSITIONS	PART NUMBER

THIS DRAWING IS A CONTROLLED DOCUMENT. DWG: RAVLS 01APR2019
CHK: J. OLSON 01APR2019
APPD: J. OLSON 01APR2019

DIMENSIONS: I/D

TOLERANCES UNLESS OTHERWISE SPECIFIED:

0 PLC	±
1 PLC	±
2 PLC	±
3 PLC	±.005
4 PLC	±
ANGLES	±
FINISH	±

MATERIAL: 12

NAME: HDR ASSY, AMPMODU 50/50 GRID (98.13[.320] MATED HEIGHT) THROUGH HOLE

PRODUCT SPEC: 108-1332

APPLICATION SPEC: 114-7010

SIZE: 114-7010

WEIGHT: -

CAGE CODE: 100779

DRAWING NO: 2267255

RESTRICTED TO: A

CUSTOMER DRAWING

SCALE: 10:1

SHEET 1 OF 1

REV A