

## Connector mounting plate - HC-SMP 150-B10 - 1660876

Please be informed that the data shown in this PDF Document is generated from our Online Catalog. Please find the complete data in the user's documentation. Our General Terms of Use for Downloads are valid (<http://download.phoenixcontact.com>)




Plug assembly board, 150 mm, with base element, snaps onto NS 35/7.5 and NS 35/15, for contact inserts HC-B 10

The figure shows the HC-SMP 150... connector mounting plate (bottom) with the HC-SAZ... plug socket (top)



### Key commercial data

Packing unit	1 1
GTIN	 4 017918 022280
Weight per Piece (excluding packing)	200.36 GRM
Custom tariff number	85389099
Country of origin	Germany

### Technical data

#### Dimensions

Length	150 mm
Height	52 mm
Hole diameter	4.5 mm
Drill hole distance, horizontal	130 mm
Drill hole distance, vertical	32 mm

#### General

Design	B10
--------	-----

# Connector mounting plate - HC-SMP 150-B10 - 1660876

## Classifications

### eCl@ss

eCl@ss 4.0	27140816
eCl@ss 4.1	27140816
eCl@ss 5.0	27143424
eCl@ss 5.1	27143424
eCl@ss 6.0	27143424
eCl@ss 7.0	27440209
eCl@ss 8.0	27440209

### ETIM

ETIM 3.0	EC002310
ETIM 4.0	EC002310
ETIM 5.0	EC002310

### UNSPSC

UNSPSC 6.01	43172601
UNSPSC 7.0901	39121416
UNSPSC 11	43172601
UNSPSC 12.01	39121408
UNSPSC 13.2	39121408

## Approvals

### Approvals

---

Approvals

GOST

---

Ex Approvals

---

Approvals submitted

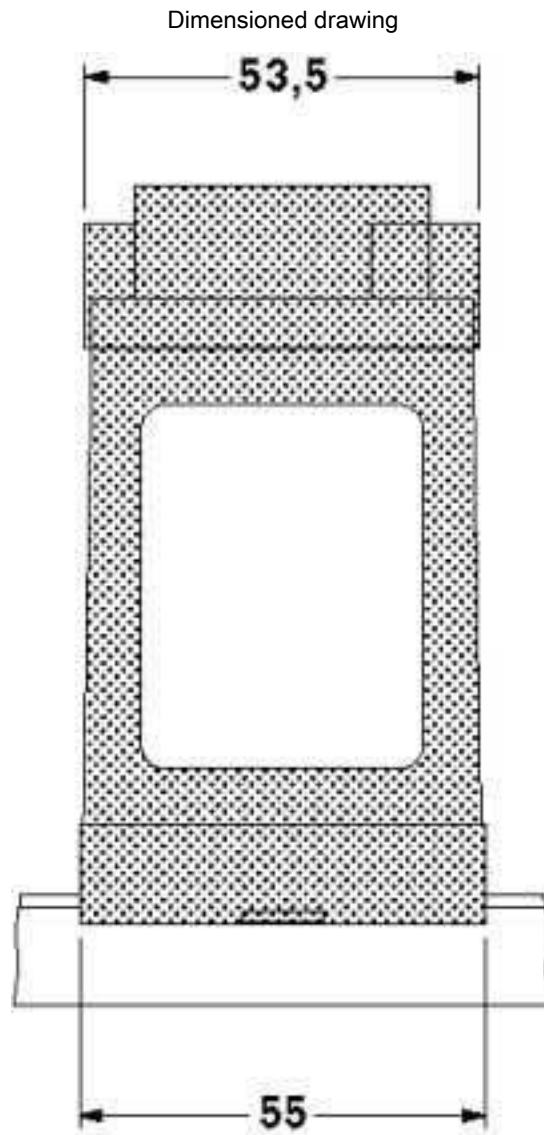
---

### Approval details

GOST 
--

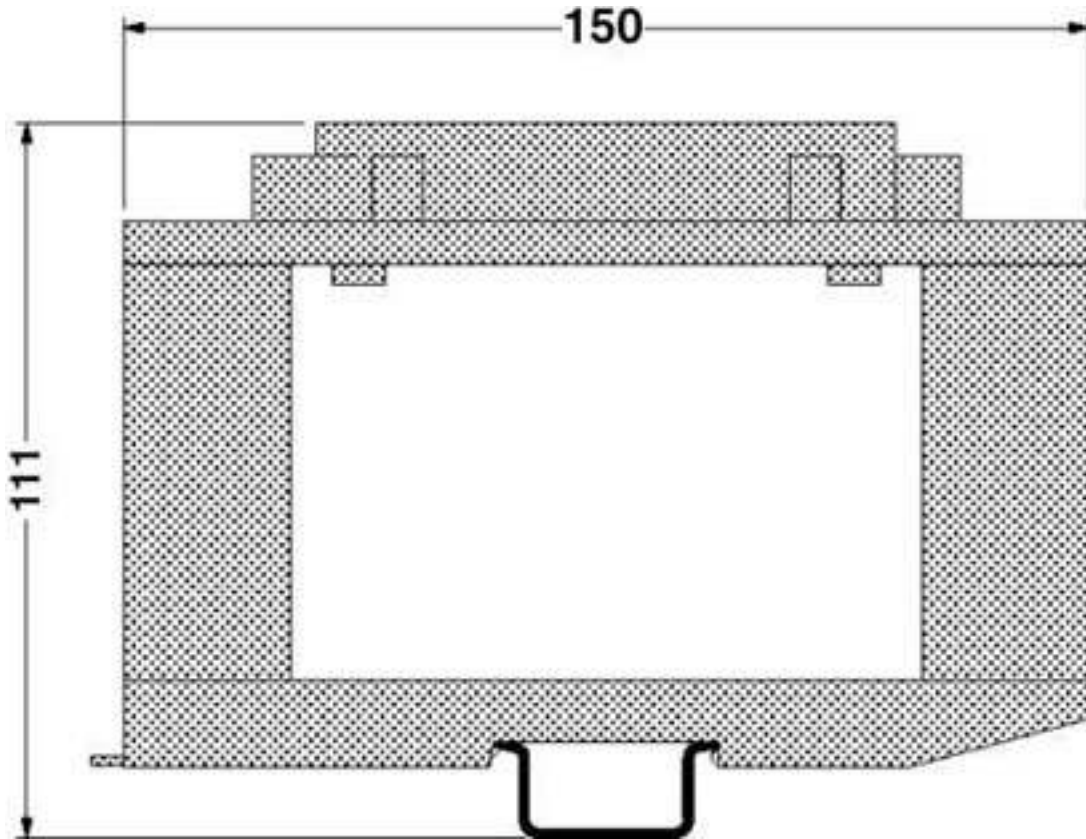
# Connector mounting plate - HC-SMP 150-B10 - 1660876

## Drawings

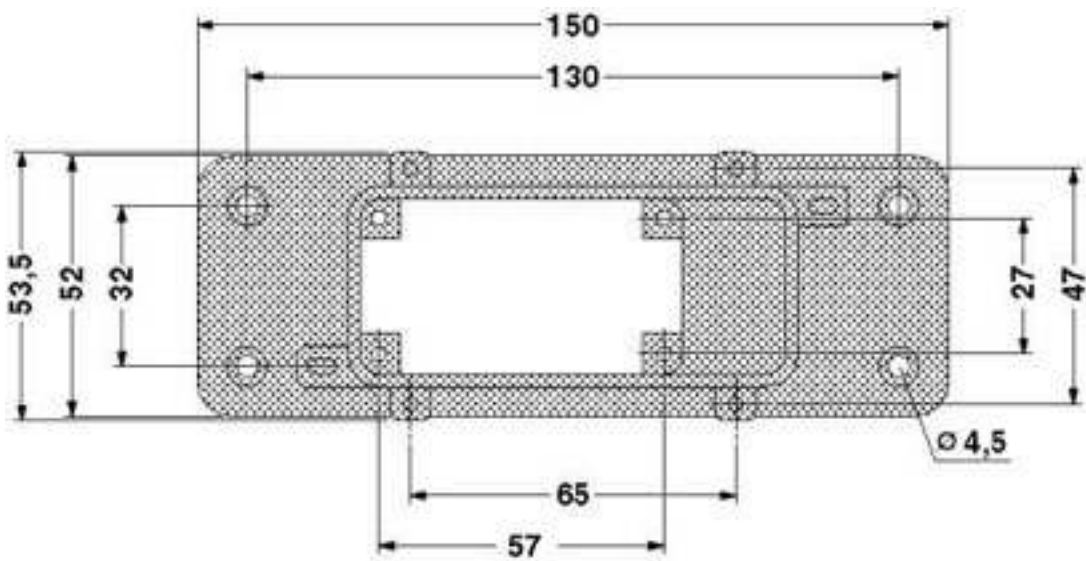


# Connector mounting plate - HC-SMP 150-B10 - 1660876

Dimensioned drawing



Dimensioned drawing



## Connector mounting plate - HC-SMP 150-B10 - 1660876

Dimensioned drawing

