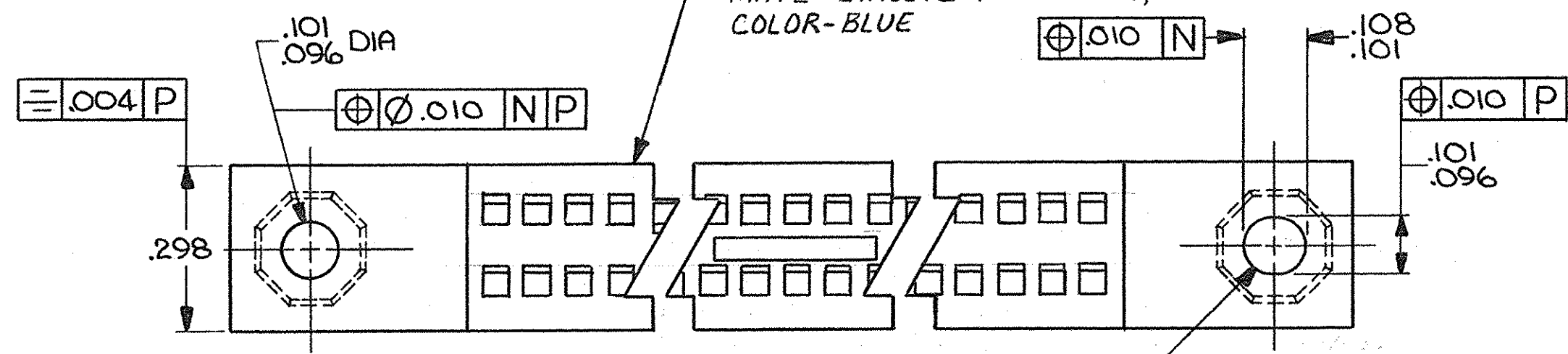
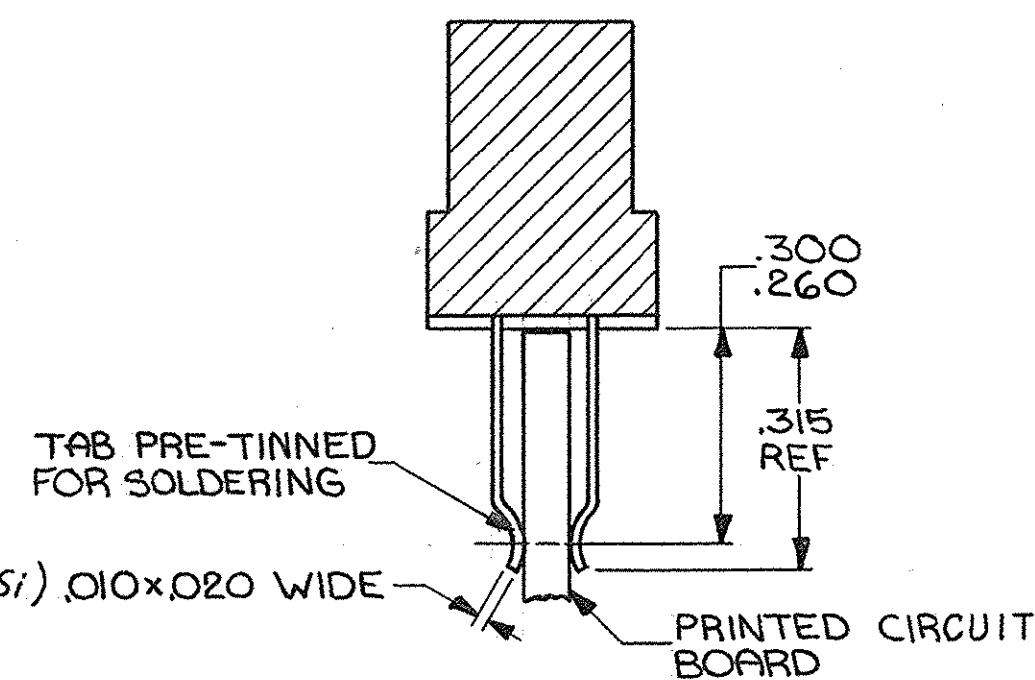
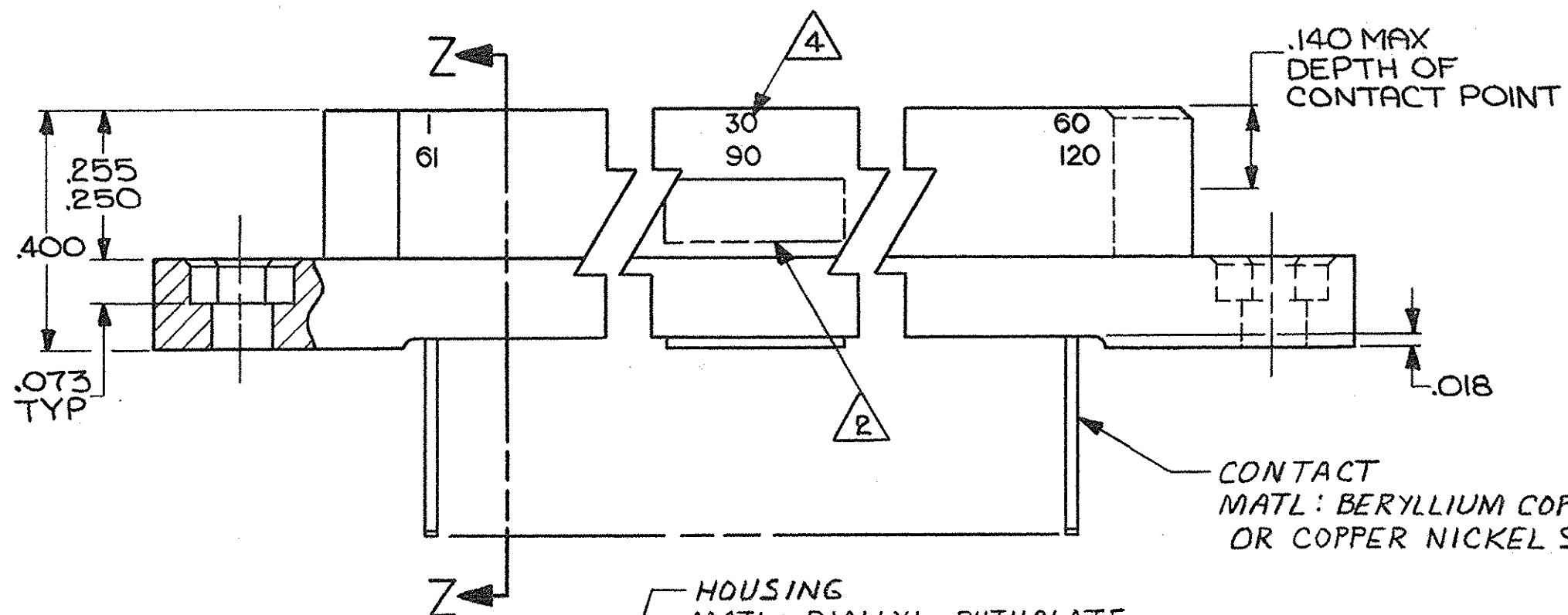
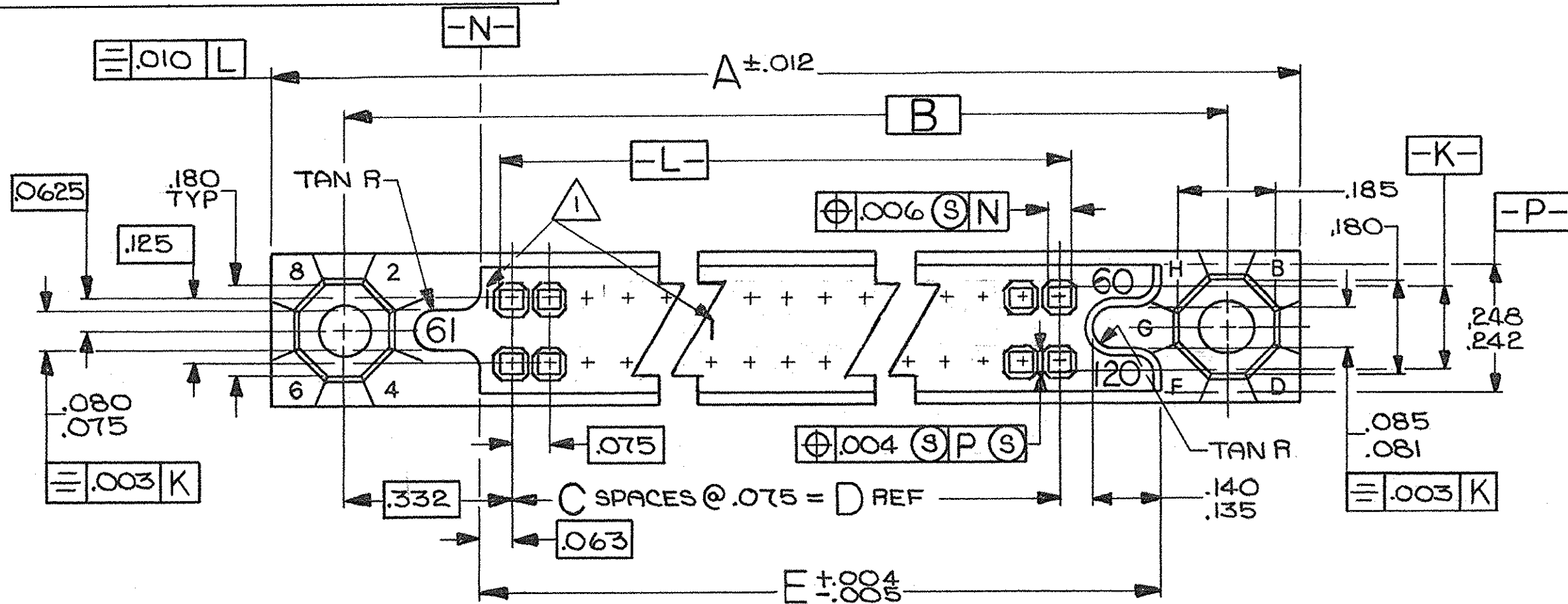


© COPYRIGHT 19 BY AMP INCORPORATED, HARRISBURG, PA.
ALL INTERNATIONAL RIGHTS RESERVED. AMP INCORPORATED PRODUCTS
COVERED BY U. S. AND FOREIGN PATENTS AND/OR PATENTS PENDING.

REVISIONS						
P	F	ZONE	LTR	DESCRIPTION	DATE	APPROVED
		E		ECO-08-020831	PY 10-08	BW



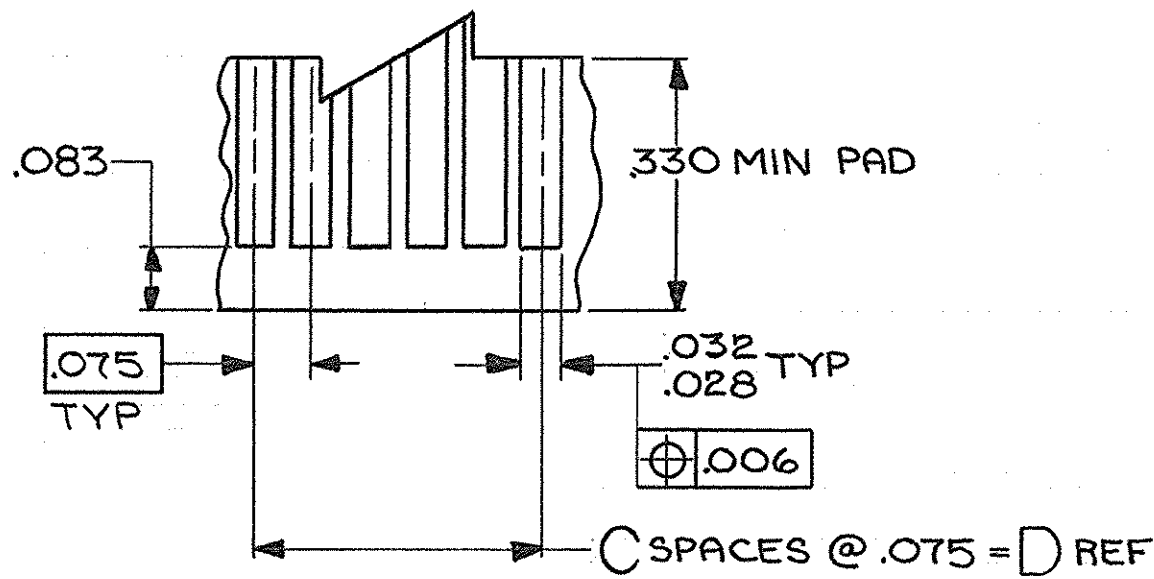
- 1 NUMBERS (SEE TABLE) AND LINES INDICATING EVERY FIVE (5) CAVITIES MARKED ON MATING FACE
- 2 IDENTIFICATION MARKINGS PER MIL-C-55302 (SEE TABLE), IN ADDITION TO "AMP", PART NUMBER, AND DATE CODE.
- 3. MUST MEET ALL APPLICABLE REQUIREMENTS OF MIL-C-55302,
- 4 NUMBERS INDICATING EVERY FIVE (5) CAVITIES MARKED ON SIDE,
- 5 FINISH: .000050 GOLD IN CONTACT AREA, TIN-LEAD ON SOLDER TAILS, ALL OVER NICKEL UNDERPLATE

UNLESS OTHERWISE SPECIFIED DIMENSIONS ARE IN INCHES. TOLERANCES ON: DECIMALS ± .005 ANGLES ±		CONTRACT NO 10-16-79		PART NO	
MATERIAL SEE CALLOUTS		DR A.M. SHARPE		AMP INCORPORATED Harrisburg, Pa.	
FINISH RCPT CONTACTS: 5		CHK Rogers W. Decker 11/6/79		NAME RCPT ASSY, 750 SERIES BOX CARD EXTENDER, WITH EXTERNAL KEYING	
		APPD Rogers W. Decker 11/6/79		SIZE CODE IDENT NO DRAWING NO C 00779 531148	
		APPD S. Trapp 11/6/79		REV E	
		OTHER APPD		SCALE 4:1 SHEET 1 OF 2	

531148

© COPYRIGHT 19 BY AMP INCORPORATED, HARRISBURG, PA.
ALL INTERNATIONAL RIGHTS RESERVED. AMP INCORPORATED PRODUCTS
COVERED BY U. S. AND FOREIGN PATENTS AND/OR PATENTS PENDING.

REVISIONS				DATE	APPROVED
P	F	ZONE	LTR	DESCRIPTION	
				SEE SHEET 1	



RECOMMENDED PRINTED CIRCUIT BOARD LAYOUT

M5502/25-32	1 91	90 180	6.940	6.675	89	7.340	7.630	180	531148-4
M55302/25-28	1 81	80 160	6.190	5.925	79	6.590	6.880	160	↑ -3
M55302/25-24	1 76	75 150	5.815	5.550	74	6.215	6.505	150	↓ -2
M55302/25-20	1 61	60 120	4.690	4.425	59	5.090	5.380	120	531148-1
IDENT MARKING M55302	CONTACT IDENT NO	E	D	C	B	A	NO OF CONTACTS	PART NO	
UNLESS OTHERWISE SPECIFIED DIMENSIONS ARE IN INCHES. TOLERANCES ON: DECIMALS ± .005 ANGLES ±		CONTRACT NO 10-16-79		AMP INCORPORATED Harrisburg, Pa.					
MATERIAL		DR A.M. SHARPE		NAME RCPT ASSY, 750 SERIES BOX CARD EXTENDER, WITH EXTERNAL KEYING					
FINISH		CHK Royal W. Dinkin 11/8/79		APPD Royal W. Dinkin 11/8/79					
		APPD Royal W. Dinkin 11/8/79		DSGN APPD		SIZE CODE IDENT NO DRAWING NO		REV	
		OTHER APPD		C 00779		531148		E	
				SCALE 4:1		SHEET		2	

531148