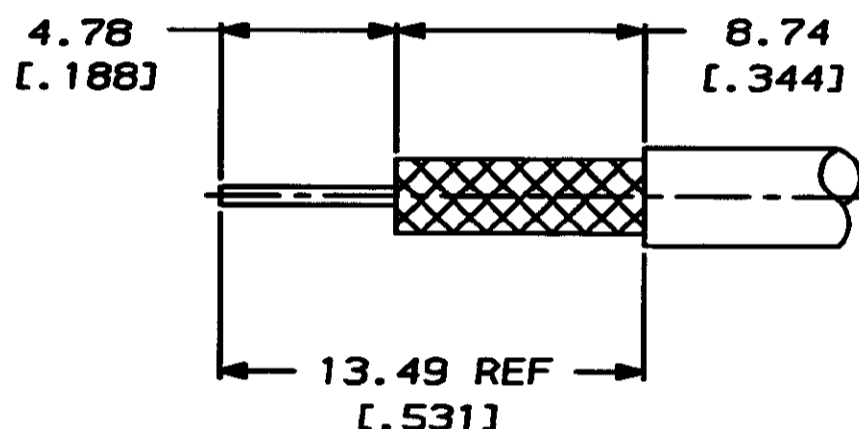
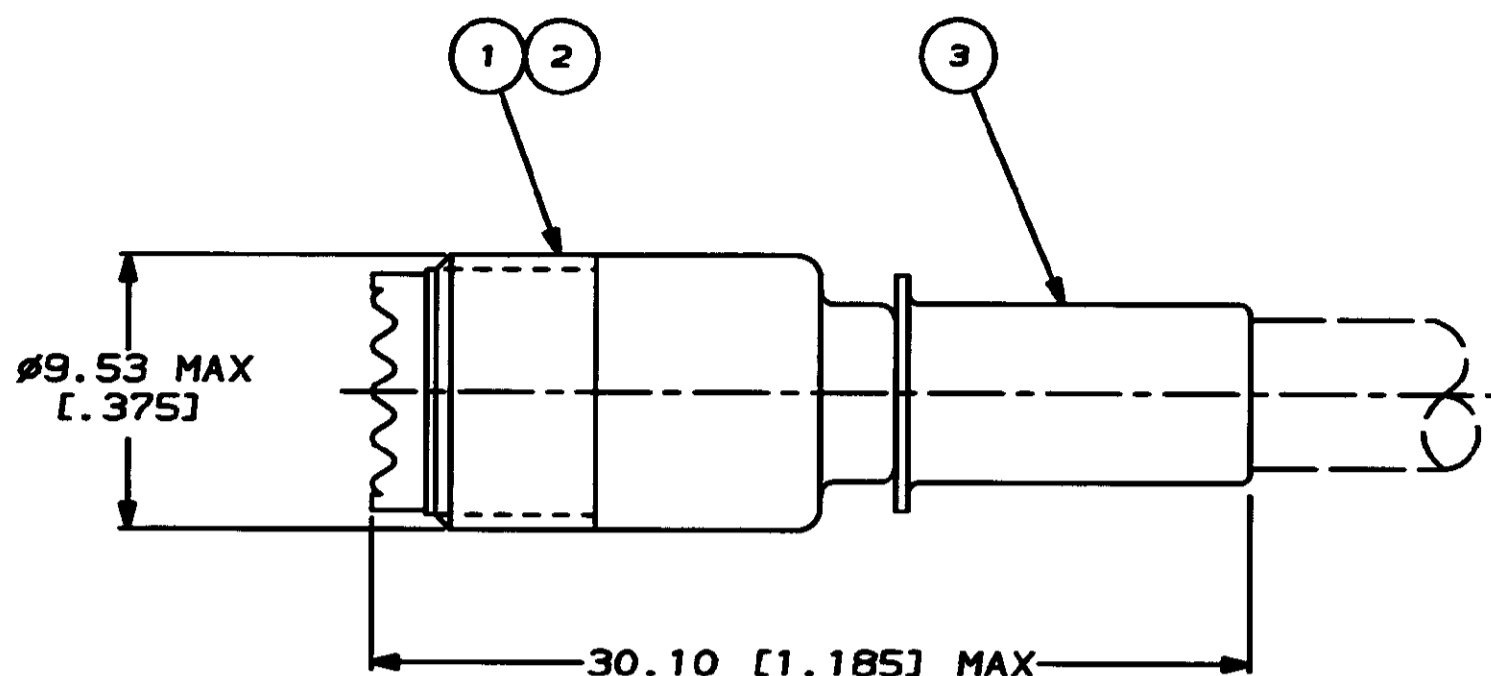


DRAWING MADE IN THIRD ANGLE PROJECTION

THIS DRAWING IS UNPUBLISHED. RELEASED FOR PUBLICATION .19
 © COPYRIGHT 19 BY AMP INCORPORATED. ALL INTERNATIONAL RIGHTS RESERVED.

| LOC | DIST | P | F | ZONE | LTR | DESCRIPTION | DATE | APPD |
|-----|------|---|---|------|-----|--------------------------------|---------|------|
| AJ | 16 | | | | C | OBSOLETE -2 PER AJ-2857 | 10-3-91 | MS |
| | | | | | D | ADDED -3 PER 91-3338-020 | 10-3-91 | MS |
| | | | | | D1 | OBSOLETE -3 PER AJ-6524 | 12-8-92 | KT |
| | | | | | E | REACTIVATE -3 PER 0130-0174-92 | 1-12-93 | MS |



RECOMMENDED STRIP LENGTH

1. PARTS PACKAGED UNASSEMBLED
2. SPECIAL PACKAGING, INDIVIDUALLY PACKAGED IN PREPRINTED BAG WITH SPECIAL GRAPHICS
3. CRIMP WITH TOOL: 69710-1 USING DIE 58158-1
4. CRIMP WITH TOOL: 220149-1 OR 58124-1
5. CRIMP WITH TOOL: AMP-0-LECTRIC 220152-1 USING DIE 220162-1
6. CRIMP WITH TOOL: AMP-0-LECTRIC 220152-1 USING DIE 220166-1

| | | | | | | | |
|------------|---------------|-------|-------------------------------|--------------------|----------------------|----------|----------|
| OBSOLETE | 2 | 3 4 5 | RG-58/U, 58A/U, 58B/U & 58C/U | 226599-2 | 226610-2 | 226850-1 | 226602-3 |
| | | 6 | RG-59/U, 59A/U & 59B/U | 226708-2 | 226711-2 | 226709-1 | 226602-2 |
| | | 3 4 5 | RG-58/U, 58A/U, 58B/U & 58C/U | 226599-2 | 226610-2 | 226850-1 | 226602-1 |
| CRIMP TOOL | FOR USE WITH: | | 3 FERRULE QTY=1 | 2 CONTACT QTY=1 | 1 JACK ASSY QTY=1 | PART NO | |

| | | | | | |
|---|--|---|--|---|-----------|
| DO NOT SCALE PRINT. UNLESS SPECIFIED DIMENSIONS IN mm [INCHES] TOLERANCES ON: 2 PLC DEC ± 0.41 [.016] 3 PLC DEC ± - ANGLES ± - | | DR 10-3-91 M. SNEED CHK 10-3-91 R. HENRY APPD 10-3-91 R. HENRY APPD 10-4-91 M. SNEED PRODUCT SPEC | | PART NO | |
| MATERIAL | | FINISH | | AMP Incorporated Harrisburg, PA 17105-3608 | |
| - | | - | | NAME | |
| - | | - | | JACK, MINIATURE UHF | |
| - | | - | | SIZE | CAGE CODE |
| - | | - | | C | 00779 |
| - | | - | | DRAWING NO | 226602 |
| - | | - | | SCALE | 4:1 |
| - | | - | | SHEET | 1 OF 1 |

CUSTOMER DRAWING