

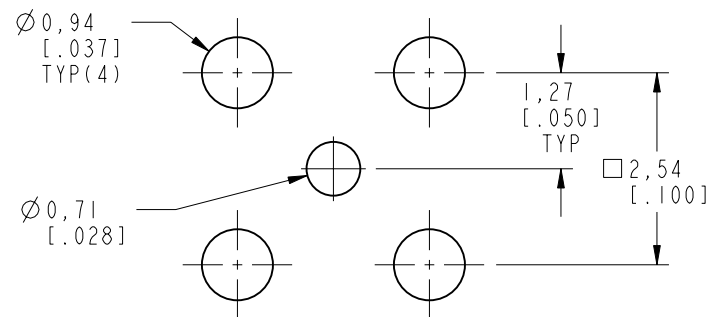
NOTES:

1. MATERIALS AND FINISHES:
 BODY & CONTACT - BeCu, GOLD PLATING
 INSULATOR - PTFE, NATURAL
2. ELECTRICAL:
 A. IMPEDANCE: 50 OHM
 B. FREQUENCY RANGE: DC - 40 GHz
 C. VSWR: 1.15 MAX @ DC - 10 GHz
 1.25 MAX @ 10 - 26.5 GHz
 1.35 MAX @ 26.5 - 40 GHz
 C. DIELECTRIC WITHSTANDING VOLTAGE: 335 VRMS, MIN.
3. MECHANICAL:
 A. DURABILITY: 500 CYCLES MIN.
 B. TEMPERATURE RANGE: -65°C TO +165°C
4. PACKAGING:
 A. TRAY PACK: 50 PCS / TRAY
 B. MARKING: TRAY TO BE MARKED
 "AMPHENOL RF, 925-138J-51P, AND DATE CODE"

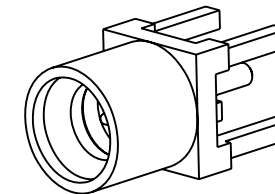
THIRD ANGLE PROJ.

REVISIONS

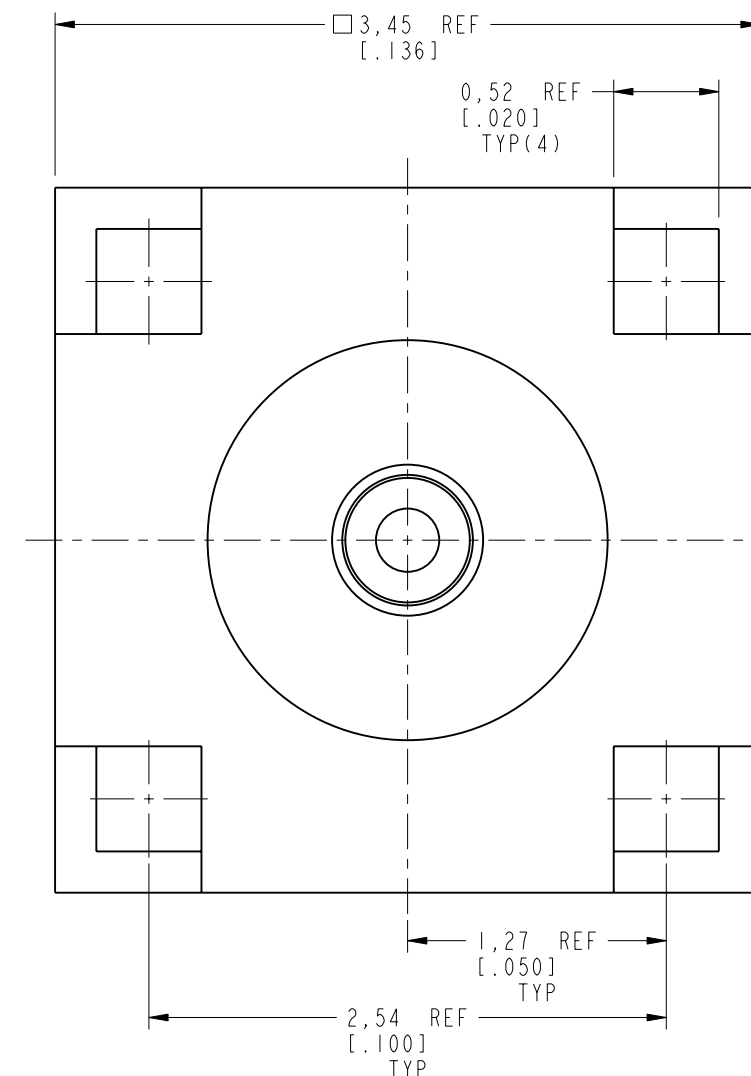
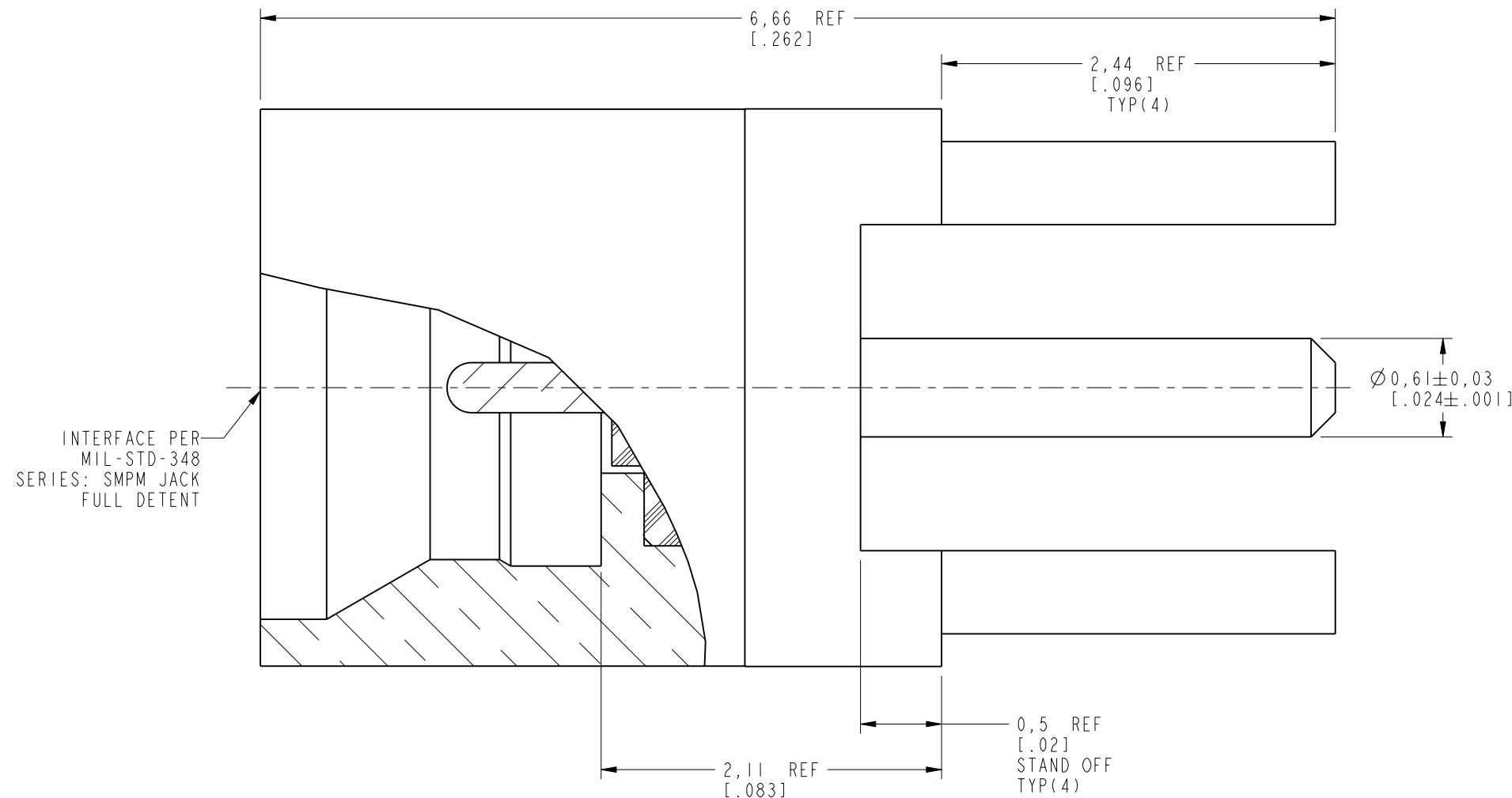
REV	DESCRIPTION	DATE	ECO	APPR
A	RELEASE TO MFG.	13-Jan-17	02722	RM



RECOMMENDED MOUNTING HOLE DIMENSIONS



SCALE 5.000



CUSTOMER OUTLINE DRAWING
 ALL OTHER SHEETS ARE FOR INTERNAL USE ONLY

UNLESS OTHERWISE SPECIFIED, DIMENSIONS ARE IN METRIC AND TOLERANCES ARE: < 0.5mm ± 0.05mm 0.5 - 6mm ± 0.1mm 6 - 30mm ± 0.2mm 30 - 120mm ± 0.3mm ANGLES ± 1°	MATERIAL	DRAWN	DATE	TITLE SMPM STR JACK FULL DETENT PCB THROUGH HOLE 4 LEGS RECEPTACLE	Amphenol RF www.amphenolrf.com	
	SEE NOTES	CLEMENT	15-Sep-16			
NOTICE - These drawings, specifications, or other data (1) are, and remain the property of Amphenol corp. (2) must be returned upon request; and (3) are confidential and not to be disclosed to any person other than those to whom they are given by Amphenol Corp. the furnishing of these drawings, specifications, or other data by Amphenol Corp., or to any other person to anyone for any purpose is not to be regarded by implication or otherwise in any manner licensing, granting rights to permitting such holder or any other person to manufacture, use or sell any product, process or design, patented or otherwise, that may in any way be related to or disclosed by said drawings, specifications, or other data.	REFERENCE	ENGINEER	DATE	SCALE: 27.0:1.0 SHEET 2 OF 2		DRAWING NO. 925-138J-51P
	EAR # 7105	KARTHIK R	15-Sep-16	13-Jan-17		DWG SIZE B
	CONFIGURATION LEVEL: In Work	APPROVED	DATE	REV A	PART NO. 925-138J-51P	
	FINISH	S. HSIEH	13-Jan-17			