

LM2630

Synchronous Step-Down Power Supply Controller

General Description

The LM2630 controller provides all the active functions for step-down (buck) switching converters. These dc-to-dc converters provide core CPU power in battery-operated systems.

High efficiency is achieved by using synchronous rectification and pulse-skipping mode operation at light load. Inexpensive N-channel MOSFETs are used to reduce system cost. Bootstrap circuit is used to drive the high-side N-channel MOSFET.

Current mode control scheme is used to improve line regulation and transient response, also provides cycle-by-cycle current limiting.

The operating frequency is adjustable between 200 kHz and 400 kHz. An external shutdown pin can be used to disable the device and reduce the quiescent current to 0.1 μ A. In low noise applications, bringing the FPWM pin high can force the device to operate in constant frequency mode. Other features include the external synchronization pin, and the PGOOD pin to indicate the state of the output voltage.

Protection circuitry includes thermal shutdown, undervoltage shut down, soft-start capability, and two levels of current limits: The first level simply limits the load current directly; at the second level, if the load pulls the output voltage down below 80% of the regulated value, the chip will shut down. This latched operation is disabled during startup, but an internal timer will enable it if the output does not come up in the preset time.

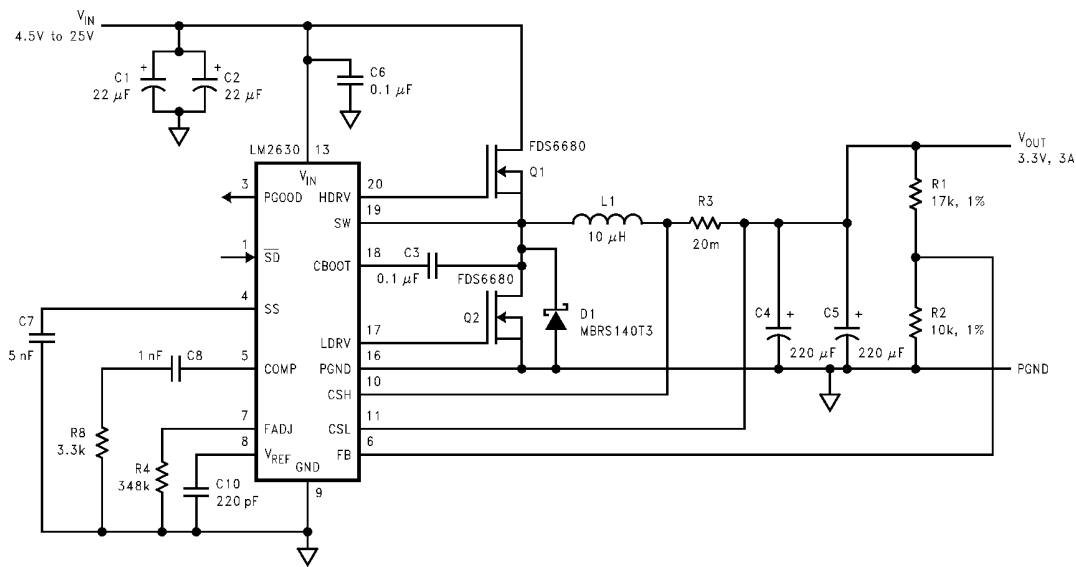
Features

- 4.5V to 30V input range
- Adjustable output (1.8V to 6V)
- 200 kHz to 400 kHz adjustable operating frequency
- Externally synchronizable
- On-board power good function
- Precision 1.24V reference output
- 0.8 mA typical quiescent current
- 0.1 μ A shutdown current
- Thermal shutdown
- Direct current limit protection
- Input undervoltage lockout
- Output Undervoltage shutdown protection
- Programmable soft-start function
- Tiny TSSOP package

Applications

- Notebook and subnotebook computers
- Cellular phones
- Portable instruments
- Battery-powered digital devices

Typical Application Circuit



10012001

Absolute Maximum Ratings (Note 1)

If Military/Aerospace specified devices are required, please contact the National Semiconductor Sales Office/Distributors for availability and specifications.

Voltages from the indicated pins to GND and PGND:

V_{IN}	-0.3V to 31V
CBOOT	-0.3V to 36V
\overline{SD}	-0.3V to 31V
SW	-0.3V to 31V
CSH, CSL	-0.3V to 7V
FPWM, SYNC	-0.3V to 10V
Power Dissipation ($T_A = 70^\circ\text{C}$), (Note 2)	720mW

Storage Temperature Range	-65°C to +150°C
Soldering Dwell Time, Temperature (Note 3)	
Wave	4 sec, 260°C
Infrared	10 sec, 240°C
Vapor Phase	75 sec, 219°C
ESD Rating (Note 4)	1.5 kV

Operating Ratings

V_{IN}	4.5V to 30V
Junction Temperature	-40°C to +125°C

Electrical Characteristics

Specifications in standard type face are for $T_J = 25^\circ\text{C}$ and those with **boldface type** apply over **full operating junction temperature range**. $V_{IN} = 10\text{V}$, $\text{GND} = \text{PGND} = 0\text{V}$, unless otherwise stated. (Notes 5, 6)

Symbol	Parameter	Conditions	Typical	Limit	Units
System					
V_{IN}	Input Supply Voltage			4.5 30	V(min) V(max)
V_{OUT}	Output Voltage Adjustment Range			1.8 6.0	V(min) V(max)
$\Delta V_{OUT}/V_{OUT}$	Load Regulation	$0\text{ mV} \leq (\text{CSH-CSL}) \leq 75\text{ mV}$	0.3		%
$\Delta V_{OUT}/V_{OUT}$	Line Regulation	$4.5 \leq V_{IN} \leq 30\text{V}$	0.002		%/V
I_{IN}	Input Supply Current with the Switching Controller ON	$V_{FB} = 1\text{V}$, $V_{CSH} = 2.15\text{V}$, $V_{CSL} = 2.1\text{V}$	0.8	1.2/1.4	mA mA(max)
	Input Supply Current with the Switching Controller ON (Internal Rail is Supplied from CSL Pin)	$V_{FB} = 1\text{V}$, $V_{CSH} = 5.15\text{V}$, $V_{CSL} = 5\text{V}$	0.15		mA
	Input Supply Current with the IC Shut Down	$\overline{V_{SD}} = 0\text{V}$, $V_{IN} = 30\text{V}$	0.1	3 (Note 7)	μA $\mu\text{A(max)}$
	Minimum Output Voltage for CSL Providing the Internal Rail		3		V
I_{SS}	Soft Start Source Current	$V_{SS} = 1.5\text{V}$	10	5 13	μA $\mu\text{A(min)}$ $\mu\text{A(max)}$
	Soft Start Sink Current	$V_{SS} = 1.5\text{V}$	20		μA
V_{CL}	Current Limit Voltage (Voltage from CSH to CSL)	$V_{FB} = 1\text{V}$, $V_{CSL} = 1.8\text{V}$	110	90/80 130/140	mV mV(min) mV(max)
	V_{IN} Undervoltage Shutdown Latch Threshold	Rising Edge	3.5	2.8	V V(min)
	V_{OUT} Undervoltage Shutdown Latch Threshold		80	65	% V_{OUT} % $V_{OUT(min)}$
	V_{OUT} Low Regulation Comparator Enable Threshold		97		% V_{OUT}

Electrical Characteristics (Continued)

Specifications in standard type face are for $T_j = 25^\circ\text{C}$ and those with **boldface type** apply over **full operating junction temperature range**. $V_{IN} = 10\text{V}$, $\text{GND} = \text{PGND} = 0\text{V}$, unless otherwise stated. (Notes 5, 6)

Symbol	Parameter	Conditions	Typical	Limit	Units
	Hysteresis of Low Regulation Comparator		2		% V_{OUT}
	Regulator Window Detector Thresholds (PGOOD from High to Low)		91 or 109		% V_{OUT}
	Regulator Window Detector Thresholds (PGOOD from Low to High)		97 or 103		% V_{OUT}
Gate Drive					
V_{BOOT}	Bootstrap Voltage (Voltage from CBOOT to SW)	CBOOT Sourcing 100 μA	4.5	4.0	V V(min)
I_{BOOT}	CBOOT Leakage Current	$V_{CBOOT} = 7\text{V}$	100		nA
	High Drive Source Current	$V_{HDRV} = 0\text{V}$, $V_{CBOOT} = 5\text{V}$	0.3		A
	High Drive Sink Current	HDRV Forced to 5V	0.45		A
	Low Drive Source Current	LDRV Forced to 0V	0.35		A
	Low Drive Sink Current	LDRV Forced to 5V	0.55		A
	High-Side FET On-Resistance HDRV or LDRV		8		Ω
	Low-Side FET On-Resistance HDRV or LDRV		4		Ω
Oscillator					
F_{OSC}	Oscillator Frequency	FADJ Open	200	172/ 162 228/ 230	kHz kHz(min) kHz(max)
	Oscillator Frequency	FADJ Sourcing 2.94 μA (Note 8)	300	255 345	kHz kHz(min) kHz(max)
V_{FADJ}	Voltage at FADJ pin		1.03		V
D_{MAX}	Maximum Duty Cycle	FADJ Open	96	92	% %(min)
	Maximum Frequency of Synchronization	Low-Going 200 ns Wide Rectangular Pulses Applied at 400 kHz at the SYNC Input		400	kHz(min)
	Minimum Pulse Width of the SYNC Signal	SYNC Pulses are Low-Going		200	ns(min)
Error Amplifier					
I_{FB}	Feedback Input Bias Current	$V_{FB} = 1.3\text{V}$, $V_{CSH} = 5.15\text{V}$, $V_{CSL} = 5\text{V}$	100		nA
I_{COMP}	COMP Output Source Current	$V_{COMP} = 0.2\text{V}$, $V_{FB} = 1\text{V}$	50		μA
	COMP Output Sink Current	$V_{COMP} = 1.2\text{V}$, $V_{FB} = 1.4\text{V}$	50		μA
Voltage Reference					
V_{REF}	Reference Voltage (Nominal))	$I_{REF} = 0\mu\text{A}$	1.238	1.213/ 1.208 1.263/ 1.268	V V(min) V(max)
V_{REF}	Reference Voltage (Line Regulation)	$4.5\text{V} < V_{IN} < 30\text{V}$	1.238	1.213/ 1.208 1.263/ 1.268	V V(min) V(max)

Electrical Characteristics (Continued)

Specifications in standard type face are for $T_j = 25^\circ\text{C}$ and those with **boldface type** apply over **full operating junction temperature range**. $V_{IN} = 10\text{V}$, $\text{GND} = \text{PGND} = 0\text{V}$, unless otherwise stated. (Notes 5, 6)

Symbol	Parameter	Conditions	Typical	Limit	Units
	Reference Voltage (Load Regulation)	$0\ \mu\text{A} < I_{\text{REF}} < 50\ \mu\text{A}$	1.238	1.213/ 1.208 1.263/ 1.268	V V(min) V(max)
Logic Inputs and Outputs					
V_{IH}	Minimum High Level Input Voltage ($\overline{\text{SD}}$, FPWM and SYNC)			2.4	V(min)
V_{IL}	Maximum Low Level Input Voltage (FPWM and SYNC)			0.8	V(max)
	Maximum Low Level Input Voltage ($\overline{\text{SD}}$)			0.5	V(max)
	Maximum Input Leakage Current ($\overline{\text{SD}}$, FPWM and SYNC)	Logic Input Voltage 0V or 5V	± 0.1		μA
V_{OH}	PGOOD High Level Output Voltage	PGOOD Sourcing 50 μA	2.7	2.4	V V(min)
V_{OL}	PGOOD Low Level Output Voltage	PGOOD Sinking 50 μA	0	0.5	V V(max)

Note 1: Absolute maximum ratings indicate limits beyond which damage to the device may occur. Electrical specifications do not apply when operating the device outside of its rated operating conditions.

Note 2: The maximum allowable power dissipation is calculated by using $P_{D\text{max}} = (T_{j\text{max}} - T_A)/\theta_{JA}$, where $T_{j\text{max}}$ is the maximum junction temperature, T_A is the ambient temperature, and θ_{JA} is the junction-to-ambient thermal resistance of the specified package. The 720 mW rating results from using 160°C , 70°C , and $125^\circ\text{C}/\text{W}$ for $T_{j\text{max}}$, T_A , and θ_{JA} respectively. A θ_{JA} of $125^\circ\text{C}/\text{W}$ represents the worst-case condition of no heat sinking of the 20-pin TSSOP. Heat sinking allows the safe dissipation of more power. The Absolute Maximum power dissipation must be derated by 8 mW per $^\circ\text{C}$ above 70°C ambient. The LM2630 actively limits its junction temperature to about 160°C .

Note 3: For detailed information on soldering plastic small-outline packages, refer to the Packaging Databook available from National Semiconductor Corporation.

Note 4: For testing purposes, ESD was applied using the human-body model, a 100 pF capacitor discharged through a 1.5 k Ω resistor.

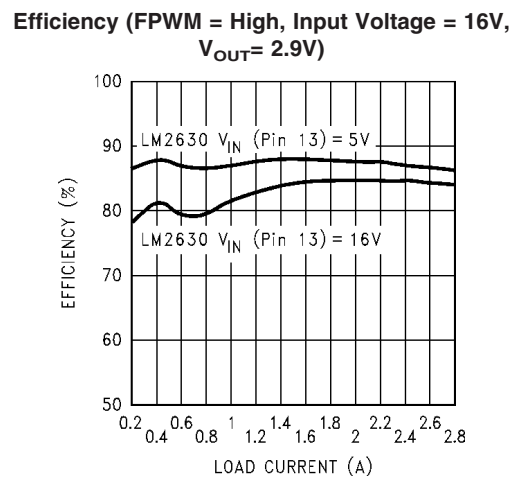
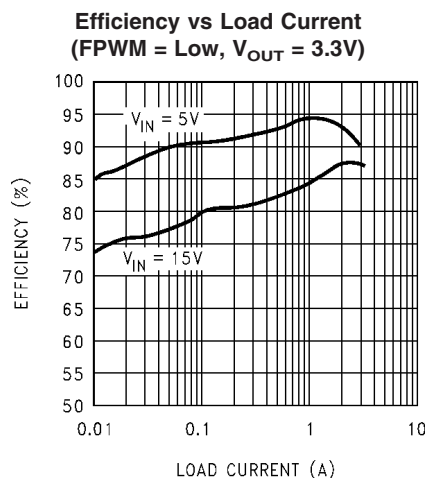
Note 5: A typical is the center of characterization data taken with $T_A = T_J = 25^\circ\text{C}$. Typical values are not guaranteed.

Note 6: All limits are guaranteed. All electrical characteristics having room-temperature limits are tested during production with $T_A = T_J = 25^\circ\text{C}$. All hot and cold limits are guaranteed by correlating the electrical characteristics to process and temperature variations and applying statistical process control.

Note 7: This limit is guaranteed by design.

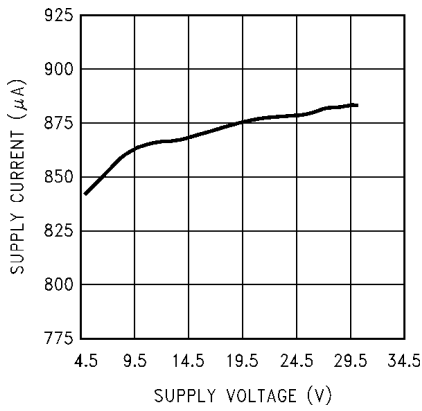
Note 8: Pulling 2.94 μA out of FADJ pin simulates adjusting the oscillator frequency with a 350 k Ω resistor connected from FADJ to GND.

Typical Performance Characteristics

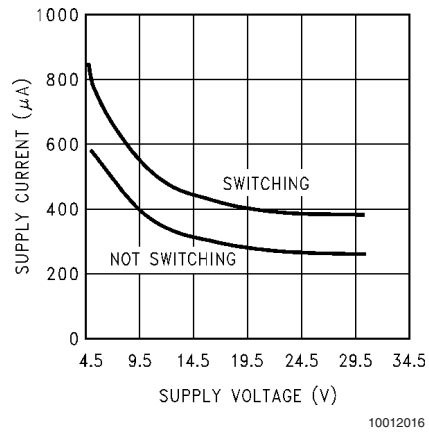


Typical Performance Characteristics (Continued)

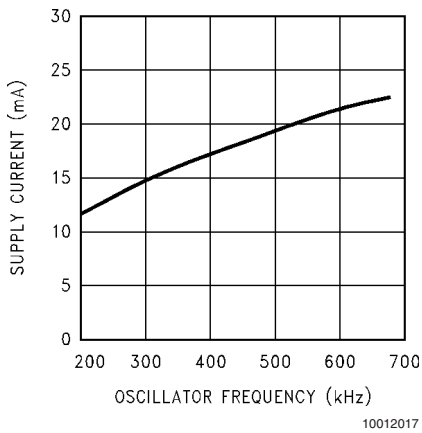
Quiescent Supply Current vs Supply Voltage
(Not Switching, FPWM = Low, $V_{OUT} = 2.0V$)



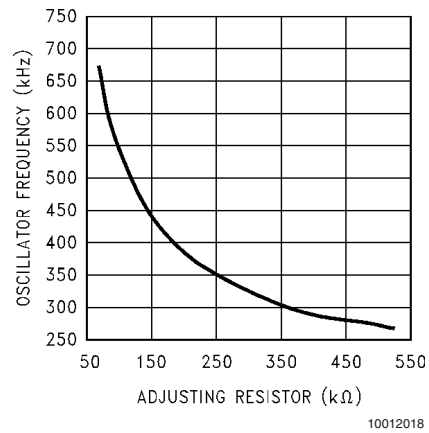
Quiescent Supply Current vs Supply Voltage
(FPWM = Low, $V_{OUT} = 3.3V$)



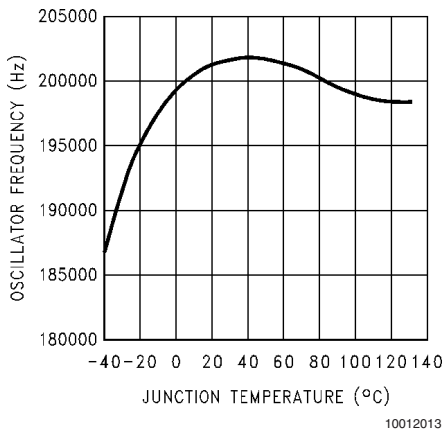
Supply Current vs Oscillator Frequency
(FPWM = High)



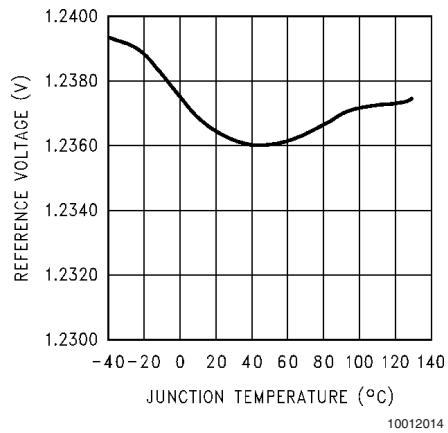
Oscillator Frequency vs Adjusting Resistor



Oscillator Frequency vs Junction Temperature

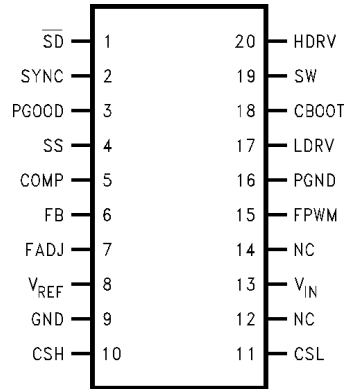


Reference Voltage vs Junction Temperature



Connection Diagram and Ordering Information

20-Lead TSSOP (MTC)



10012002

Top View

Order Number LM2630MTC-ADJ
See NS Package Number MTC20

Pin Descriptions

Pin	Name	Function
1	\overline{SD}	Shutdown control input, active low.
2	SYNC	Oscillator synchronization input. Connect this pin to ground if not used.
3	PGOOD	A constant monitor on the output voltage. PGOOD will go low if the output voltage exceeds $\pm 9\%$ of its nominal value. Once PGOOD goes low, it will go high if the output moves within $\pm 3\%$ of its nominal value.
4	SS	The soft-start control pin. A capacitor connected from this pin to ground sets the ramp time to full current output.
5	COMP	Compensation network connection (connected to the output of the voltage error amplifier).
6	FB	Output voltage feedback input (connected to the center of the external resistor divider).
7	FADJ	Frequency adjustment input.
8	VREF	The output of the precision reference.
9	GND	Low-noise analog ground.
10	CSH	Current-sense positive input.
11	CSL	Current-sense negative input.
12	NC	No internal connection.
13	V_{IN}	Main power supply pin.
14	NC	No internal connection.
15	FPWM	When FPWM is high, pulse-skipping mode operation at light load is disabled. The converter is forced to operate in constant frequency mode.
16	PGND	Power ground.
17	LDRV	Low-side gate-drive output.
18	CBOOT	Bootstrap capacitor connection for high-side gate drive.
19	SW	Switched-node connection, which is connected with the source of the high-side MOSFET.
20	HDRV	High-side gate-drive output. HDRV is a floating drive output that rides on SW voltage.

Operation (Continued)

on until the end of the cycle or until the inductor current reaches zero; when this occurs, the zero cross detector will disable the low-side driver to turn off the low-side switch. The zero cross detector is disabled in FPWM mode.

For any peak current mode step-down converter, a compensation ramp is needed to avoid subharmonic oscillations when the duty cycle is higher than 50%. For the LM2630, this compensation ramp is internally set to equal the maximum down slope of the current amplifier output:

$$M_c = M_{\text{DOWN (MAX)}} = n \times R_{\text{SEN}} \times \frac{V_{\text{OUT (MAX)}}}{L}$$

Where $n = 5$ is the gain of the current sense amplifier. The maximum output voltage equals 6V. Also, a 10 μH inductor and a 0.025 Ω sense resistor are assumed to determine the internal compensation ramp. Different values of inductor and sense resistor can be used as long as the resulted M_{DOWN} ($= n \times R_{\text{SEN}} \times V_{\text{OUT}}/L$) is less than M_c .

PULSE-SKIPPING MODE AT LIGHT LOAD

Pulse-skipping mode can be enabled by pulling PFWM pin low. This mode decreases switching frequency at light loads to reduce the switching frequency related losses. If PFWM is set at low, the controller goes into the pulse-skipping mode when the sensed inductor current goes below the 25 mV threshold set by the pulse-skipping comparator. In the pulse-skipping mode, the high-side switch only turns on at the beginning of a clock cycle when the voltage at the feedback pin falls below the reference voltage. Once the switch is on, it stays on until the sensed current rises to the 25 mV threshold

FAST TRANSIENT RESPONSE

When the output voltage fails to exceed 97% of the nominal level, the low voltage regulation (LREG) comparator will set the PWM logic to turn the high-side switch on at maximum duty cycle. This improves transient response since it bypasses the error amplifier and PWM comparator. During start-up, the LREG is disabled.

BOOST HIGH-SIDE GATE DRIVE

A flying capacitor is used to bootstrap the power supply for the high-side driver as illustrated in *Figure 1*. The boost capacitor is charged from an internal voltage rail (about 5.5V) through an internal diode when the synchronous rectifier (low-side MOSFET) is on, and then boosts up the high-side gate voltage to turn high-side MOSFET on at the beginning of next cycle. The internal diode connecting between the VIN pin and the CBOOT pin reduces the count of external components. For low input voltage application ($V_{\text{in}} < 5\text{V}$), some external charge pump circuitry can be used to boost the gate voltage in order to reduce conduction loss. Details will be discussed in the Application Circuits Section.

SUPPLY VOLTAGE FOR THE LM2630

When 5V is available, it is recommended to connect LM2630 V_{IN} (pin13) to 5V. This can improve efficiency (see the second figure in Typical Performance Characteristics), and also reduce power dissipation inside the IC. Since the 5V supply is only used to power the LM2630 (including the gate charge for the external MOSFETs), it only requires a small amount of current.

REFERENCE

The 1.238V reference is of $\pm 2.4\%$ accuracy over temperature. A 220 pF capacitor is recommended between the V_{REF} pin and ground. The load at the V_{REF} pin should not exceed 100 μA .

FREQUENCY CONTROL PIN (FADJ) AND SYNC PIN

With the FADJ pin open, the switching frequency is 200 kHz. The frequency can be increased by connecting a resistor between FADJ and ground. The device can also be synchronized with an external CMOS or TTL logic clock in the range from 200 kHz to 400 kHz. It is recommended to connect the SYNC pin to ground if not used.

PROTECTIONS

The current limit comparator provides the cycle-by-cycle current limit function by turning off the high-side MOSFET whenever the sensed current reaches 110 mV. A second level of current limit is accomplished by the 80% low voltage detector: if the load pulls the output voltage down below 80% of the nominal value, the device will turn off the high-side MOSFET and turn on the low-side MOSFET in a latched condition. This protection feature is disabled during startup. The latched condition can be reset by shutting the device down and then powering it up. Built-in input undervoltage lockout circuit will keep most of the internal function blocks off until the input voltage rises to about 3.5V.

SOFT START

A capacitor at the SS pin provides the soft start feature. When the regulator is first powered up, or when the $\overline{\text{SD}}$ pin goes high, a 10 μA current source charges up the SS capacitor from the 0.6V clamping voltage. The switch duty cycle starts with narrow pulses and gradually get wider as the SS pin voltage ramps up to about 1.3V, above which the duty cycle will be controlled by the maximum current limit until the output voltage rises to the nominal value and the regulator starts to operate in the normal current mode PWM control. The LM2630 use a digital counter, referenced to the oscillator frequency, to set the soft start timeout. The timeout is dependent on the switching frequency ($\text{timeout} = 4096/F_{\text{S}}$). If the output voltage doesn't move within the $\pm 3\%$ window of the nominal value during this period, the device will latch itself off.

POWER GOOD

The LM2630 provides a power good signal by monitoring the voltage at the FB pin and compared the feedback voltage with the V_{REF} voltage. Once the output voltage exceeds the $\pm 9\%$ window of the nominal value, the PGOOD pin goes low, and stays low until the output voltage returns to the $\pm 3\%$ window of the nominal value.

Design Procedure

Guidelines for selecting external components are discussed in this section.

INDUCTOR SELECTION

The most critical parameters for the inductor are the inductance, peak current and the dc resistance. The inductance is related to the switching frequency and the ripple current:

$$L = \frac{(V_{\text{IN}} - V_{\text{OUT}}) V_{\text{OUT}}}{V_{\text{IN}} \times I_{\text{RIPPLE}} \times F_{\text{S}}}$$

Design Procedure (Continued)

Higher switching frequency allows smaller inductor, but reduces the efficiency. A higher value of ripple current reduces inductance, but increase the conductance loss, core loss, current stress for the inductor and switch devices, and requires a bigger output capacitor for the same output voltage ripple requirement. A reasonable value is setting the ripple current to be 30% of the dc output current. Since the ripple current increase with the input voltage, the maximum input voltage is always used to determine the inductance. The dc resistance of the inductor is a key parameter for the efficiency. Lower dc resistance is available with a bigger winding area. A good tradeoff between the efficiency and the core size is letting the inductor copper loss equal to 2% of the output power.

INPUT CAPACITOR

A low ESR aluminum or tantalum capacitor is needed between the drain of the high-side MOSFET and ground to prevent large voltage transients from appearing at the input. The capacitor is selected based on the RMS current and voltage requirements. The RMS current is given by:

$$I_{\text{RMS}} = I_{\text{OUT}} \times \frac{\sqrt{V_{\text{OUT}} (V_{\text{IN}} - V_{\text{OUT}})}}{V_{\text{IN}}}$$

The RMS current reaches its maximum ($I_{\text{OUT}}/2$) when V_{IN} equals $2V_{\text{OUT}}$. A parallel of several capacitors may be required to meet the RMS current rating. For an aluminum capacitor, the voltage rating should be at least 25% higher than the maximum input voltage. If a tantalum capacitor is used, the voltage rating should be about twice the maximum input voltage. The tantalum capacitor should also be surge current tested by the manufacturer. It is also recommended to put a small ceramic capacitor (0.1 μF) between the V_{IN} pin and ground.

OUTPUT CAPACITOR

The selection of C_{OUT} is driven by the maximum allowable output voltage ripple. The output ripple in FPWM mode is approximated by:

$$V_{\text{RIPPLE}} = I_{\text{RIPPLE}} \left(\text{ESR} + \frac{1}{8F_{\text{S}}C_{\text{OUT}}} \right)$$

The ESR term plays the dominant role in determining the voltage ripple. Low ESR aluminum electrolytic or tantalum capacitors (such as Nichicon PL series, Sanyo OS-CON, Sprague 593D, 594D, and AVX TPS) are recommended. Electrolytic capacitors are not recommended for temperature below -25°C since their ESR rises dramatically at cold temperature. Tantalum capacitors have a much better ESR specification at cold temperatures and are preferred for low temperature applications.

POWER MOSFETS

Two N-channel logic-level MOSFETs are required for this application. MOSFETs with low on-resistance and total gate charge are recommended to achieve high efficiency. The drain-source breakdown voltage ratings are recommended to be 1.2 times the maximum input voltage.

SCHOTTKY DIODE D_1

The Schottky diode D_1 is used to prevent the intrinsic body diode of the low-side MOSFET Q_2 from conducting during the dead time when both MOSFETs are off. Since the forward voltage of D_1 is less than the body diode, efficiency can be improved. The breakdown voltage rating of D_1 is preferred to be 25% higher than the maximum input voltage. Since D_1 is only on for a short period of time (about 200 ns each cycle), the average current rating for D_1 only requires to be higher than 30% of the maximum output current. It is important to place D_1 very close to the drain and source of Q_2 , extra parasitic inductance in the parallel loop will slow the turn-on of D_1 and direct the current through the body diode of Q_2 .

R_1 AND R_2 (PROGRAMMING OUTPUT VOLTAGE)

Use the following formula to select the appropriate resistor values:

$$V_{\text{OUT}} = V_{\text{REF}}(1 + R_1/R_2)$$

where $V_{\text{REF}} = 1.238\text{V}$

Select a value for R_2 between 10k Ω and 100k Ω . (Use 1% or higher accuracy metal film resistors).

CURRENT SENSE RESISTOR

The value of the sense resistor is determined by the minimum current limit voltage and the maximum peak current. It can be calculated as follows:

$$R_3 = \frac{V_{\text{CL}}(\text{MIN})}{(I_{\text{MAX}} + \frac{I_{\text{RIPPLE}}}{2})(1 + \text{TF})}$$

where TF is the tolerance factor of the sense resistor.

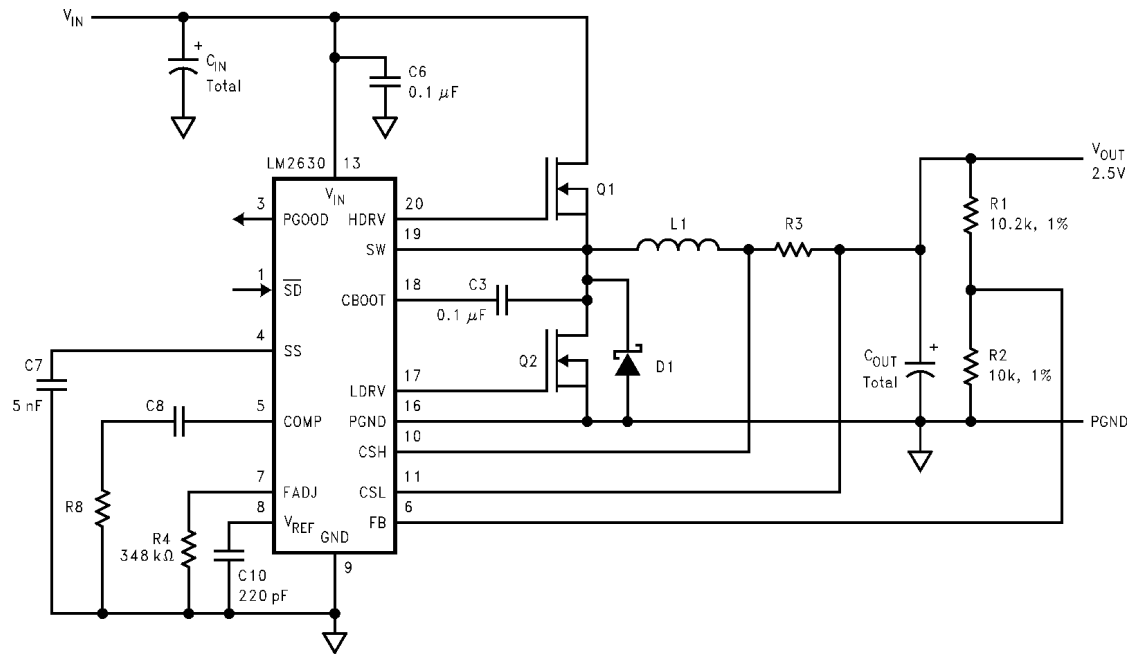
PCB LAYOUT CONSIDERATIONS

Layout is critical to reduce noises and ensure specified performance. The important guidelines are listed as follows:

1. Minimize the parasitic inductance in the loop of input capacitors and MOSFETs: Q_1 , Q_2 by using wide and short traces. This is important because the rapidly switching current, together with wiring inductance can generate large voltage spikes which can cause noise problems.
2. Always minimize the high-current ground traces: such as the traces from PGND pin to the source of Q_2 , then to the negative terminals of the output capacitors.
3. Use dedicated (Kelvin sense) and short traces from CSH, CSL pins to the sense resistor, R_3 . Keep these traces away from noise traces (such as SW trace, and gate traces).
4. Minimize the traces connecting Q_2 and the Schottky diode. Any parasitic inductance in the loop can delay the turn-on of the Schottky diode, which diminishes the efficiency gain from adding D_1 .
5. Minimize the traces from drivers (HDRV pin and LDRV pin) to the MOSFETs gates.
6. Minimize the trace from the center of the output resistor divider to the FB pin and keep it away from noise sources to avoid noise pickup. A dedicated sense trace (separated from the power trace) can be used to connect the top of the resistor divider to the output. The sense trace ensures tight regulation at the output.

Application Circuits

A typical application circuit is shown in *Figure 2*, with some of the components values shown in *Table 1*.



10012004

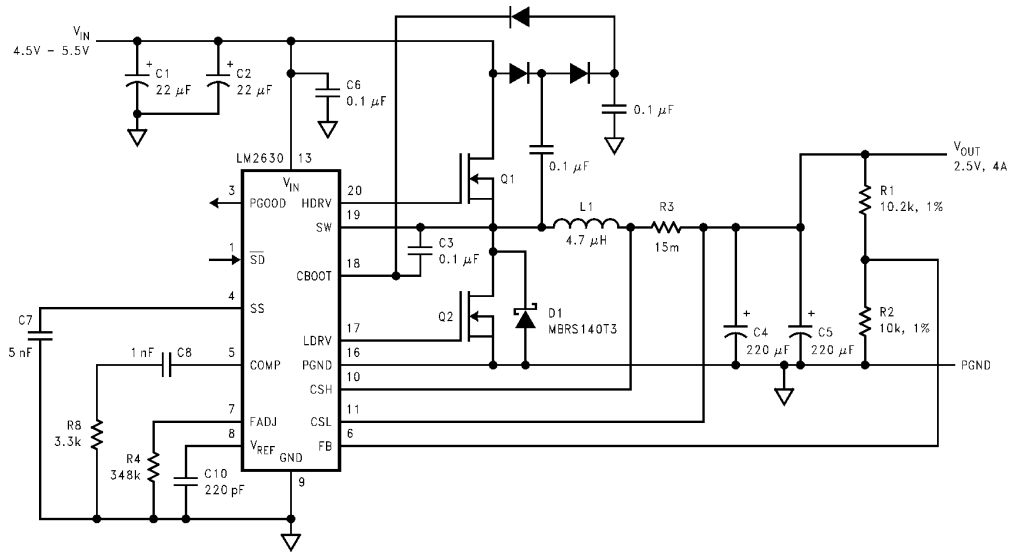
FIGURE 2. The Typical 2.5V Application Circuit

TABLE 1. Components for Typical 2.5V, 300kHz Application Circuits

Input Voltage	4.75V to 24V	4.5V to 6V
Output Current	4A	10A
Application	Notebook	Desktop
Q1 and Q2	Fairchild FDS6680; Siliconix Si4410DY; or International Rectifier IRF7805	Fairchild FDB7030L; or Motorola MTB75N03HDL
Inductor L1	Sumida CDRH127-7R6: 7.6μH, 5.9A	Pulse PE-53681: 2.5 μH, 11.4A
Input Capacitors	2 x 22μF, 35V Sprague 593D or TPS	2 x 220 μF, 10V Sanyo OS-CON SA
Output Capacitors	2 x 220μF, 10V Sprague 593D or TPS	3 x 330 μF, 6.3V Sanyo OS-CON SA
Rectifier D1	Motorola MBRS140T3	Motorola MBRS340T3
Sensing Resistor R3	15 mΩ IRC	3 x 20 mΩ IRC
Compensation components C8 and R8	R8 = 3.3 KΩ, C8 = 1 nF	R8 = 4 KΩ, C8 = 1nF

When the input voltage is low (less than 5V), the bootstrap function cannot deliver enough gate voltage to fully drive the high-side MOSFET on, which increases R_{dson} , and consequently reduces efficiency. An external charge-pump doubler

can be added to double the CBOOT pin voltage (see *Figure 3*). It can also be added to the VIN pin to increase the gate drive voltage at both high-side and low-side MOSFETs.

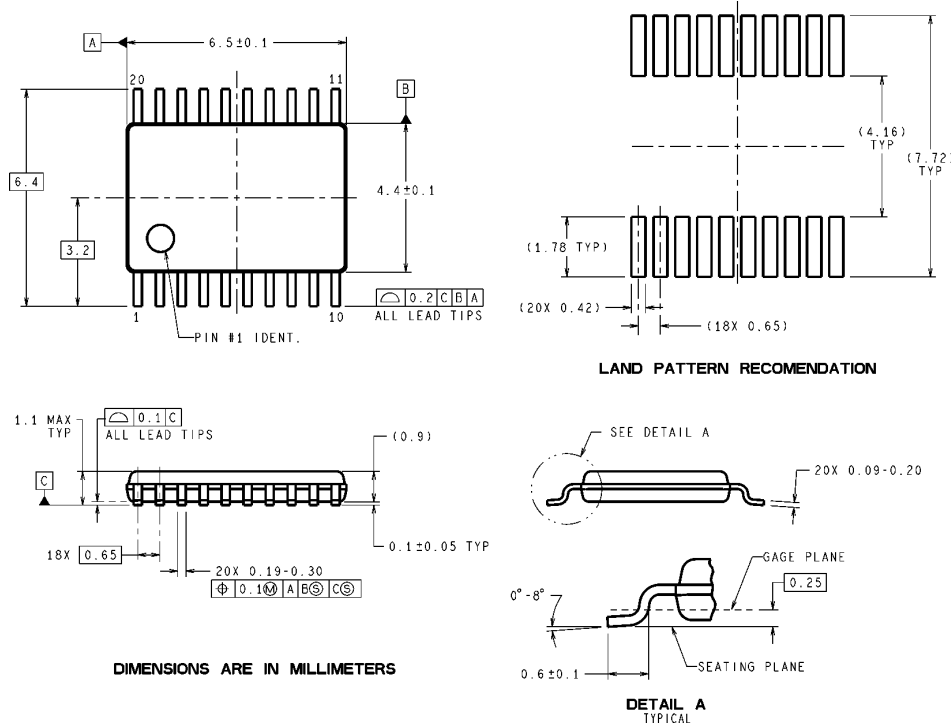


10012005

FIGURE 3. High Efficiency, 300 kHz, 5V to 2.5V Converter.
Efficiency is 94% (typ) at 1A load.

Physical Dimensions inches (millimeters)

unless otherwise noted



MTC20 (Rev E)

20-Lead TSSOP (MTC)
Order Number LM2630MTC-ADJ
NS Package Number MTC20

National does not assume any responsibility for use of any circuitry described, no circuit patent licenses are implied and National reserves the right at any time without notice to change said circuitry and specifications.

For the most current product information visit us at www.national.com.

LIFE SUPPORT POLICY

NATIONAL'S PRODUCTS ARE NOT AUTHORIZED FOR USE AS CRITICAL COMPONENTS IN LIFE SUPPORT DEVICES OR SYSTEMS WITHOUT THE EXPRESS WRITTEN APPROVAL OF THE PRESIDENT AND GENERAL COUNSEL OF NATIONAL SEMICONDUCTOR CORPORATION. As used herein:

- Life support devices or systems are devices or systems which, (a) are intended for surgical implant into the body, or (b) support or sustain life, and whose failure to perform when properly used in accordance with instructions for use provided in the labeling, can be reasonably expected to result in a significant injury to the user.
- A critical component is any component of a life support device or system whose failure to perform can be reasonably expected to cause the failure of the life support device or system, or to affect its safety or effectiveness.

BANNED SUBSTANCE COMPLIANCE

National Semiconductor manufactures products and uses packing materials that meet the provisions of the Customer Products Stewardship Specification (CSP-9-111C2) and the Banned Substances and Materials of Interest Specification (CSP-9-111S2) and contain no "Banned Substances" as defined in CSP-9-111S2.

Leadfree products are RoHS compliant.



National Semiconductor
Americas Customer
Support Center
 Email: new.feedback@nsc.com
 Tel: 1-800-272-9959

National Semiconductor
Europe Customer Support Center
 Fax: +49 (0) 180-530 85 86
 Email: europe.support@nsc.com
 Deutsch Tel: +49 (0) 69 9508 6208
 English Tel: +44 (0) 870 24 0 2171
 Français Tel: +33 (0) 1 41 91 8790

National Semiconductor
Asia Pacific Customer
Support Center
 Email: ap.support@nsc.com

National Semiconductor
Japan Customer Support Center
 Fax: 81-3-5639-7507
 Email: jpn.feedback@nsc.com
 Tel: 81-3-5639-7560