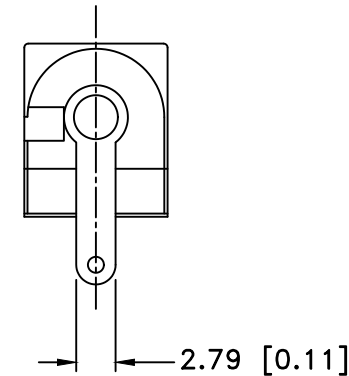
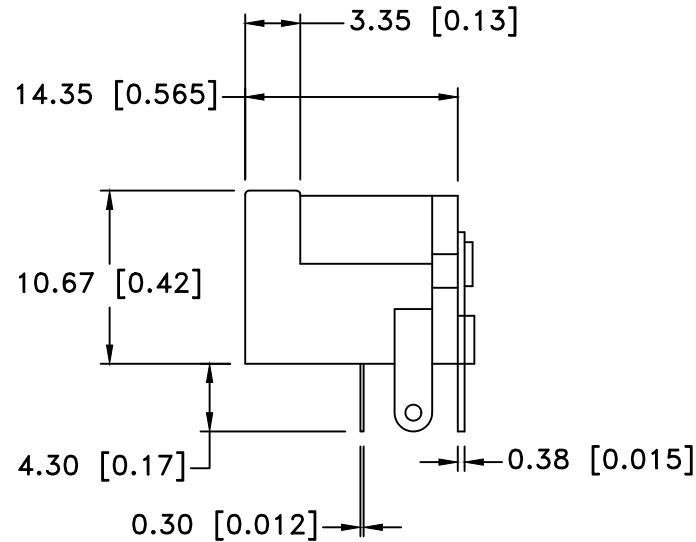
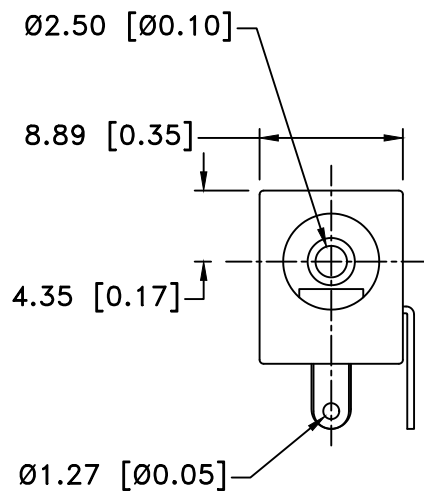
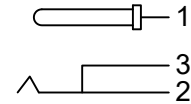


PCB LAYOUT



SCHEMATIC



Date	SYM	REVISION RECORD	AUTH	DR.	CK.
07/14/16	F	UPDATED LEFT SIDE VIEW	T.B.	B.S.	
07/25/19	G	DIM. 14.35 WAS 13.50 DIM. 3.35 WAS 3.40 DIM. 10.67 WAS 10.85 DIM. 1.27 WAS 1.35 DIM. 0.30 WAS 0.25	T.B.	B.S.	

NOTES:


MATERIAL:

- 1) PIN TERMINAL: 0.4T BRASS SILVER PLATED
- 2) SLEEVE SPRING: 0.2T PHOSPHOR BRONZE
- 3) BREAK TERMINAL: 0.3T BRASS
- 4) PIN (Ø2.0): COPPER
- 5) HOUSING: PBT
- 6) COVER: PBT

ROHS COMPLIANT

ELECTRICAL SPECS:

1. LIFE: 10,000 INSERTION/WITHDRAWAL CYCLE MINIMUM
2. CONTACT RESISTANCE: 50mΩ MAXIMUM
3. INSULATION RESISTANCE: 1000mΩ MINIMUM
4. DIELECTRIC WITHSTANDING VOLTAGE: 500AC MAXIMUM
5. MAXIMUM RATING: 5A, 12V DC

Tolerance (Except as noted)	 Memory Protection Devices, Inc 200 Broad Hollow Road, Farmingdale, New York 11735		
	decimal ±.5 (.020)	Scale	Drawn By B.S. Approved By T.B.
Fractional ± .8 (.030)	Title DC JACK - PCB MOUNTING 2.5 I.D. x 5.5 O.D.		
Angular ± 3°	Date 07/25/19	Drawing Number EJ508B	