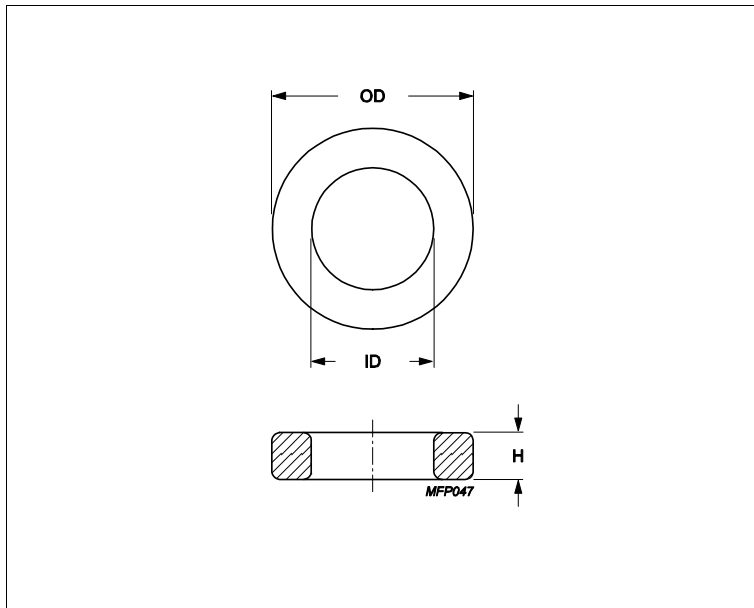


Core **Toroid 22/14/13**



Effective parameters			
	Parameter	Value	Unit
$\Sigma(I/A)$	core factor (C1)	1.07	mm ⁻¹
Ve	effective volume	2750	mm ³
Le	effective length	54.2	mm
Ae	effective area	50.9	mm ²
m	mass of core	≈ 14	g/pcs

Epoxy coating DC isolation voltage 2000.

Maximum operating temperature of the coating is 200°C.

Dimensions (mm)

Cores	OD	ID	H	
TX22/14/13	23.05 max	12.87 min	13.55 max	Epoxy Coated

Core data

Cores	Material	AI (nH/turns ²)	AI tolerance	$\mu\epsilon$
TX22/14/13	3C94	2700	± 25%	≈ 2300
TX22/14/13	3E10	11700	± 20%	≈ 10000
TX22/14/13	3E12	14100	± 30%	≈ 12000
TX22/14/13	3E27	6460	± 25%	≈ 5500
TX22/14/13	3E6 (3E10-M)	11700	± 30%	≈ 10000
TX22/14/13	3E65	6100	± 25%	≈ 5200