

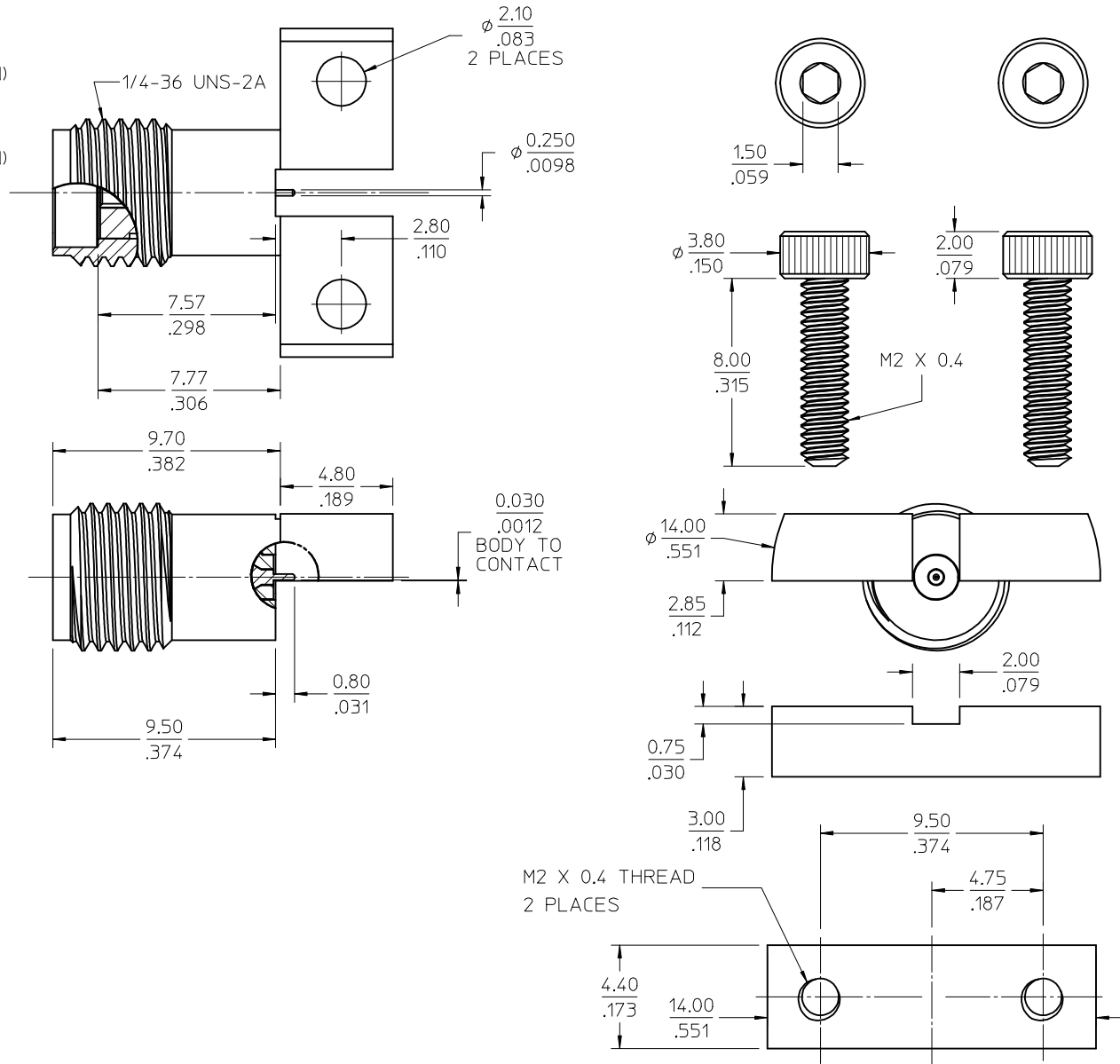
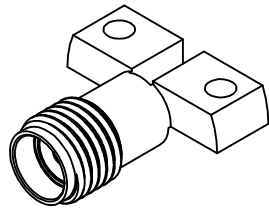
MATERIALS:

BODY, BOTTOM BRACKET: BRASS
 PLATED GOLD (0.15µm MIN) OVER NICKEL (HIGH PHOS 2 µm MIN)

CENTER CONTACT: BERYLLIUM COPPER
 PLATED GOLD (0.15µm MIN) OVER NICKEL (HIGH PHOS 2 µm MIN)

INSULATOR: PTFE

SCREW: 12.9 ALLOY STEEL



PART # 73251-4710

PS-89675-3460	PRODUCT SPECIFICATION
MIL-STD-348A, FIG. 310-2	INTERFACE
SPECIFICATION	DESCRIPTION

CHG: RELEASE
 DRAWING

EC NO: URF2014-0136
 DRW: AROBERTSON 2013/08/30
 CHK: D:SSS 2013/08/30
 APPR: JWIENER 2013/09/12

REV	DESCRIPTION
▽=0	
▽=0	
▽=0	

GENERAL TOLERANCES (UNLESS SPECIFIED)

	mm	INCH
4 PLACES	± .005	± .0002
3 PLACES	± .002	± .0001
2 PLACES	± .001	± .00005
1 PLACE	± .0005	± .00002

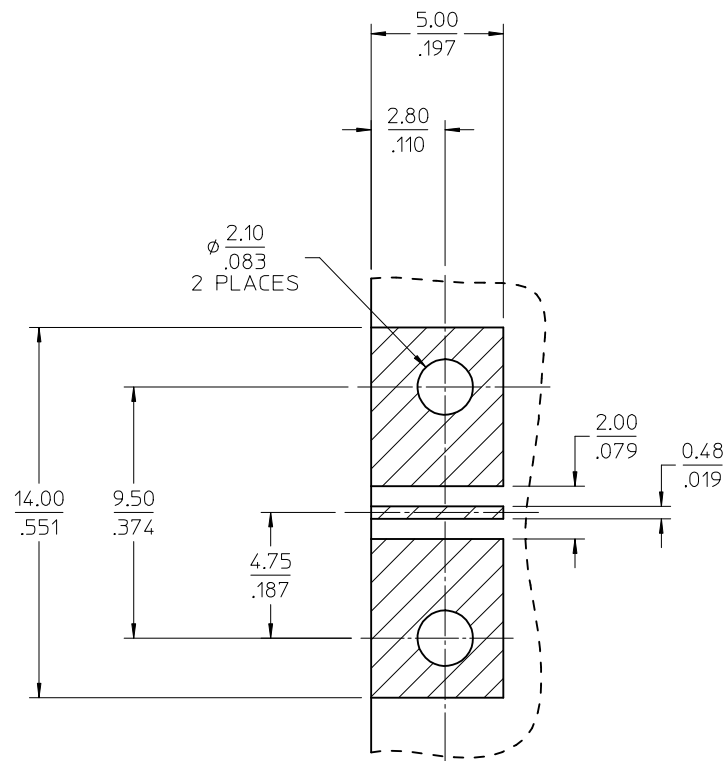
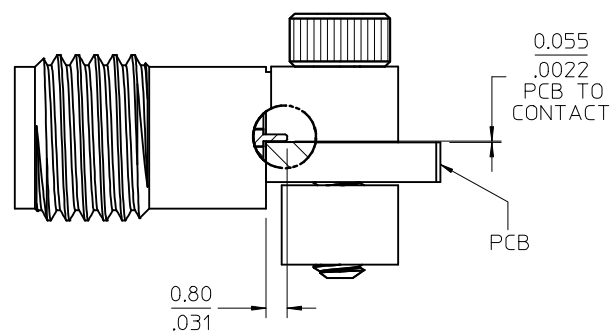
ANGULAR ± 2 °

DRAFT WHERE APPLICABLE
 MUST REMAIN
 WITHIN DIMENSIONS

DIMENSION STYLE	
MM/IN	
DRAWN BY	DATE
AROBERTSON	2012/02/09
CHECKED BY	DATE
SSS	2012/02/09
APPROVED BY	DATE
JWIENER	2013/09/12
MATERIAL NO.	
732514710	
SIZE	
C	

SCALE	DESIGN UNITS	THIRD ANGLE PROJECTION
	INCH	
TITLE		
SMA J EDGE LAUNCH FR PCB SCREW MOUNT SMA-J/PCB, EWR-4893		
MOLEX MOLEX INCORPORATED		
DOCUMENT NO.	SHEET NO.	
SD-73251-471	1 OF 2	

THIS DRAWING CONTAINS INFORMATION THAT IS PROPRIETARY TO MOLEX INCORPORATED AND SHOULD NOT BE USED WITHOUT WRITTEN PERMISSION



PCB LAYOUT

CHG: SEE SHEET 1. EC NO: URF2014-0136 DRWN: AROBERTSON 2013/08/30 CHKD: SSS 2013/08/30 APPR: JWIENER 2013/09/12	QUALITY SYMBOLS	GENERAL TOLERANCES (UNLESS SPECIFIED)		DIMENSION STYLE	SCALE	DESIGN UNITS	THIRD ANGLE PROJECTION
	$\nabla = 0$	mm	INCH	MM/IN		INCH	
	$\nabla = 0$	4 PLACES ± ---	± ---	AROBERTSON	DATE	TITLE	
	$\nabla = 0$	3 PLACES ± ---	± ---	CHECKED BY	DATE	SMA J EDGE LAUNCH FR PCB SCREW MOUNT SMA-J/PCB, EWR-4893	
		2 PLACES ± ---	± ---	SSS	2012/02/09		
		1 PLACE ± ---	± ---	APPROVED BY	DATE		
		ANGULAR ± 2°		JWIENER	2013/09/12		
		DRAFT WHERE APPLICABLE MUST REMAIN WITHIN DIMENSIONS		MATERIAL NO.	DOCUMENT NO.		SHEET NO.
A				SEE SHEET 1		MOLEX INCORPORATED	2 OF 2
				SIZE	THIS DRAWING CONTAINS INFORMATION THAT IS PROPRIETARY TO MOLEX INCORPORATED AND SHOULD NOT BE USED WITHOUT WRITTEN PERMISSION		