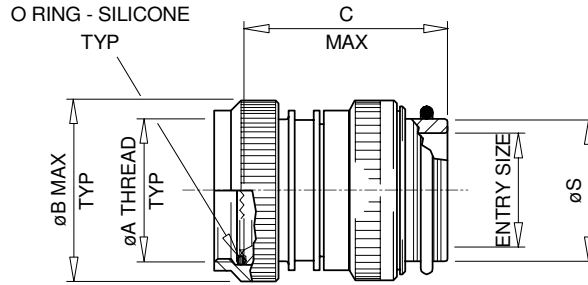
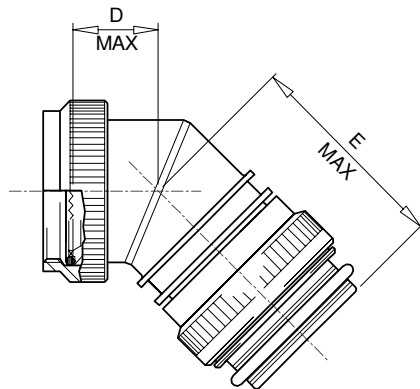
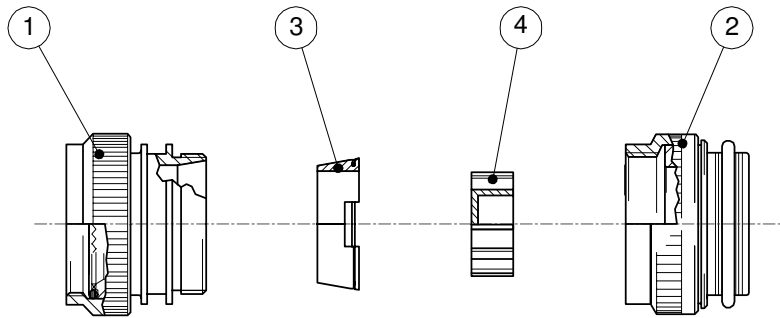


# SPECIFICATION CONTROL DRAWING

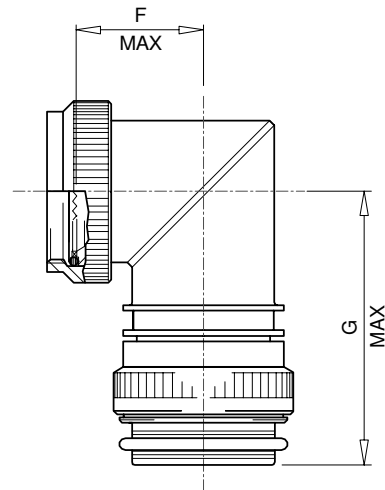
REV: <b>A</b>	DCR # D060250	DATE: AUG 17, 2006
------------------	------------------	-----------------------



**STRAIGHT ADAPTOR**  
- 00



**45° ADAPTOR**  
- 45



**90° ADAPTOR**  
- 90

© 2006 Tyco Electronics Corporation. All rights reserved.

	Product Brand: <b>Raychem</b> 300 Constitution Drive Menlo Park, CA 94025, USA	TITLE: <b>HEXASHIELD ADAPTOR FOR CODE 41 CONNECTORS- TINEL CLAMPING NUT</b>			
UNLESS OTHERWISE SPECIFIED DIMENSIONS ARE IN MILLIMETERS. INCH DIMENSIONS ARE SHOWN IN BRACKETS	Tyco Electronics reserves the right to amend this drawing at any time. Users should evaluate the suitability of the product for their application.	DOCUMENT NO. <b>HEX41-AY-YY-YY-AYY-2-YY</b>			
DRAWN: IRT	DATE: FEB 03	<table border="1" style="width: 100%; border-collapse: collapse;"> <tr> <td style="width: 33%;">FILE: D060250</td> <td style="width: 33%;">SCALE: NONE</td> <td style="width: 33%;">SHEET: 1 OF 4</td> </tr> </table>	FILE: D060250	SCALE: NONE	SHEET: 1 OF 4
FILE: D060250	SCALE: NONE	SHEET: 1 OF 4			

# SPECIFICATION CONTROL DRAWING

REV: <b>A</b>	DCR # D060250	DATE: AUG 17, 2006
------------------	------------------	-----------------------

## KIT DESCRIPTION



ITEM	DESCRIPTION	MATERIAL
1	BODY ASSEMBLY	ALUMINIUM ALLOY
2	TINEL CLAMPING ADAPTOR ASSEMBLY	ALUMINIUM ALLOY
	TINEL-LOCK™ RING	TINEL-X™
3	CONIC RING	ALUMINIUM ALLOY
4	STAR	ALUMINIUM ALLOY

## TABLE OF DIMENSIONS

Order Number	Shell Size		Tinel Entry Size	ØA Thread UNEF 2B	ØB Max	ØC Max	D Max	E Max	F Max	G Max	Ferrule Quantity	
	Ser I	Ser II									Std.	Opt.
09	09	08	05	0.4375"-28	19.0 [0.75"]	38.5 [1.52"]	12.5 [0.49"]	38.5 [1.52"]	16.0 [0.63"]	42.0 [1.65"]	1	-
11	11	10	08	0.5625"-24	22.0 [0.87"]	38.5 [1.52"]	13.0 [0.51"]	39.0 [1.54"]	17.5 [0.69"]	43.5 [1.71"]	2	-
13	13	12	10	0.6875"-24	25.5 [1.00"]	38.5 [1.52"]	14.0 [0.55"]	39.5 [1.56"]	19.0 [0.75"]	45.0 [1.77"]	3	-
15	15	14	12	0.8125"-20	30.5 [1.20"]	38.5 [1.52"]	14.5 [0.57"]	40.5 [1.60"]	20.5 [0.81"]	46.5 [1.83"]	5	-
17	17	16	14	0.9375"-20	33.5 [1.32"]	38.5 [1.52"]	15.0 [0.59"]	41.0 [1.61"]	22.0 [0.87"]	48.0 [1.89"]	6	7
19	19	18	16	1.0625"-18	37.0 [1.46"]	38.5 [1.52"]	15.5 [0.61"]	41.5 [1.63"]	23.5 [0.93"]	49.5 [1.95"]	7	8
21	21	20	18	1.1875"-18	38.5 [1.52"]	38.5 [1.52"]	16.5 [0.65"]	42.5 [1.67"]	25.5 [1.00"]	51.5 [2.03"]	9	11
23	23	22	20	1.3125"-18	42.0 [1.65"]	38.5 [1.52"]	17.0 [0.67"]	43.0 [1.69"]	27.0 [1.06"]	53.0 [2.09"]	10	13
25	25	24	20	1.4375"-18	46.5 [1.83"]	46.0 [1.81"]	18.0 [0.71"]	51.5 [2.03"]	28.5 [1.12"]	62.0 [2.44"]	12	18

Tinel Entry Size	ØS
05	10.97/11.13 [0.432/0.438"]
08	15.72/15.91 [0.619/0.626"]
10	18.84/19.11 [0.742/0.752"]
12	22.02/22.28 [0.867/0.877"]

Tinel Entry Size	ØS
14	25.17/25.46 [0.991/1.002"]
16	28.34/28.63 [1.116/1.127"]
18	31.52/31.81 [1.241/1.252"]
20	34.69/34.98 [1.366/1.377"]

	Product Brand:  300 Constitution Drive Menlo Park, CA 94025, USA	TITLE: <h3 style="text-align: center;">HEXASHIELD ADAPTOR FOR CODE 41 CONNECTORS- TINEL CLAMPING NUT</h3>			
UNLESS OTHERWISE SPECIFIED DIMENSIONS ARE IN MILLIMETERS. INCH DIMENSIONS ARE SHOWN IN BRACKETS	Tyco Electronics reserves the right to amend this drawing at any time. Users should evaluate the suitability of the product for their application.	DOCUMENT NO. <h3 style="text-align: center;">HEX41-AY-YY-YY-AYY-2-YY</h3>			
DRAWN: IRT	DATE: FEB 03	<table style="width: 100%; border-collapse: collapse;"> <tr> <td style="width: 33%;">FILE: D060250</td> <td style="width: 33%;">SCALE: NONE</td> <td style="width: 34%;">SHEET: 2 OF 4</td> </tr> </table>	FILE: D060250	SCALE: NONE	SHEET: 2 OF 4
FILE: D060250	SCALE: NONE	SHEET: 2 OF 4			

# SPECIFICATION CONTROL DRAWING

REV: <b>A</b>	DCR # D060250	DATE: AUG 17, 2006
------------------	------------------	-----------------------

## PART NUMBERING

HEX41 - A B - 00 - 21 - A9 - 2 - DS

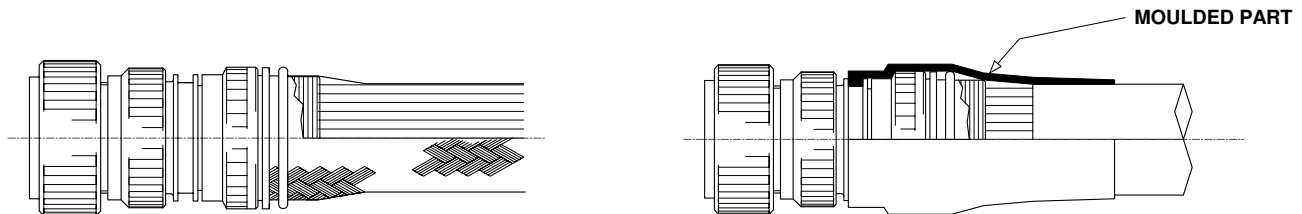
- CONNECTOR CODE NUMBER: \_\_\_\_\_  
HEX41 = MIL-C-38999 SERIES I AND II
- MATERIAL CODE: \_\_\_\_\_  
A = ALUMINIUM ALLOY
- PLATING CODE: \_\_\_\_\_  
B = CADMIUM OLIVE DRAB TO QQ-P-416  
C = ELECTROLESS NICKEL TO MIL-C-26074
- BODY STYLE \_\_\_\_\_  
00 = STRAIGHT  
45 = 45°  
90 = 90°
- ORDER NUMBER \_\_\_\_\_
- FERRULE QUANTITY CODE \_\_\_\_\_
- 2 = TINEL CLAMPING ADAPTOR ASSEMBLY \_\_\_\_\_
- DS = DRILLED STAR - OPTIONAL - SEE NOTE 2 \_\_\_\_\_

## APPLICATION

- These adaptors are designed to be mounted on the following connectors:

MIL-C-38999 Series I and II

- They are qualified to the Raychem specification RB-114, when installed on metallic Mil-Specification circular connectors only.
- They are designed for wire bundle installations having an overall braid terminated by means of a Tinel-Lock™ ring\*.
- They are also designed to accept Raychem heat shrink moulded parts where strain relief is required – see illustrations.



- Use in conjunction with the ferrules HET-A-0XX, which are purchased separately. Refer to HET-A-0XX S.C.D. for relevant selection details.
- \* Refer to TR S.C.D. for further information on Tinel-Lock™ rings.

## INSTALLATION

- See Installation Procedure RPIP-696-04.

## PACKAGING

- All components are supplied in a plastic bag.

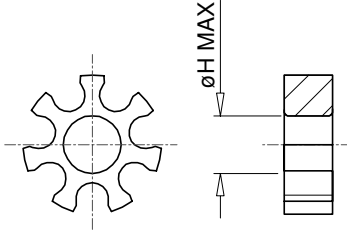
		Product Brand:  300 Constitution Drive Menlo Park, CA 94025, USA	TITLE: <b>HEXASHIELD ADAPTOR FOR                  CODE 41 CONNECTORS-                  TINEL CLAMPING NUT</b>		
UNLESS OTHERWISE SPECIFIED DIMENSIONS ARE IN MILLIMETERS. INCH DIMENSIONS ARE SHOWN IN BRACKETS		Tyco Electronics reserves the right to amend this drawing at any time. Users should evaluate the suitability of the product for their application.		DOCUMENT NO. <b>HEX41-AY-YY-YY-AYY-2-YY</b>	
DRAWN:	DATE:	FILE:		SCALE:	SHEET:
IRT	FEB 03	D060250		NONE	3 OF 4

# SPECIFICATION CONTROL DRAWING

REV: <b>A</b>	DCR # D060250	DATE: AUG 17, 2006
------------------	------------------	-----------------------

**NOTES!**

1. Item 4 - Star - is **not** supplied with Hexashield Order Number 09.
2. The DS option, illustrated below, is for a Drilled Star that is available on sizes 15 to 25 only. This option is to allow unshielded wires to pass through the assembly.

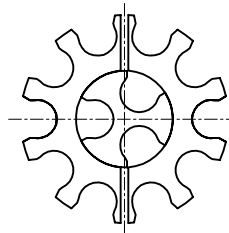


STAR SIZE	15	17	19	21	23	25
ØH MAX	3.0 [0.12"]	6.0 [0.24"]	9.0 [0.35"]	12.0 [0.47"]	15.0 [0.59"]	18.0 [0.71"]

3. Where the ferrule quantities required are standard, the item 4 - Star - is also standard.  
If the optional quantity is selected then 2 items 4 will be supplied - one "split" and the other one standard\*,  
See below for illustration.

EXAMPLE: FERRULE QUANTITY CODE -A13

-A13 = -A10 SPLIT STAR + -A3 STANDARD STAR



\* On Order Number 19 only, the Optional Ferrule quantity of 8 uses a "standard" star also.

4. Assembly is to be permanently marked with Code Identity Number and Part Number.  
(e.g. 06090 HEX41-AB-00-21-A9-2)

		Product Brand: 300 Constitution Drive Menlo Park, CA 94025, USA		TITLE: <p style="text-align: center; margin: 0;"><b>HEXASHIELD ADAPTOR FOR CODE 41 CONNECTORS- TINEL CLAMPING NUT</b></p>	
UNLESS OTHERWISE SPECIFIED DIMENSIONS ARE IN MILLIMETERS. INCH DIMENSIONS ARE SHOWN IN BRACKETS		Tyco Electronics reserves the right to amend this drawing at any time. Users should evaluate the suitability of the product for their application.		DOCUMENT NO. <p style="text-align: center; margin: 0;"><b>HEX41-AY-YY-YY-AYY-2-YY</b></p>	
DRAWN: IRT	DATE: FEB 03	FILE: D060250	SCALE: NONE	SHEET: 4 OF 4	