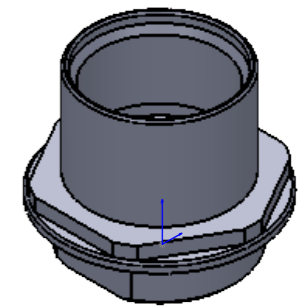
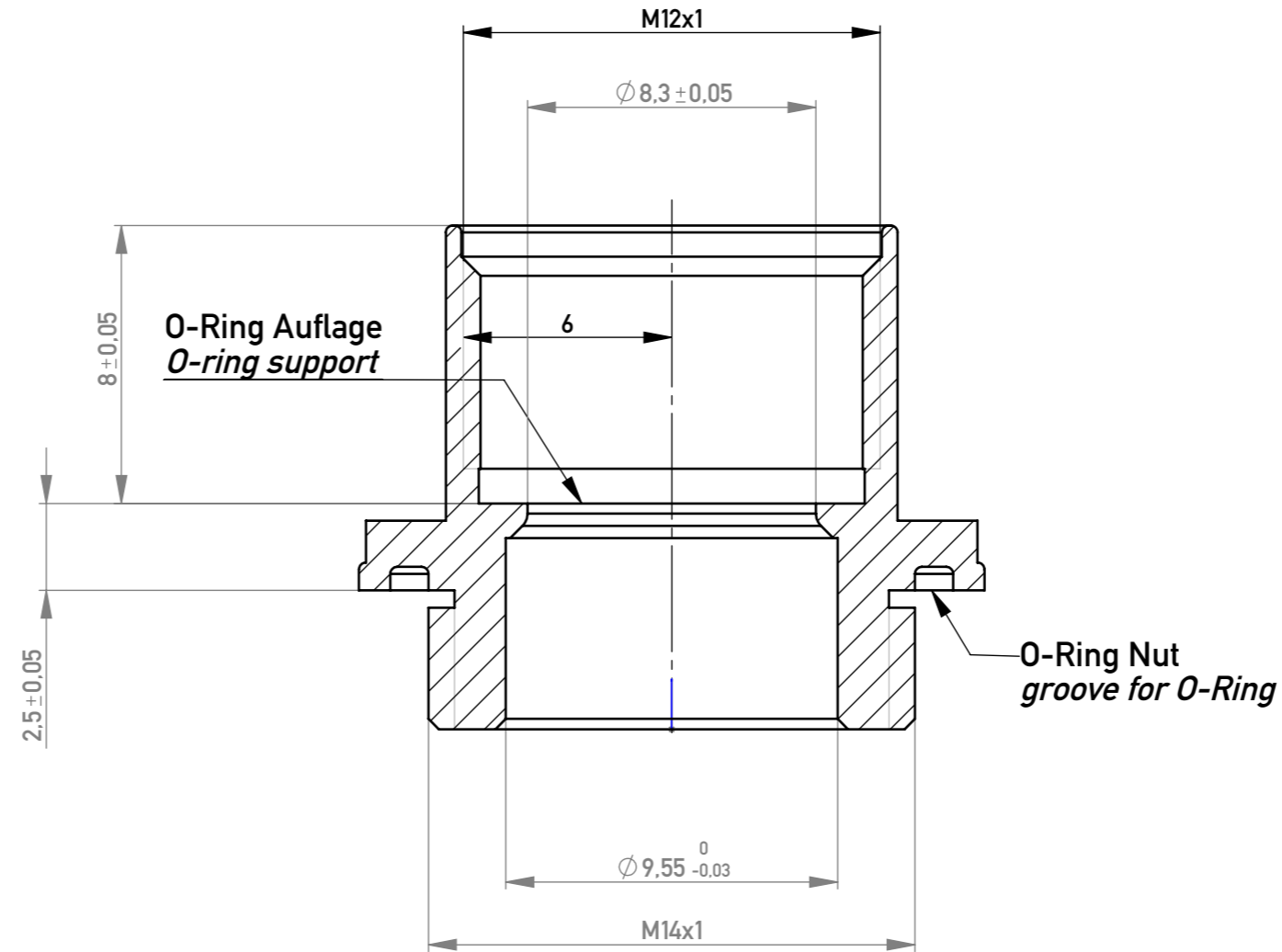
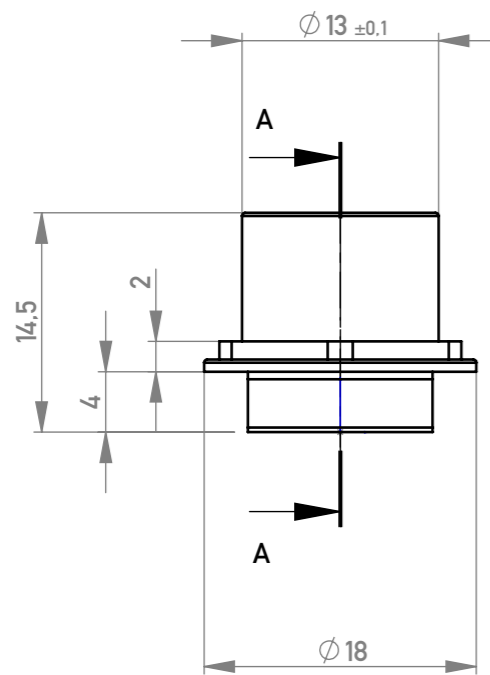
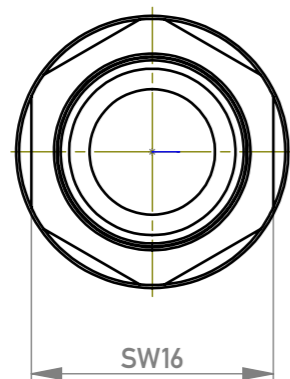


SCHNITT A:A; MAßTAB 5:1
SECTION A:A; SCALE 5:1



Material Messing / Brass
Oberfläche galv. Ni über Cu/
Plating Nickel over copper

Anziehdrehmoment $1,5 \pm 0,2 \text{ Nm}$
Tightening torque $1,5 \pm 0,2 \text{ Nm}$



Information: All rights reserved. Only for Information. To ensure that this is the latest version of this drawing, please contact one of the ERNI companies before using.	Tolerances All Dimensions in mm	Scale	5:1
		Designation	Ver.Mutter M12 90° Lock.Nut M12 90°
a Index	07.09.2017 Date	www.ERNI.com	225362 1 A3
		Class	MRDEZT

Copyright by ERNI Production GmbH & Co. KG
Proprietary notice pursuant to ISO 16016 to be observed.