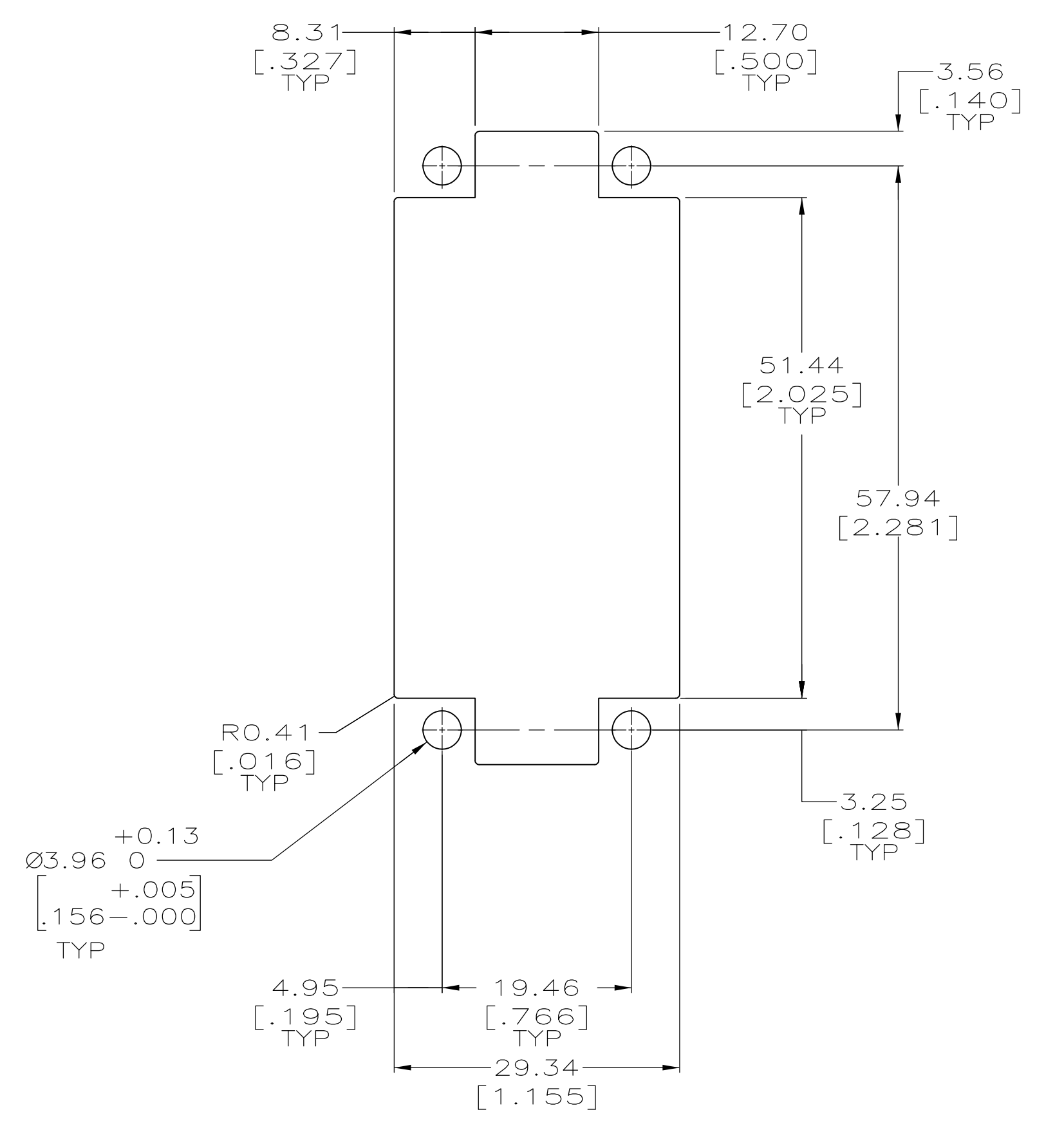
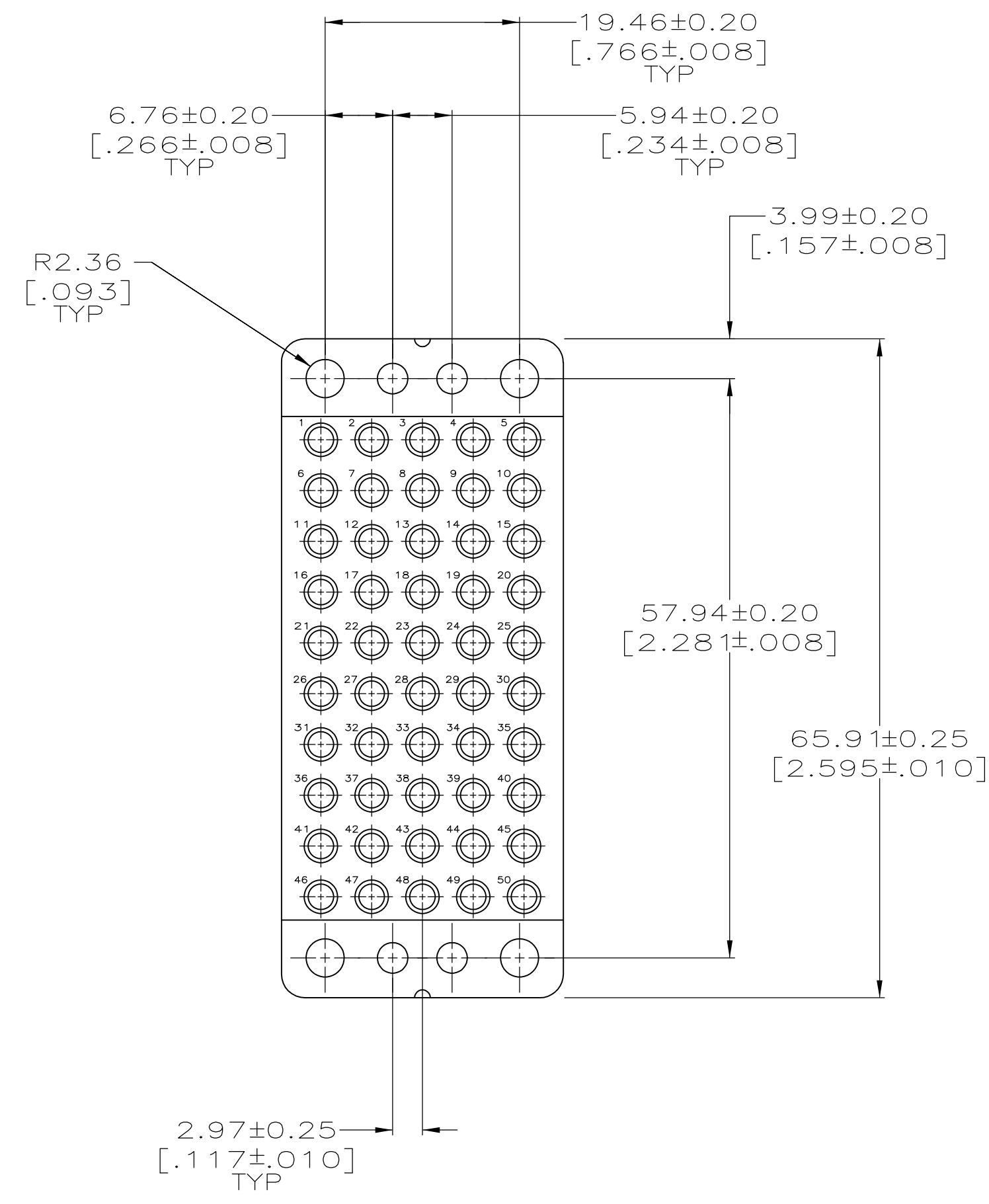
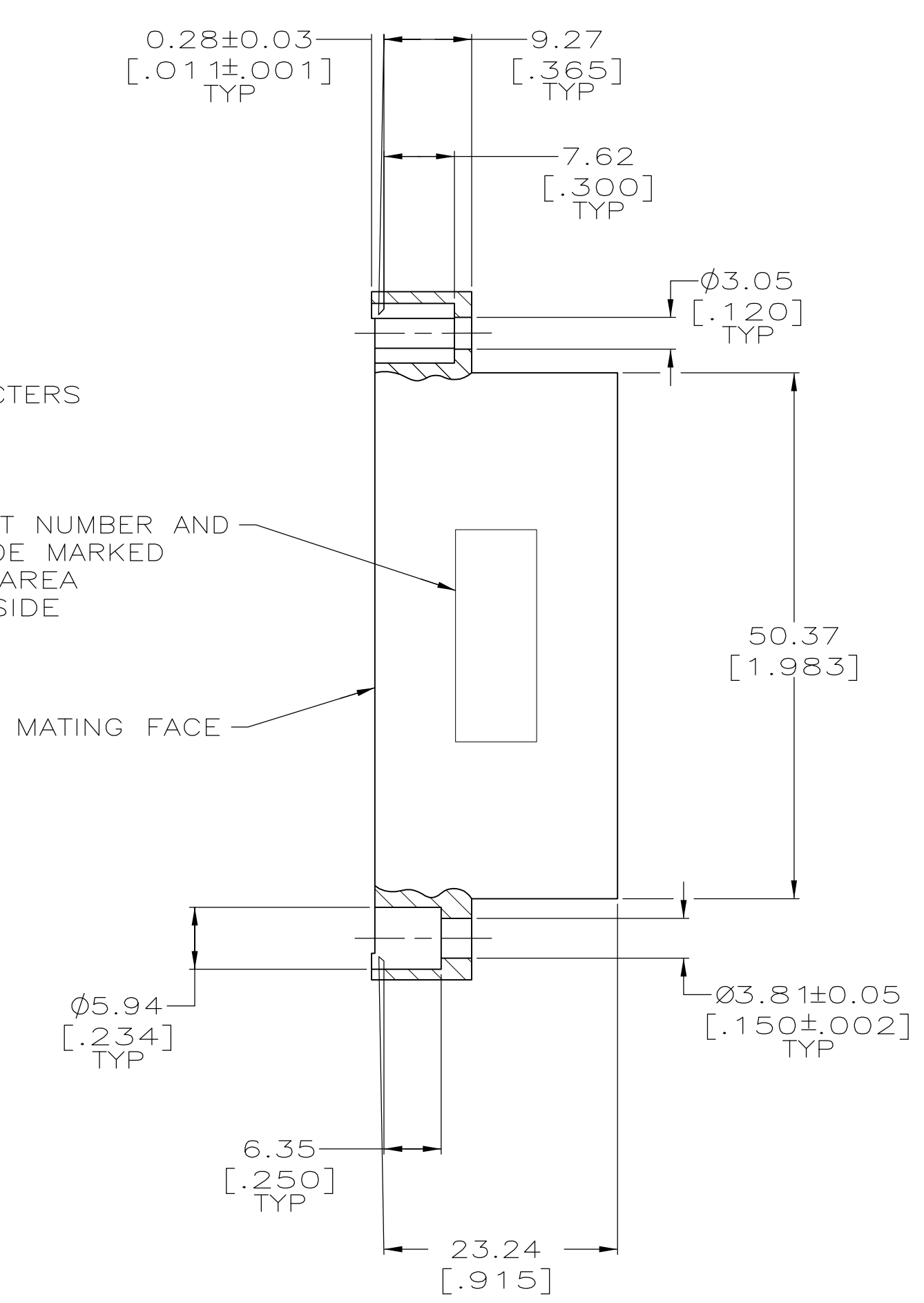
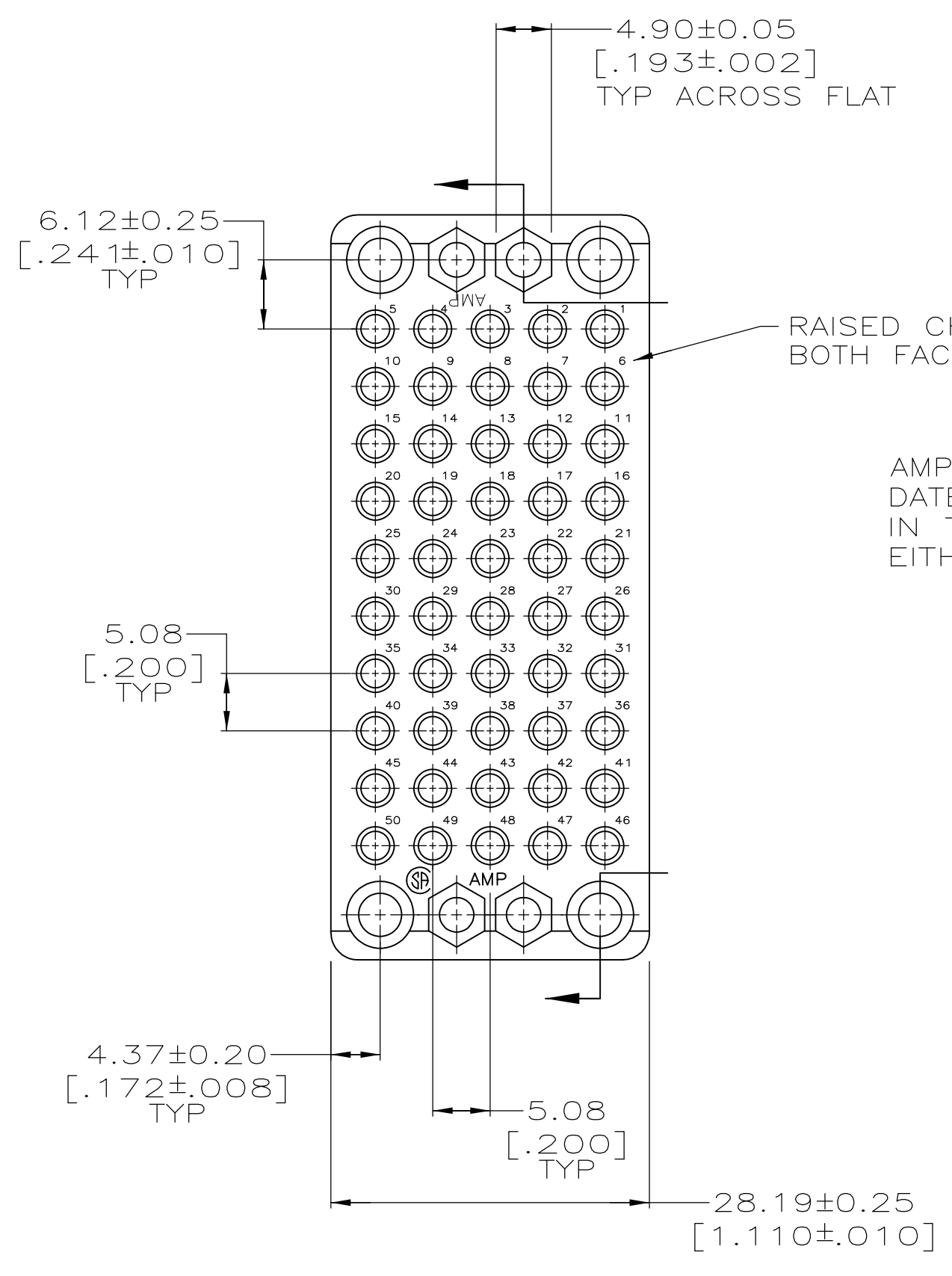


LOC		DIST		REVISIONS			
P	LTR	DESCRIPTION	DATE	DMN	APVD		
F		REVISED PER ECO-08-028426	14NOV08	HMR	GS		



RECOMMENDED PANEL CUTOUT

1 ACCOMODATES TYPE II OR III+ #16 PIN CONTACTS OR TYPE II OR III+ #16 SOCKETS.

205058-2
PART NUMBER

THIS DRAWING IS A CONTROLLED DOCUMENT.		DMN C. OBERMAN 15 OCT 97	Tyco Electronics Corporation Harrisburg, PA 17105-3608	
DIMENSIONS: mm [INCHES]		CHK R. STONE 23 OCT 97	NAME G. STEINHAUER 13 JAN 98	
TOLERANCES UNLESS OTHERWISE SPECIFIED:		PRODUCT SPEC		
0. PLC ± -		APPLICATION SPEC		
1. PLC ± -		SIZE A1		
2. PLC ± 0.13 [.005]		CAGE CODE 00779		
3. PLC ± -		DRAWING NO. 205058		
4. PLC ± -		WEIGHT -		
ANGLES ± -		RESTRICTED TO -		
MATERIAL PHENOLIC, BLACK PER MIL-M-14 TYPE C.F.C.		CUSTOMER DRAWING		
FINISH -		SCALE 2:1		
		SHEET 1 of 1		
		REV F		