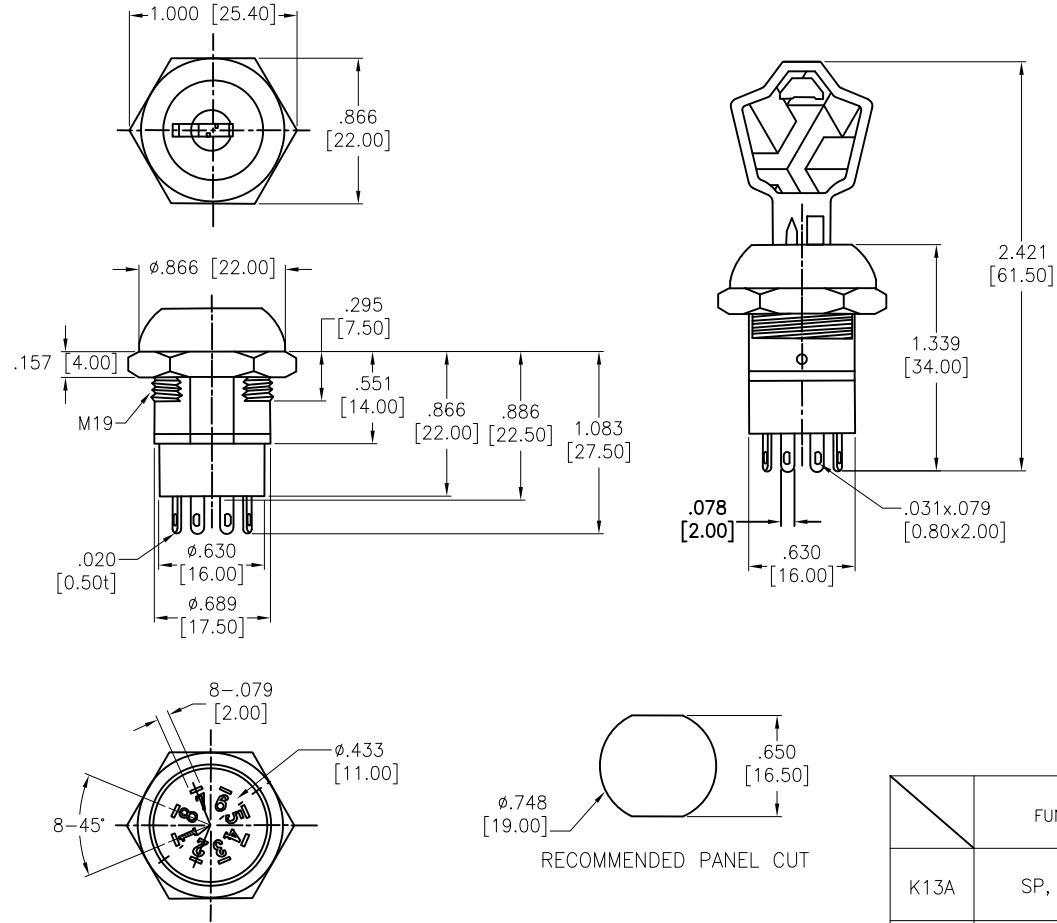


APPROVED: _____
 DATE: _____ TITLE: _____

Rev	AWO #	Description	Date	Appr
-		RELEASED	11/6/20	
A		UPDATE DRAWING.	5/11/21	JJ/RC
B		UPDATE SPEC.	5/18/21	JJ/RC
C		UPDATE SPEC.	5/27/22	WX/MC

ADAM TECH P/N	FUNCTION	LOCK CONFIGURATION
SW-R-K13A-A	SP, ON-ON	1 ● 2
SW-R-K13B-A	DP, ON-ON	1 ● 2
SW-R-K14B-B	SP, ON-ON	1 ● 2
SW-R-K14BA-B	DP, ON-ON	1 ● 2

● DETENT POSITION
 ◎ KEY PULL POSITION



	FUNCTION
K13A	SP, ON-ON
K13B	DP, ON-ON

	Function
A	Key pulled on both positions. Note: this would be our standard
B	Key pulled on 1 position

SPECIFICATIONS:
 Material:
 Body: Steel, Polished Chrome, Silver plated
 Electrical:
 The rated load: 125 VAC, 4A
 250 VAC, 2A
 28 VDC, 4A
 Contact resistance: 20 mΩ max
 Insulation resistance: 100 mΩ min (500VDC)
 Dielectric withstanding voltage: 1000 VAC for 1 minute
 Mechanical life: \geq 10000 Cycles
 Temperature Rating:
 -20°C to +85°C
 Environmental:
 Lead free, RoHS compliant



UNLESS OTHERWISE SPECIFIED ALL DIMENSIONS ARE INCHES [MM]. TOLERANCES: EXCEPT AS NOTED

INCHES		HOLES	
.x	\pm .10	ϕ x	\pm .10
.xx	\pm .020	ϕ xx	\pm .015
.xxx	\pm .015	ϕ xxx	\pm .010

ADAM TECH 909 Rahway Avenue,
 Union, NJ 07083
 Phone: 908-687-5000
 Fax: 908-687-5710

DRAWN	OW	11/6/20
CHECKED	AC	11/6/20
APPROVED		

TITLE SWITCH, KEY LOCK, 19MM
 PANEL MOUNT, SOLDER TERMINAL

THIS DRAWING CONTAINS INFORMATION THAT IS PROPRIETARY AND SHOULD NOT BE USED WITHOUT PRIOR WRITTEN PERMISSION FROM ADAM TECH

SIZE X	PART NO. SW-R-K13X-X	REV. C
REF: S00206C	SCALE: NTS	SHEET 1 OF 1