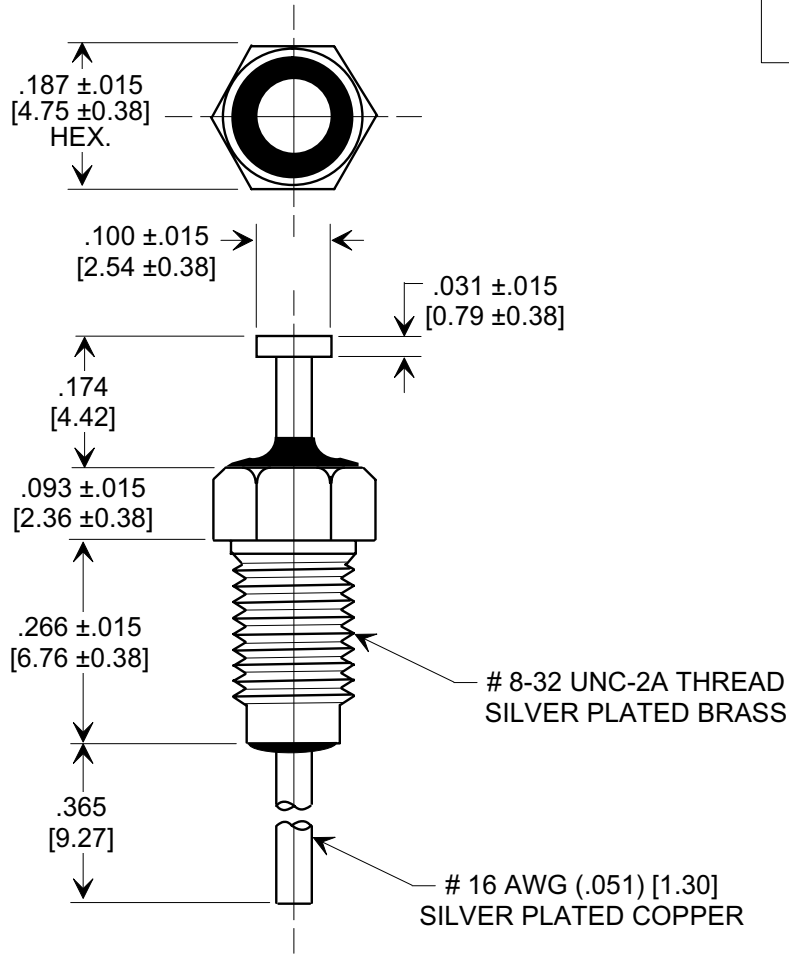
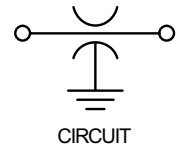
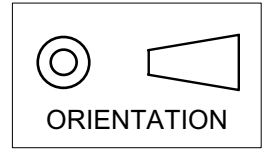


Electrical Testing
per Tusonix standard
test plans and Mil-Std-202
Test Methods.

MARKETING SALES DRAWING
DIMENSIONS IN INCHES - DO NOT SCALE THIS DRAWING
DIMENSIONS IN METRIC - []



NOTES:

- SUPPLIED WITH SILVER PLATED HEX NUT AND INTERNAL TOOTH LOCK WASHER.
- MOUNTING TORQUE NOT TO EXCEED 5 lb - in. MAX. [.565 N-m]
- TUSONIX STANDARD PART NUMBER: 2425-018-X7R0-102P. TUSONIX RoHS COMPLIANT PART NUMBER: 2425-018-X7R0-102P LF. CUSTOMER MUST SPECIFY STANDARD OR RoHS PART NUMBER WHEN ORDERING.
- PART MARKING: STANDARD: BLACK INK FOR TRADEMARK AND CAP. CODE. RoHS PART: GREEN FOR TRADEMARK AND CAP. CODE.

SPECIFICATIONS

Tusonix Style:	2425-018
Capacitance Value:	1000 pF
Capacitance Tolerance:	-0 % +100%
Temp. Characteristic:	X7R
Rating:	200 VDC @ + 85°C / 100 VDC @ +125°C
Current (A):	20
Operating Range:	-55°C TO +125°C
Insulation Resistance:	10,000 megohms (min.) @ +25°C
DWV @ 2 Sec. Min:	600 VDC

REVISION RECORD	0	Original Release C.O. 20040813-3-01 ADDED NOTES 3 & 4. S.M. 11-01-05
	1	20051031-1-08 CAPACITANCE TOLERANCE REVISED -0% +100% WAS ±20% L.E. 12-14-05
	2	20051214-1-01

--TOLERANCES-- Unless Otherwise Specified
DECIMAL ± .031 [0.79]
ANGLES ±
TUSONIX TUCSON, ARIZONA

MINIATURE BUSHING FEED-THRU	
Title	S.M. 08-13-04
Drawn	B.Mc. 08-13-04
Approved	A 2425-018-X7R0-102P