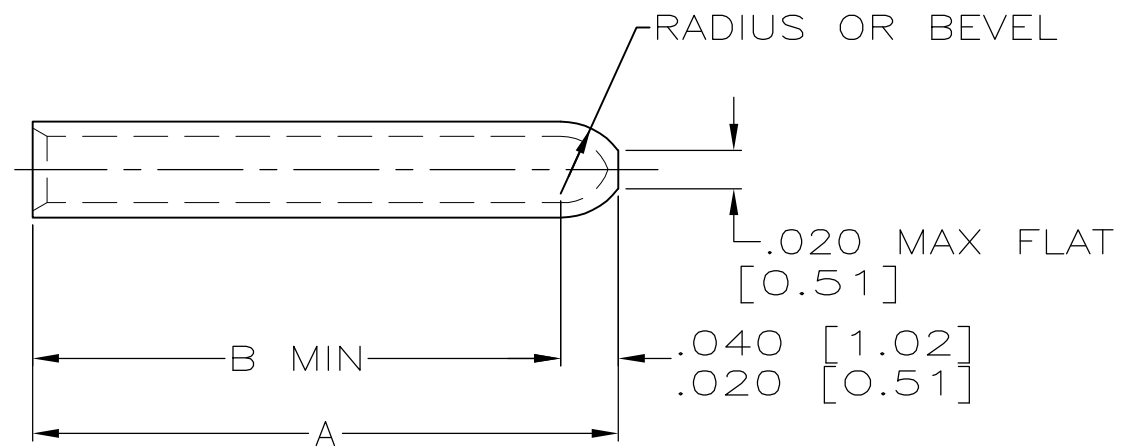
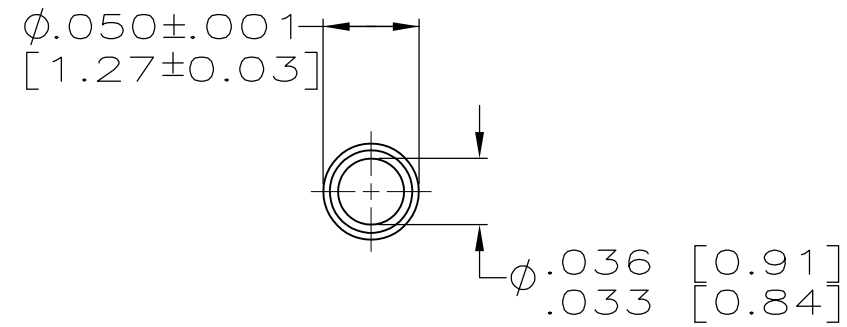


THIS DRAWING IS UNPUBLISHED. RELEASED FOR PUBLICATION  
 © COPYRIGHT - By - ALL RIGHTS RESERVED.

LOC		DIST		REVISIONS			
P	LTR	DESCRIPTION		DATE	DWN	APVD	
	D	REV PER ECO 12-007533		10-8-12	CT	DM	



M55302/31-02	BRASS	NICKEL	.225 [5.72]	.250 [6.35]	583254-4
M55302/31-01	BRASS	NICKEL	.240 [6.10]	.305 [7.75]	583254-3
MILITARY PART NUMBER	MATERIAL	FINISH	B	A	PART NUMBER

THIS DRAWING IS A CONTROLLED DOCUMENT.		DWN T. ALEXANDER 12-16-94	<b>STE</b> TE Connectivity		
DIMENSIONS: INCHES [mm]		CHK D. MILLER 12-22-94			
TOLERANCES UNLESS OTHERWISE SPECIFIED:		APVD B. FOLEY 12-22-94	NAME KEYING SLEEVE		
		PRODUCT SPEC -	APPLICATION SPEC -		
MATERIAL SEE TABLE		FINISH SEE TABLE	WEIGHT -	SIZE A3	CAGE CODE 00779
CUSTOMER DRAWING			DRAWING NO C-583254	RESTRICTED TO -	SCALE 10:1
			SHEET 1 OF 1	REV D	