



## Analog Gas Sensor(MQ3) SKU:SEN0128

---



### Contents

- [1 Introduction](#)
- [2 Specification](#)
- [3 Connecting Diagram](#)
- [4 Sample Code](#)
- [5 Version history](#)

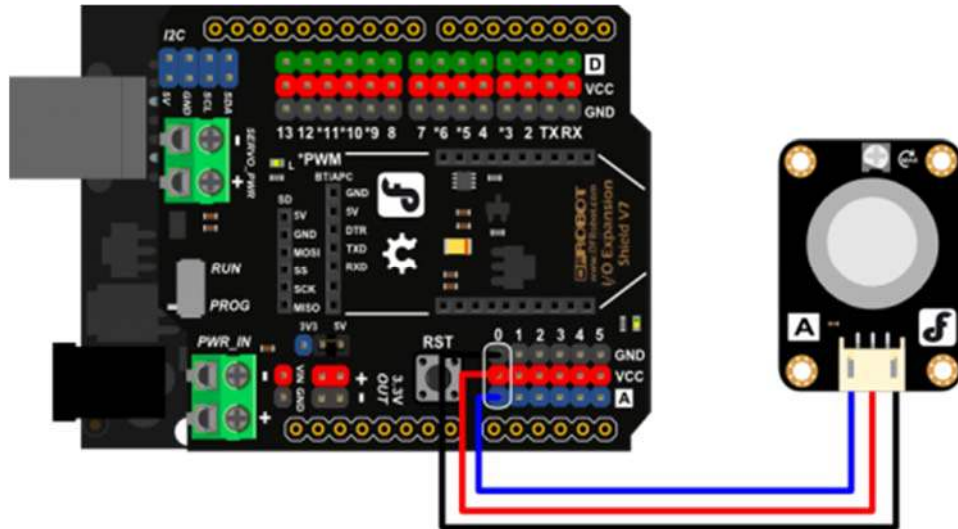
### Introduction

The analog gas sensor - MQ3 is suitable for detecting alcohol, this sensor can be used in a Breathalyser. It has a high sensitivity to alcohol and small sensitivity to Benzene. The sensitivity can be adjusted by the potentiometer.

### Specification

- Power supply needs: 5V
- Interface type: Analog
- High sensitivity to alcohol and small sensitivity to Benzene
- Fast response and High sensitivity
- Simple drive circuit
- Stable and long life
- Size:36.4x26.6mm

## Connecting Diagram



## Sample Code

```
///Arduino Sample Code
void setup()
{
  Serial.begin(9600); //Set serial baud rate to 9600 bps
}
void loop()
{
  int val;
  val=analogRead(0); //Read Gas value from analog 0
  Serial.println(val,DEC); //Print the value to serial port
  delay(100);
}
```