



- 10/100/1000 Base-T for Ethernet Applications
- Standard operating temp: 0°C to +70°C
- Transmit open circuit inductance (OCL): 350uH (MIN) @ 100KHz, 0.1Vrms with 8mA DC Bias
- RJ45 jack cavity conforms to FCC rules and regulations Part 68, SUB Part F



Electrical Specifications @ 25°C

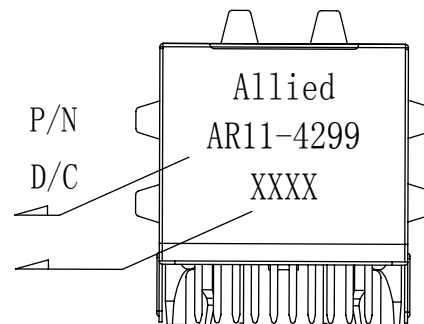
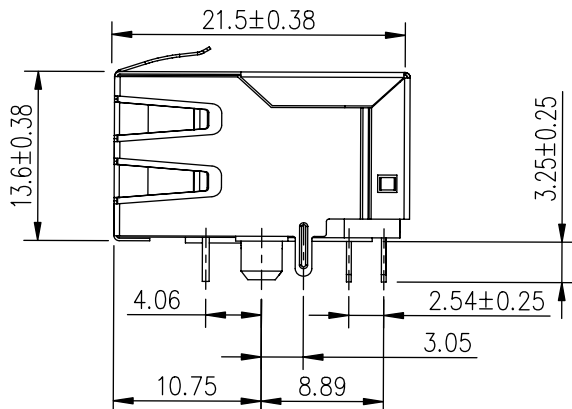
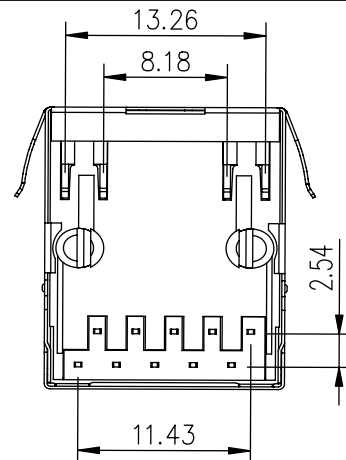
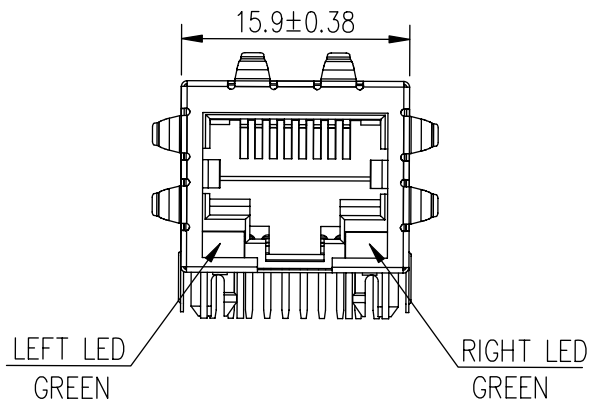
| Part Number | OCL(uH Min) @ 100kHz, 0.1V With 8mA DC Bias | Turns Ratio @100kHz, 0.1V |              |              |              | Cross Talk (dB Min) 0.5-10MHz | HI-POT 1.0mA, 60S (V) Input to Output |
|-------------|---|---------------------------|--------------|--------------|--------------|-------------------------------|---------------------------------------|
|             |   | P2-P3: J1-J2              | P4-P7: J3-J6 | P5-P6: J4-J5 | P8-P9: J7-J8 |                               |                                       |
| AR11-4299   | 350   | 1:1±5%                    | 1:1±5%       | 1:1±5%       | 1:1±5%       | -50                           | 1500                                  |

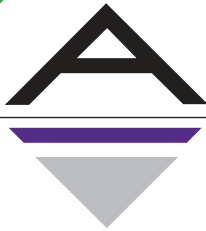
Electrical Specifications @ 25°C

| Insertion Loss (dB Max) |                          | Return Loss (dB Min) @ Load 100 Ohm |          |          |           | CMR (dB Min) |
|-------------------------|--------------------------|-------------------------------------|----------|----------|-----------|--------------|
| 1-100 MHz               | 100-125 MHz (10/100/100) | 1-30MHz                             | 30-60MHz | 60-80MHz | 80-100MHz | 1-100 MHz    |
| -1.0                    | -1.2                     | -18                                 | -16      | -12      | -10       | -30          |

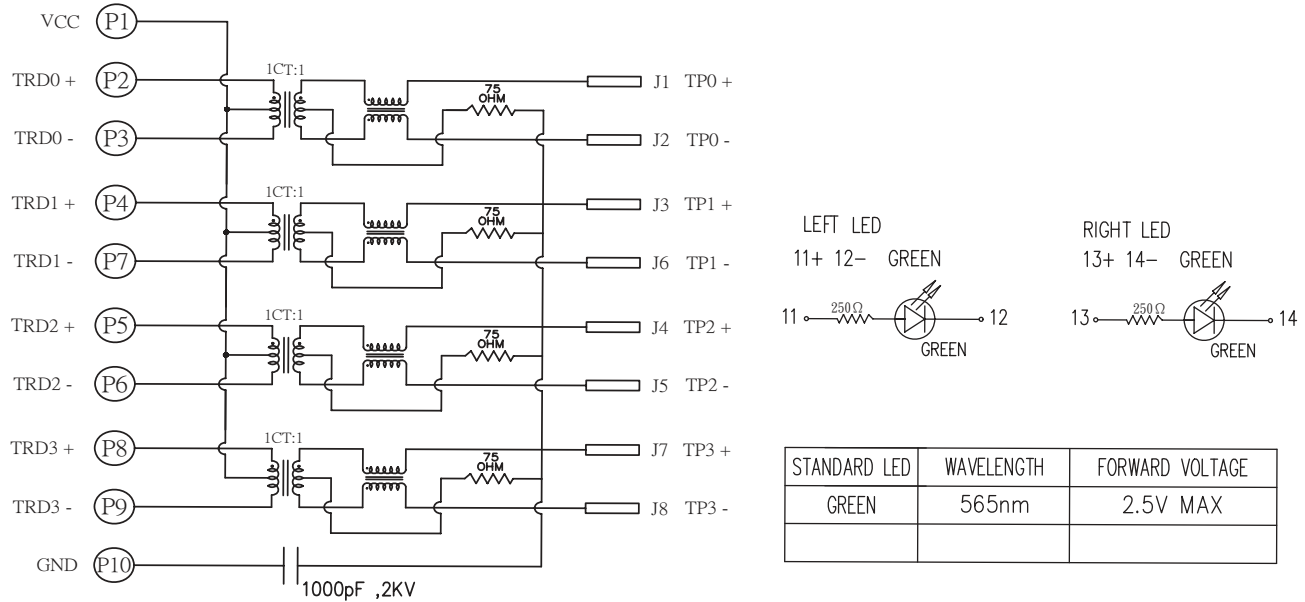
All specifications subject to change without notice.

MECHANICAL

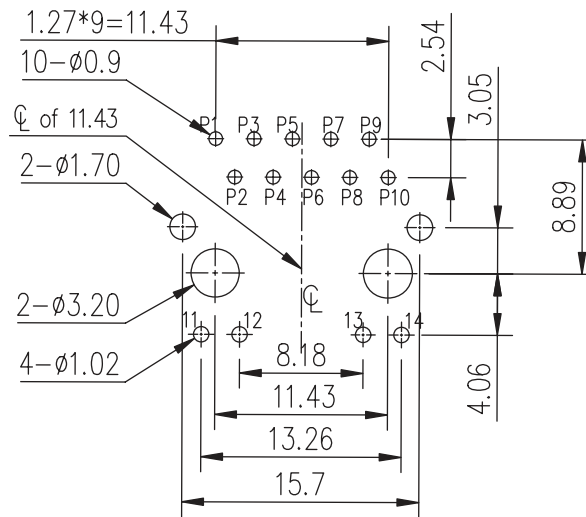




SCHEMATICS



PCB LAYOUT



NOTES

- 1.Shielded - 0.20mm THICKNESS BRASS C2680 H. PLATING NICKEL 20u"MIN.
- 2.Housing- Standard Material PA66,Glass Filled Polyester UL94V-0 Standed Color Black.
- 3.Insert Pin- Plastic:PA66 UL94V-0,Standard Color Black. Pin:0.35mm Thickness Phos-Bronze C5210 EH. Plating:Nickel 30u"~60u" for all and Sn 100%, and Gold Plating 6u".
- 4.Contact Pin- Plastic:PA66 ,Glass Filled,UL94V-0, Standard Color Black. Pin:0.35mm Thickness SUS430. Plating:Nickel 30u"~60u" for all and Sn 100%.