

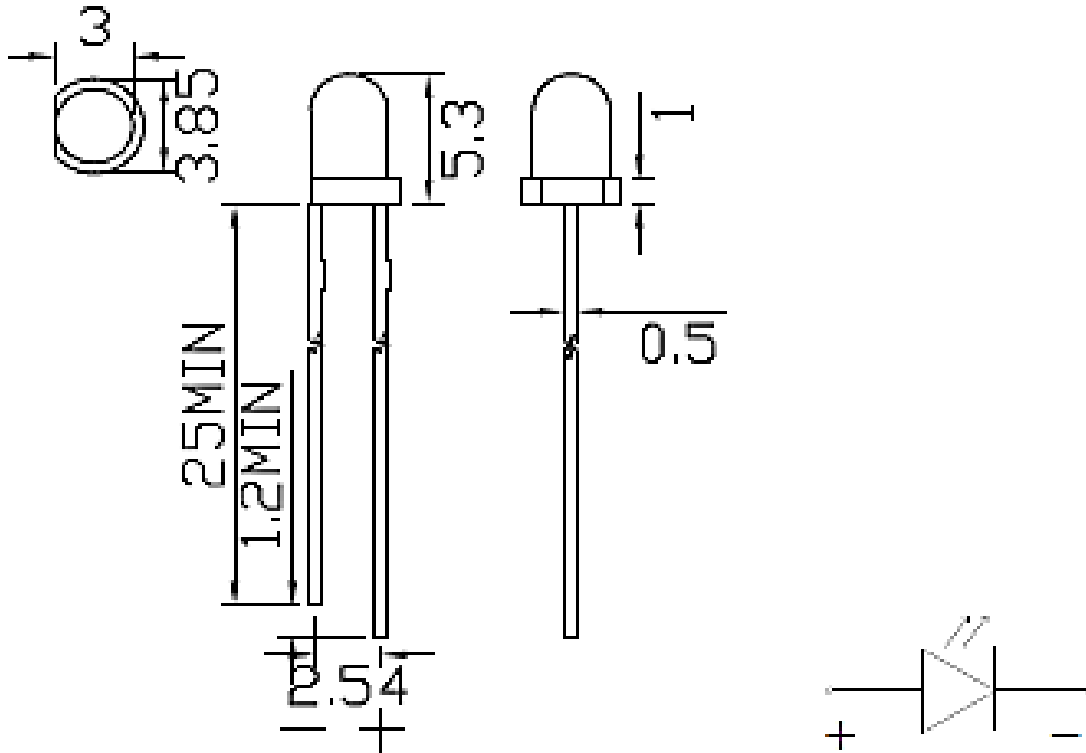


American Opto Plus LED Corp.

L314KED

3mm Red LED Lamp

PACKAGE OUTLINES



ITEM	MATERIALS
Dice	AllnGaP
Lens Color	Red Diffused
Emitted Color	Red

Notes:

1. All dimensions are in millimeters (inches)
2. Tolerances are  $\pm 0.15$ mm unless otherwise noted.



# American Opto Plus LED Corp.

## L314KED

### 3mm Red LED Lamp

#### ABSOLUTE MAXIMUM RATINGS

(Ta = 25°C)

Parameter	Symbol	Value	Unit
Power Dissipation	P <sub>D</sub>	60	mW
Forward Current	I <sub>F</sub>	30	mA
Peak Forward Current (1/10 duty, cycle: 0.1ms Pulse Width)	I <sub>PF</sub>	60	mA
Reverse Voltage	V <sub>R</sub>	5	V
Operating Temperature Range	T <sub>OPR</sub>	-25 ~ +85	°C
Storage Humidity	T <sub>SH</sub>	45% ~ 85%	°F
Storage Temperature Range	T <sub>STG</sub>	-30 ~ +85	°C
Soldering Temperature	T <sub>SOL</sub>	260°C for 5 seconds	

#### OPTICAL-ELECTRICAL CHARACTERISTICS

(Ta = 25°C)

Parameter	Symbol	Test Condition	Value			Unit
			Min	Typ	Max	
Luminous Intensity	I <sub>V</sub>	I <sub>F</sub> =20mA	100	--	200	mcd
Forward Voltage	V <sub>F</sub>	I <sub>F</sub> =20mA	1.8	--	2.4	V
Suggested Forward Current	I <sub>F</sub>	I <sub>F</sub> =20mA	3	5~10	20	mA
Reverse current	I <sub>R</sub>	V <sub>R</sub> =5V	--	--	10	μA
Dominant Wavelength	λ <sub>D</sub>	I <sub>F</sub> =20mA	630	635	640	nm
Viewing Angle	2θ <sub>1/2</sub>	I <sub>F</sub> =20mA	--	40	--	deg

When using LEDs in circuits, it is recommended to limit the forward current to 5~10 mA, ≤20 mA.



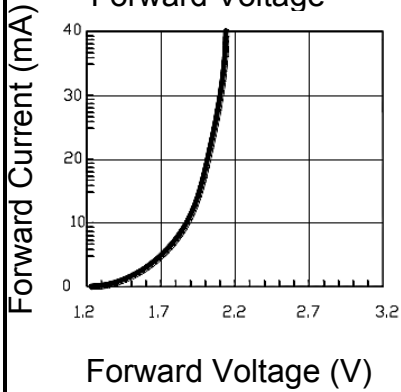
# American Opto Plus LED Corp.

## L314KED

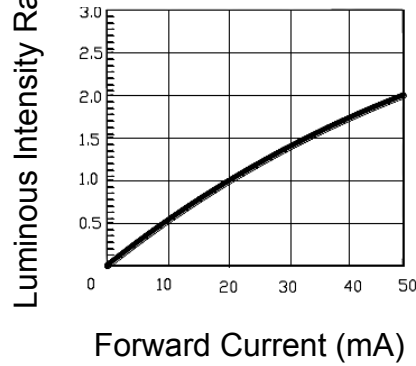
3mm Red LED Lamp

### OPTICAL CHARACTERISTIC CURVES

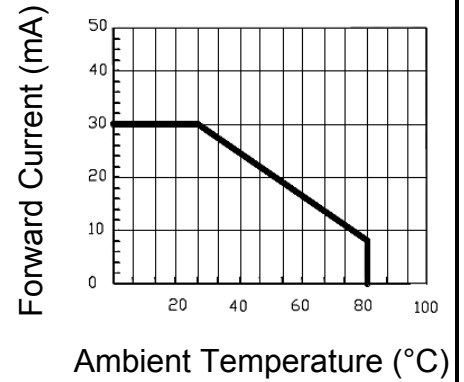
Forward Current vs. Forward Voltage



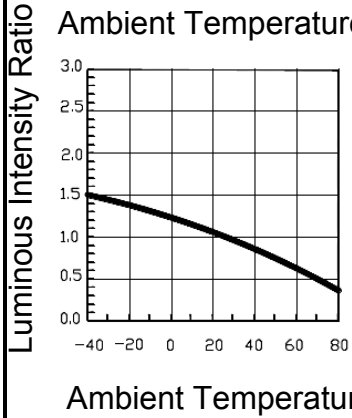
Forward Current vs. Relative Luminous Intensity



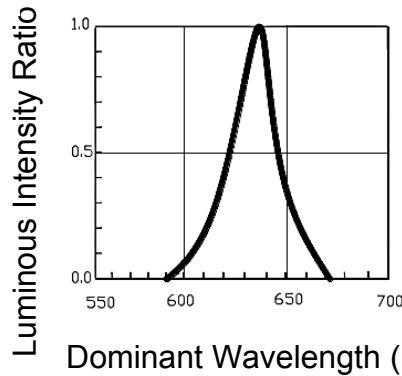
Forward Current vs. Ambient Temperature



Relative Luminous Intensity vs. Ambient Temperature



Relative Luminous Intensity vs. Main Wavelength



Radiation Diagram

