

VS-PPC/ME-IP20-93R-LI/5,0 - Network cable



1416246

<https://www.phoenixcontact.com/us/products/1416246>

Please be informed that the data shown in this PDF document is generated from our online catalog. Please find the complete data in the user documentation. Our general terms of use for downloads are valid.



Assembled PROFINET cable, CAT5e, shielded, star quad, AWG 22 stranded (19-wire), RAL 6018 (yellow green), RJ45 male connector/IP67 push-pull metal housing on RJ45 male connector/IP20, line, length: 5 m

Commercial data

Item number	1416246
Packing unit	1 pc
Minimum order quantity	1 pc
Sales key	AB11
Product key	ABNABA
Catalog page	Page 310 (PC-2011)
GTIN	4046356473392
Weight per piece (including packing)	380.7 g
Weight per piece (excluding packing)	380.7 g
Customs tariff number	85444210
Country of origin	PL

1416246

<https://www.phoenixcontact.com/us/products/1416246>

Technical data

Product properties

Product type	Data cable preassembled
Sensor type	PROFINET
Number of positions	4
No. of cable outlets	1
Shielded	yes
Cable outlet	straight

Electrical properties

Transmission medium	Copper
Transmission characteristics (category)	CAT5 (IEC 11801:2002)
Transmission speed	100 Mbps
Wave impedance	100 Ω

Mechanical properties

Mechanical data

Insertion/withdrawal cycles	≥ 250
-----------------------------	-------

Material specifications

Outer sheath, material	PUR
Conductor material	Tin-plated Cu litz wires

Connector

Connection 1

Type	Plug straight RJ45
Material	Metal
Degree of protection	IP67
Number of positions	4
Locking type	Push Pull

Connection 2

Type	Plug straight RJ45
Material	Plastic
Number of positions	4
Degree of protection	IP20

Cable/line

Cable length	5.00 m
--------------	--------


PROFINET robot CAT5 [93R]

VS-PPC/ME-IP20-93R-LI/5,0 - Network cable



1416246

<https://www.phoenixcontact.com/us/products/1416246>

Dimensional drawing	
Shielded	yes
UL AWM Style	20233 (80°C/300 V)
Cable weight	55 kg/km
Cable type	PROFINET robot CAT5
Short symbol	02YSC11Y
Cable type (abbreviation)	93R
Signal type/category	PROFINET CAT5 (IEC 11801), 100 Mbps EtherCAT [®] CAT5 (IEC 11801), 100 Mbps
Cable structure	1x4xAWG22/19, S/TQ
External cable diameter	6.5 mm ±0.2 mm
Outer sheath, material	PUR
External sheath, color	green RAL 6018
Thickness, outer sheath	approx. 1 mm
Conductor material	Tin-plated Cu litz wires
Conductor structure signal line	19x 0.15 mm
AWG signal line	22
Conductor cross section	4x 0.34 mm ²
Material wire insulation	Foamed PE
Wire diameter incl. insulation	1.5 mm
Single wire, color	white, yellow, blue, orange
Overall twist	Star quad
Shielding	Tinned copper braided shield
Optical shield covering	85 %
Nominal voltage, cable	300 V
Test voltage Core/Core	2000 V (50 Hz, 1 min.)
Test voltage Core/Shield	2000 V (50 Hz, 1 min.)
Cable insulation resistance	≥ 500 MΩ*km
Wave impedance	100 Ω ±5 Ω (at 100 MHz)
Loop resistance	≤ 120.00 Ω/km
Signal runtime	4.8 ns/m
Minimum bending radius, fixed installation	5 x D
Torsion force	± 180 °/m
Torsion cycles	1000000
Damping	2.9 dB (with 1 MHz) 5 dB (at 4 MHz) 8.1 dB (at 10 MHz)

VS-PPC/ME-IP20-93R-LI/5,0 - Network cable



1416246

<https://www.phoenixcontact.com/us/products/1416246>

	10.4 dB (at 16 MHz)
	11.9 dB (at 20 MHz)
	15.5 dB (at 31.25 MHz)
	26.5 dB (at 62.5 MHz)
	41 dB (at 100 MHz)
Halogen-free	according to IEC 60754-1
Resistance to oil	in accordance with DIN EN 60811-2-1
Flame resistance	according to IEC 60332-1-2
Other resistance	UV resistant According to UL 1581, Section 1200
Ambient temperature (operation)	-40 °C ... 80 °C
	-40 °C ... 80 °C

VS-PPC/ME-IP20-93R-LI/5,0 - Network cable

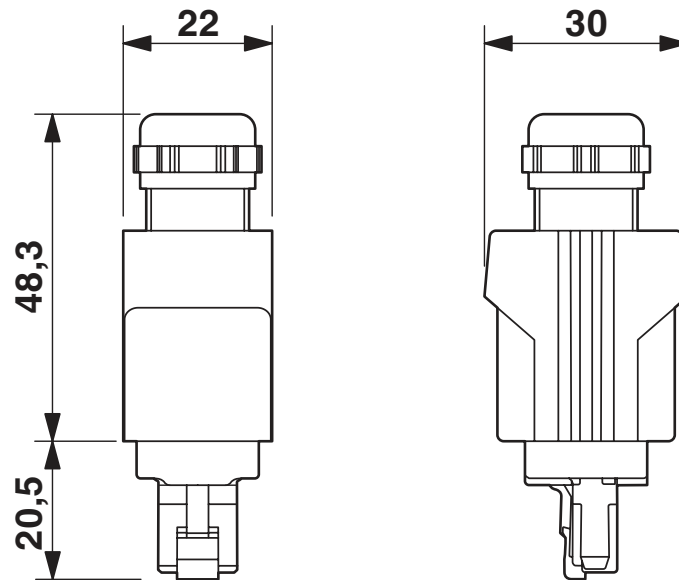


1416246

<https://www.phoenixcontact.com/us/products/1416246>

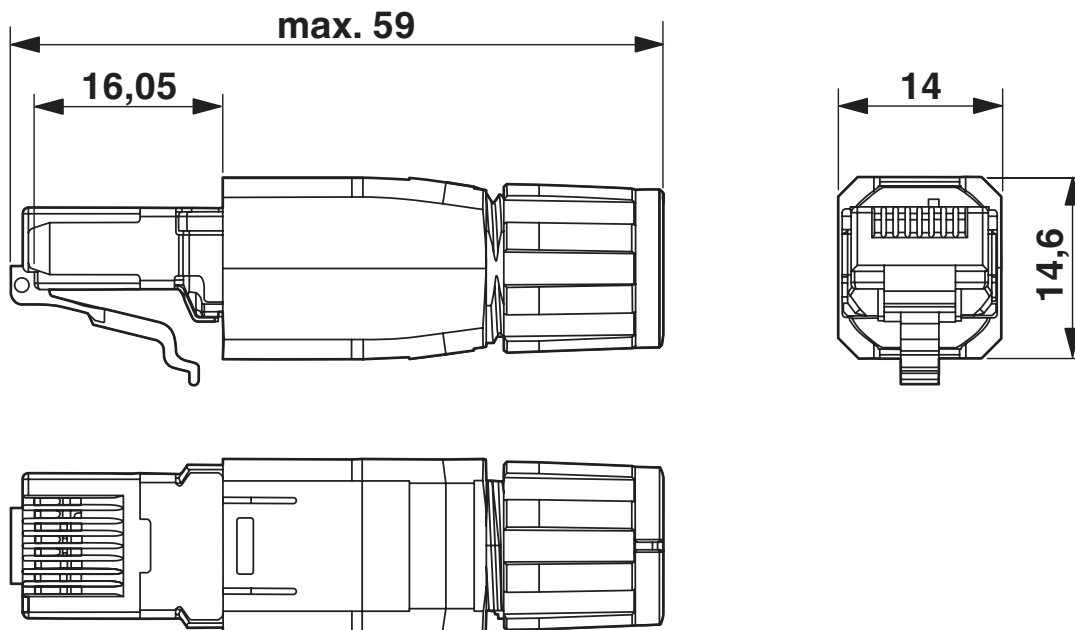
Drawings

Dimensional drawing



Push-pull RJ45 connector IP65/67

Dimensional drawing



RJ45 connector, IP20

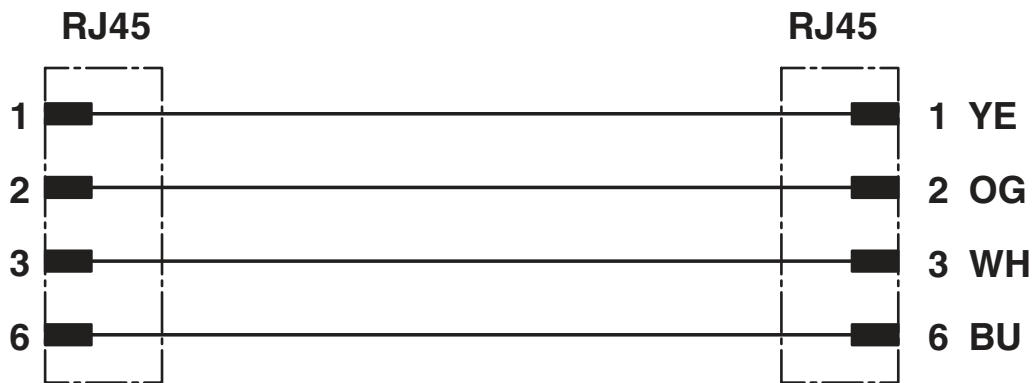
VS-PPC/ME-IP20-93R-LI/5,0 - Network cable

1416246

<https://www.phoenixcontact.com/us/products/1416246>



Circuit diagram



VS-PPC/ME-IP20-93R-LI/5,0 - Network cable



1416246

<https://www.phoenixcontact.com/us/products/1416246>

Approvals

To download certificates, visit the product detail page: <https://www.phoenixcontact.com/us/products/1416246>



EAC

Approval ID: 19060508

VS-PPC/ME-IP20-93R-LI/5,0 - Network cable



1416246

<https://www.phoenixcontact.com/us/products/1416246>

Classifications

ECLASS

ECLASS-11.0	27060308
ECLASS-12.0	27060308
ECLASS-13.0	27060308

ETIM

ETIM 8.0	EC002599
----------	----------

UNSPSC

UNSPSC 21.0	26121600
-------------	----------

VS-PPC/ME-IP20-93R-LI/5,0 - Network cable



1416246

<https://www.phoenixcontact.com/us/products/1416246>

Environmental product compliance

China RoHS	Environmentally friendly use period: unlimited = EFUP-e
	No hazardous substances above threshold values

Phoenix Contact 2023 © - all rights reserved
<https://www.phoenixcontact.com>

Phoenix Contact USA
586 Fulling Mill Road
Middletown, PA 17057, United States
(+717) 944-1300
info@phoenixcon.com