

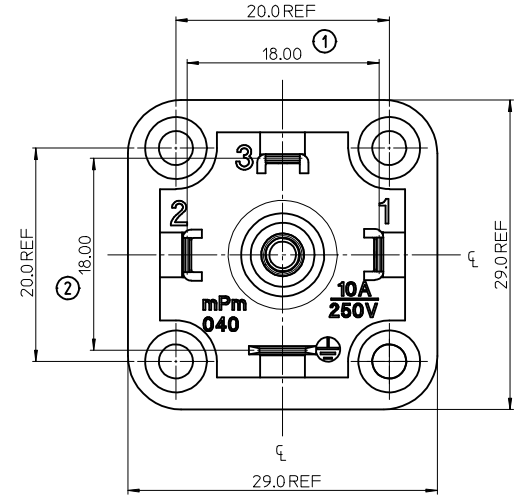
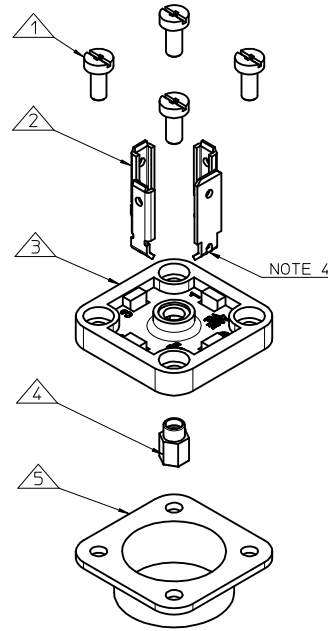
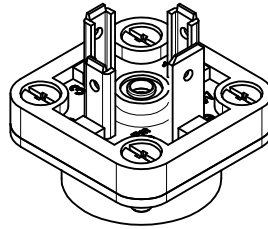
B043000N2XX

SERIES _____
 B04= FORM A
 POLES _____
 2= 2 POLE & 3= 3 POLE
 CURVED BASE DIAMETER _____
 000= FLAT
 MATERIAL AND HOUSING COLOUR _____
 N= BLACK PA6 W= BLACK V0 PA6

SCREW AND GASKET _____
 2= NBR GASKET & SCREWS
 3= SILICONE GASKET & SCREWS
 ADDITIONAL NOTES _____
 SA= UL APPROVED

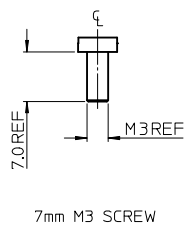
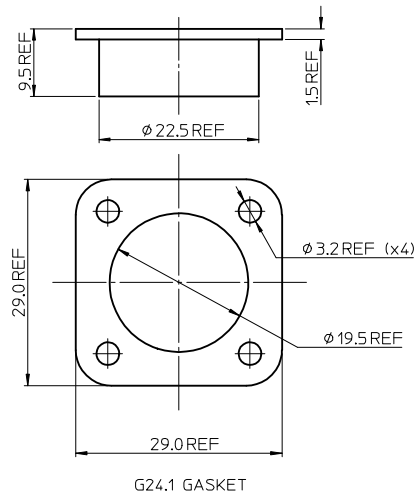
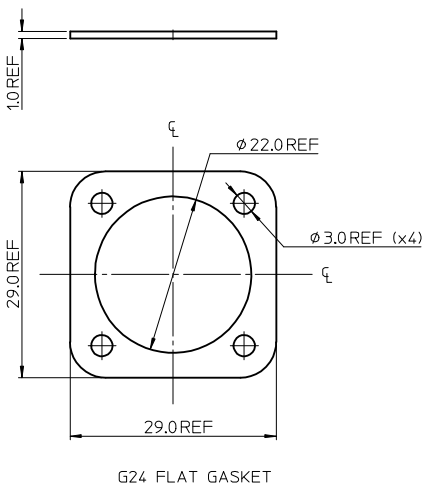
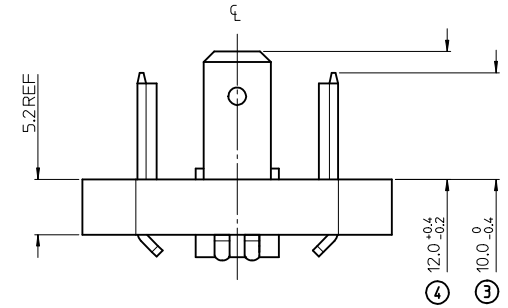
- NOTES
- PLEASE SEE TABLE FOR CURRENTLY CONFIGURED PART NUMBERS. FOR SPECIFIC PART NUMBERS PLEASE CONTACT SALES OR CONSULT THE INTELLIGENT PART NUMBERS IN THE TABLE ATTACHED.
 - FOR PACKAGING SEE PACKAGING SPEC PK-121013-B04
 - PRODUCT SPEC: SEE PS-12101-001
 - TERMINALS BENT AFTER INSERTION. FOR BEND ANGLE SEE TABLE

LAST INSPECTION NUMBER 4



PART NO.	mPm NO.	DESCRIPTION	TERMINAL BEND ANGLE
1210120001	B042000N2	TYPE A 2P+T BLACK, NBR G24.1 GASKET AND SCREWS	45°
1210120002	B042000W2	TYPE A 2P+T BLACK V0, NBR G24.1 GASKET AND SCREWS	45°
1210120003	B043000N2	TYPE A 3P+T BLACK, NBR FLAT G24 GASKET AND SCREWS	45°
1210120004	B043000W3	TYPE A 3P+T BLACK V0, SILICONE G24.1 GASKET AND SCREWS	45°
1210120188	B043000W2SA	TYPE A 3P+T BLACK V0, NBR FLAT G24 GASKET AND SCREWS	45°

ITEM	DESCRIPTION
1	SCREWS
2	TERMINALS
3	HOUSING
4	INSERT
5	GASKET



ADD P/N EC NO: IFC2015-1229 DRAWN: POWMER 2015/01/08 CHKD: APPR: STGRIFFIN 2015/01/28	QUALITY SYMBOLS ▽=0 ▽=0	GENERAL TOLERANCES (UNLESS SPECIFIED)		DIMENSION STYLE MM ONLY	SCALE 2:1	DESIGN UNITS METRIC	THIRD ANGLE PROJECTION
		4 PLACES ± --- ± ---	3 PLACES ± --- ± ---	2 PLACES ± 0.10 ± ---	1 PLACE ± 0.20 ± ---	ANGULAR ± 2 °	DRAWN BY DSHEA 2013/01/29
C	DESCRIPTION	DRAFT WHERE APPLICABLE MUST REMAIN WITHIN DIMENSIONS		APPROVED BY STGRIFFIN 2013/02/11	DATE 2013/02/11	MATERIAL NO. _____	
		SEE TABLE		DOCUMENT NO. SD-121012-010		SHEET NO. 1 OF 1	