

LIS2DUXS12 adapter kit for standard DIL24 socket with QVAR functionalities



Features

- User friendly LIS2DUXS12 board
- Complete LIS2DUXS12 pinout for a standard DIL 24 socket
- Fully compatible with the STEVAL-MKI109V3 motherboard
- RoHS compliant

Description

The STEVAL-MKI235KA evaluation kit is based on the LIS2DUXS12 inertial module with a Qvar electrostatic sensor and three different electrodes (swipe finger and generic) to make it compatible with the STEVAL-MKI109V3.

The kit provides the complete LIS2DUXS12 pinout and comes ready-to-use with the required decoupling capacitors on the VDD power supply line.

The STEVAL-MKE00xAA can be plugged into the STEVAL-MKI235A board.

This adapter is supported by the STEVAL-MKI109V3 mother board, which includes a high performance 32-bit microcontroller functioning as a bridge between the sensor and a PC, on which it is possible to use the downloadable graphical user interface (Unico-GUI), or dedicated software routines for customized applications.

It is also possible to plug the board into an X-NUCLEO-IKS01A3 expansion board.

Product summary	
LIS2DUXS12 adapter kit for standard DIL24 socket with QVAR functionalities	STEVAL-MKI235KA
Ultralow-power accelerometer with Qvar, AI, & anti-aliasing	LIS2DUXS12
MEMS adapter motherboard based on the STM32F401VE	STEVAL-MKI109V3
Motion MEMS and microphone MEMS expansion board for STM32 Nucleo	X-NUCLEO-IKS01A3
Applications	Smart Glasses (AR)

1 Schematic diagrams

Figure 1. STEVAL-MKE001A circuit schematic

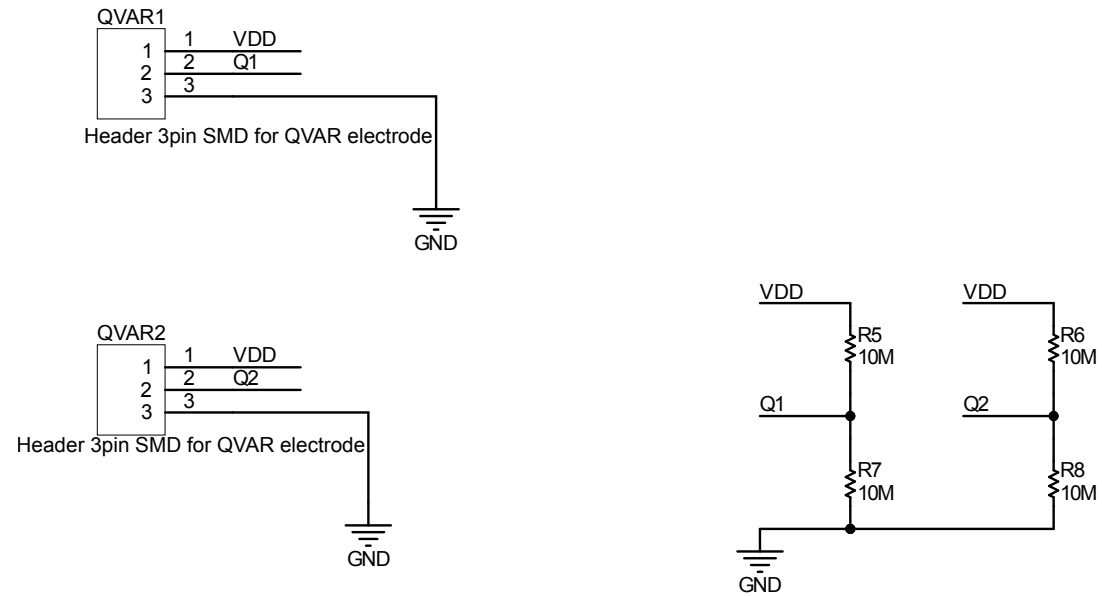


Figure 2. STEVAL-MKE002A circuit schematic

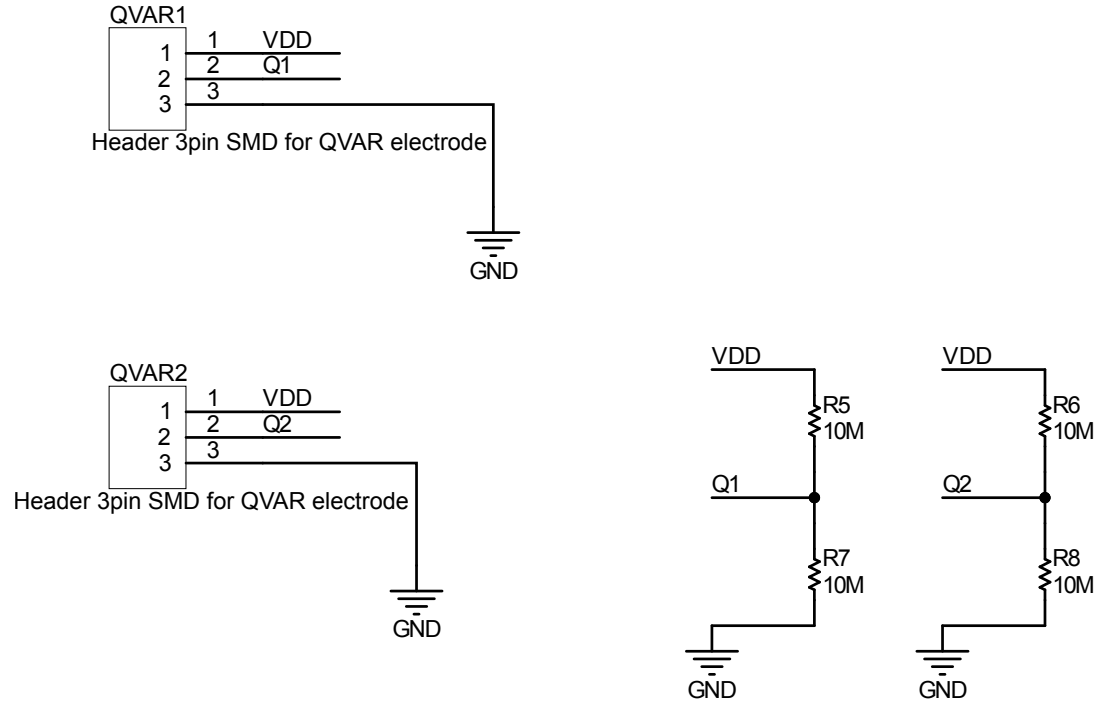


Figure 3. STEVAL-MKE003A circuit schematic

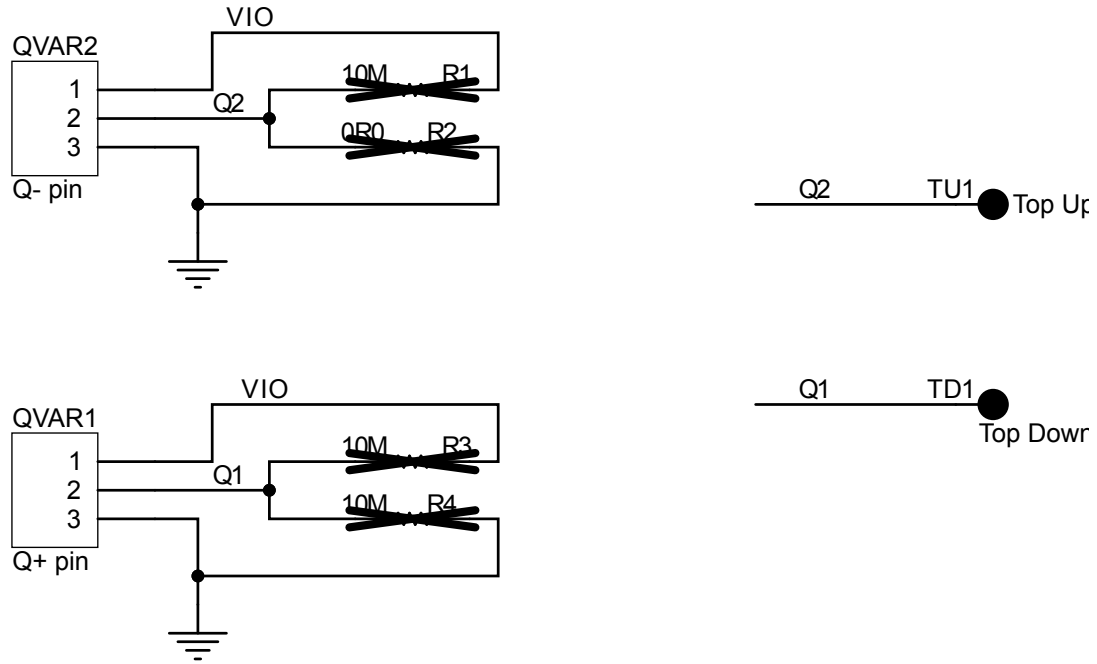
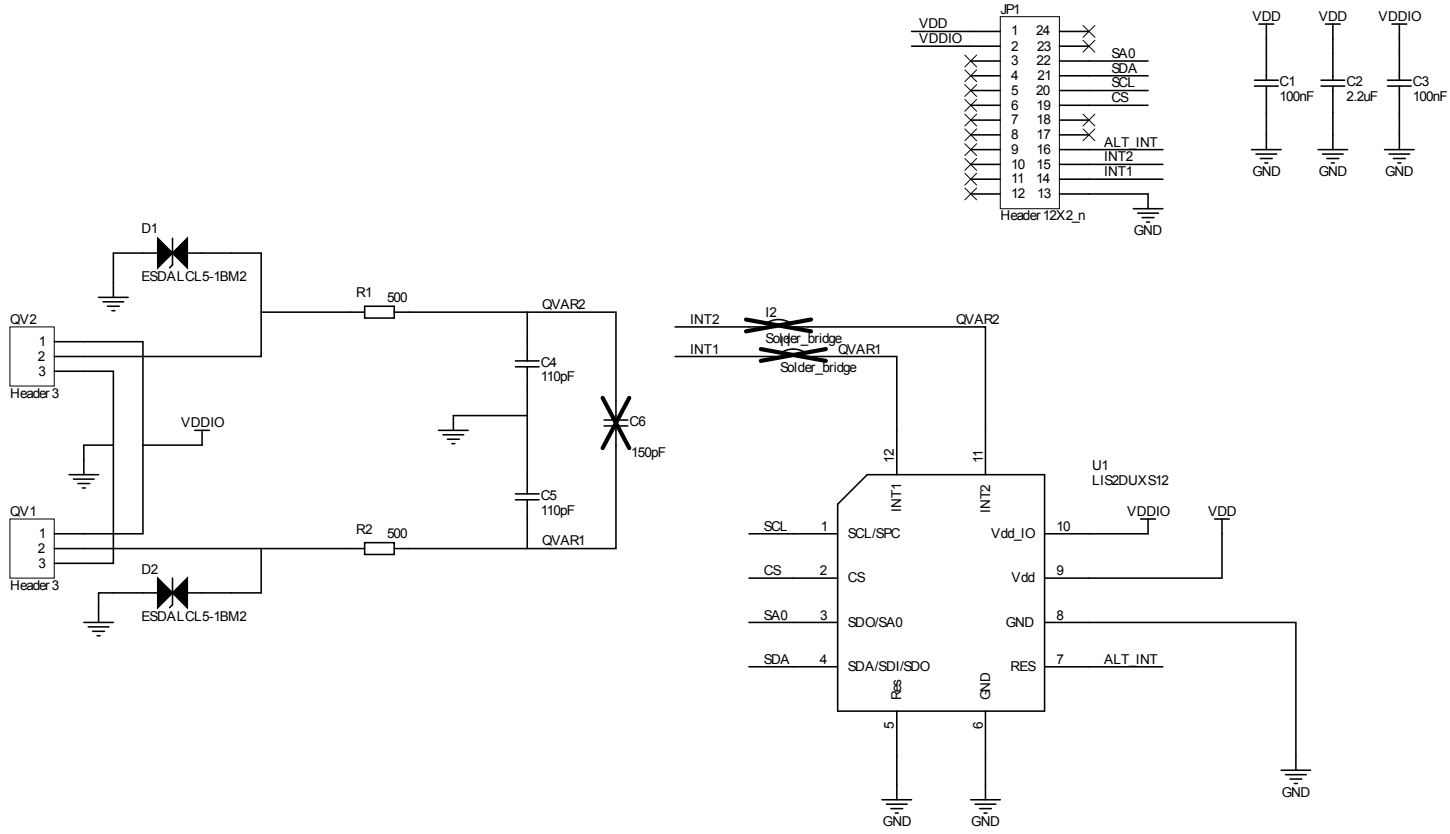


Figure 4. STEVAL-MKI235A circuit schematic



2 Kit versions

Table 1. STEVAL-MKI235KA versions

PCB version	Schematic diagrams	Bill of materials
STEVAL\$MKI235KAA ⁽¹⁾	STEVAL\$MKI235KAA schematic diagrams	STEVAL\$MKI235KAA bill of materials

1. This code identifies the STEVAL-MKI235KA evaluation kit first version. The kit consists of a STEVAL-MKI235A whose version is identified by the code STEVAL\$MKI235AA, a STEVAL-MKE001A whose version is identified by the code STEVAL\$MKE001AA, a STEVAL-MKE002A whose version is identified by the code STEVAL\$MKE002AA and a STEVAL-MKE003A whose version is identified by the code STEVAL\$MKE003AA.

Revision history

Table 2. Document revision history

Date	Revision	Changes
17-Jan-2023	1	Initial release.

IMPORTANT NOTICE – READ CAREFULLY

STMicroelectronics NV and its subsidiaries (“ST”) reserve the right to make changes, corrections, enhancements, modifications, and improvements to ST products and/or to this document at any time without notice. Purchasers should obtain the latest relevant information on ST products before placing orders. ST products are sold pursuant to ST’s terms and conditions of sale in place at the time of order acknowledgment.

Purchasers are solely responsible for the choice, selection, and use of ST products and ST assumes no liability for application assistance or the design of purchasers’ products.

No license, express or implied, to any intellectual property right is granted by ST herein.

Resale of ST products with provisions different from the information set forth herein shall void any warranty granted by ST for such product.

ST and the ST logo are trademarks of ST. For additional information about ST trademarks, refer to www.st.com/trademarks. All other product or service names are the property of their respective owners.

Information in this document supersedes and replaces information previously supplied in any prior versions of this document.

© 2023 STMicroelectronics – All rights reserved