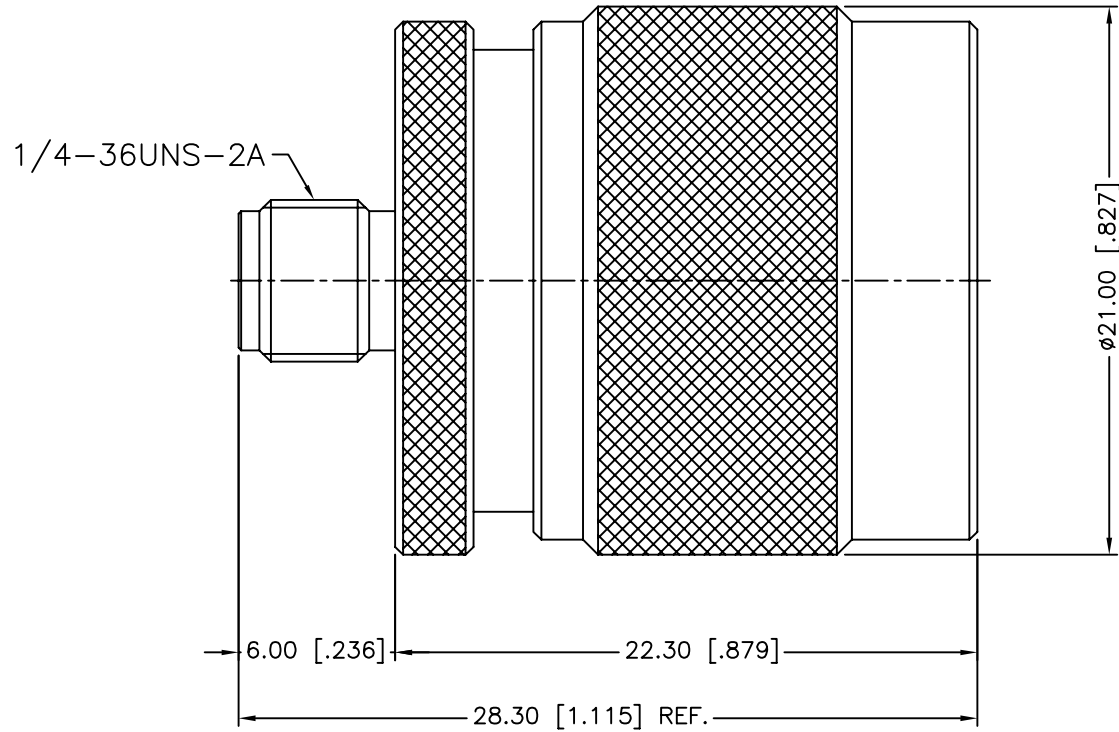


REV.	DATE	ECR NO.	DESCRIPTION
NC	08/25/09	XXXXXX	INITIAL RELEASE



				UNLESS OTHERWISE SPECIFIED DIMENSIONS ARE IN MILLIMETERS. DIMENSIONS IN () ARE IN INCHES AND FOR CUSTOMER REFERENCE ONLY.	APPROVALS	DATE	Amphenol Connex						
8					DRAWN	CW				08/25/09	PART DESCRIPTION N MALE TO SMA FEMALE ADAPTOR		
7	CONTACT BODY	BRASS	NICKEL	1	CHECKED			PART NO. 242113					
6	SHELL	BRASS	NICKEL	1	ISSUED						DWG. NO. 242113.DWG		
5	RETAINER RING	SUS 304	NATURAL	1	SHEET	1 OF 1		REV.	NC	SIZE			
4	GASKET	SILICONE	RED	1	CAD FILE			C:/CONNEX/242113.DWG					
3	CONTACT PIN	PHOSPHOR BRONZE	GOLD	1	UNLESS OTHERWISE SPECIFIED TOLERANCES FOR MILLIMETERS ARE: 0.5 - 8mm ± 0.20mm 8 - 30mm ± 0.40mm 30 - 120mm ± 0.50mm UNLESS OTHERWISE SPECIFIED TOLERANCES FOR INCHES ARE: .020 - .315 ± 0.007" .315 - 1.180 ± 0.015" 1.180 - 4.724 ± 0.020"								
2	INSULATOR	PTFE	NATURAL	1	DO NOT SCALE DRAWING								
1	BODY	BRASS	NICKEL	1									
	DESCRIPTION	MATERIAL	FINISH	QTY									