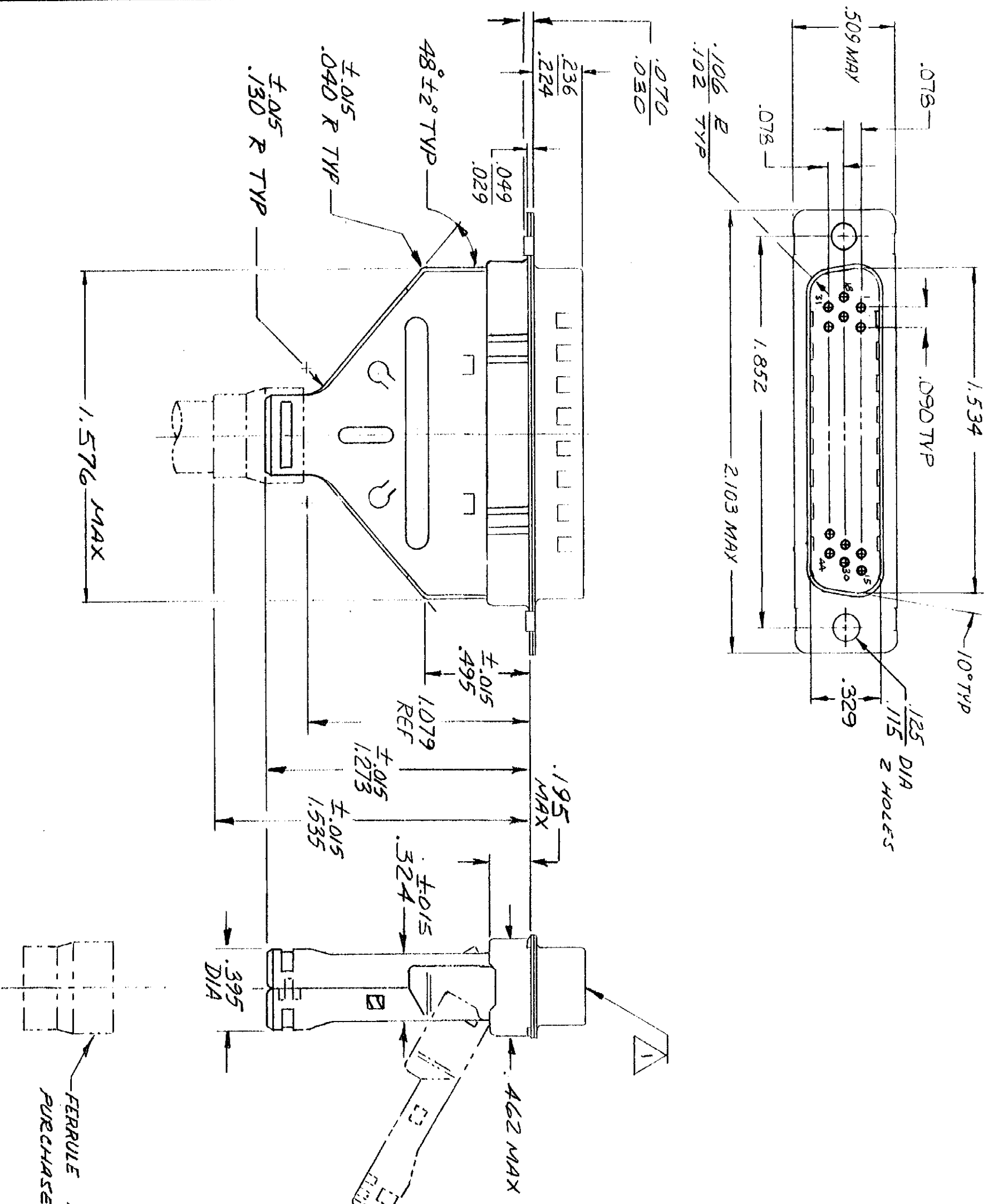


THIS DRAWING IS UNPUBLISHED. RELEASED FOR PUBLICATION
 © COPYRIGHT 19 BY AMP INCORPORATED, HARRISBURG, PA. ALL INTERNATIONAL RIGHTS RESERVED. AMP PRODUCTS MAY BE COVERED BY U.S. AND FOREIGN PATENTS AND/OR PATENTS PENDING.



REV	ZONE	LTR	DESCRIPTION	DATE	APPROVED
0			RELEASED WAS 86-5518-3		
1	A		REV PER ECN 00 4244	9/24/90	

Mod	8	LOC	BD	DIST	39
-----	---	-----	----	------	----

- 1. PLUG ACCEPTS SIZE 22 PIN CONTACTS (CONTACTS MUST BE ORDERED SEPARATELY).
- 2. ALL PARTS SHIPPED UNASSEMBLED, EACH PART INDIVIDUALLY BULK PACKED.
- 3. FLAME RETARDANT 94V-0 GLASS FILLED NYLON, COLOR: BLACK

UNLESS OTHERWISE SPECIFIED DIMENSIONS ARE IN INCHES. TOLERANCES ON: DECIMALS ±.005 ANGLES ±0°30'		CONTRACT NO	
MATERIAL HOUSING: Δ SHIELDS: CS PER ASTM A109 SHIELDS: STEEL PER ASTM A109		DR 4/28/87 CHK Richard 4/30/87	
FINISH SHIELDS AND SHIELDS: TIN PLATED PER MIL-T-10727		APPD D.N.C. 4/30/87	
		APPD V.Kumar 4/30/87	
		DSGN APPD	
		OTHER APPD	
AMP AMP INCORPORATED HARRISBURG, PA. 17105		NAME KIT, PLUG, SHIELDING HARDWARE 44 POSN, SIZE 3, AMPLIMITE® HDP-22	
PART NO 748470-1		SIZE C	
SCALE 2:1		FSCM NO 00779	
SHEET 1 of 1		DRAWING NO 748470	