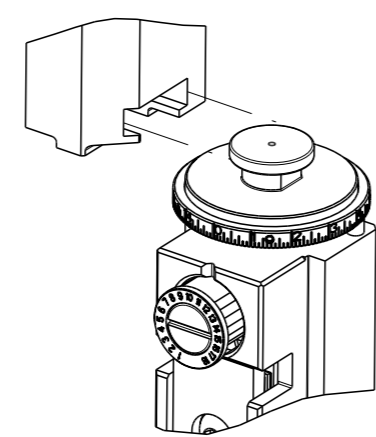


PART NUMBER	REVISION	DESCRIPTION	FEED TYPE
2151545-1	B	FINE CRIMP HEIGHT ADJUST	MECHANICAL
2151545-2	B	FINE CRIMP HEIGHT ADJUST	PNEUMATIC
7-2151545-1	B	MECHANICAL AND CRIMP TOOLING KIT	MECHANICAL
7-2151545-2	B	PNEUMATIC AND CRIMP TOOLING KIT	PNEUMATIC
7-2151545-7	A	CRIMP TOOLING KIT	-

ATLANTIC VERSION TERMINATOR INTERFACE ADAPTER

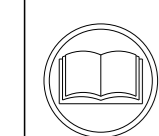


APPLICATOR DATA		
CRIMP	SIZE	TYPE
WIRE	2.03 mm [.080]	F
INSUL	3.05 mm [.120]	F

APPLICATOR INSTRUCTIONS 408-35042

TERMINAL DATA: WEIDMULLER TERMINAL TE CRIMP SPECIFICATION	
TERMINAL NAME: CSL1.6 CONNECTOR	
WIRE STRIP LENGTH	INSULATION DIAMETER RANGE
3.36-3.38 mm [.132-.133 IN]	∅ 2.50-2.82 mm [.098-.111 IN]
TERMINAL APPLICATION SPECIFICATION	NONE
TERMINALS APPLIED	
TE TERMINAL	WEIDMULLER TERMINAL
2113246-1	1582360000

WIRE SIZE	CRIMP HEIGHT mm [INCH]	CRIMP HEIGHT REFERENCE SETTING
16 AWG OR 1.50mm <sup>2</sup>	1.62+/-0.05 [.064+/-0.002]	1.8
1.00mm <sup>2</sup>	1.42+/-0.05 [.056+/-0.002]	4.1
18 AWG OR 0.85mm <sup>2</sup>	1.36+/-0.05 [.054+/-0.002]	5.0



- 1 RECOMMENDED SPARE PARTS
- 2 REFER TO SUPPLIED INSTRUCTION SHEET FOR CLEANING, LUBRICATION AND STORAGE OF APPLICATOR.
- 3 APPLY PART NUMBER 2-23419-6 LOCTITE TO THREADS OF ITEM 242.
- 4 CRIMP HEIGHT REFERENCE SETTING WAS THE SETTING USED WHEN THE APPLICATOR WAS QUALIFIED AT THE FACTORY. ADJUSTMENT MAY BE NECESSARY WHEN RUNNING APPLICATOR IN THE FIELD.
- 5. UNLESS SPECIFIED OTHERWISE TORQUE VALUES SHALL BE USED PER DOCUMENT, 101-35000.

**\*WARNING**  
ON INSTALLATION, SET WIRE DISC TO CRIMP HEIGHT REFERENCE SETTING FOR LARGEST WIRE SIZE. CRIMP HEIGHT REFERENCE SETTINGS GREATER THAN THE VALUE SHOWN MAY CAUSE DAMAGE TO THE CRIMP TOOLING, REFER TO THE INSTRUCTION SHEET FOR PROPER SETUP AND ADJUSTMENTS.

LOC	DIST	REVISIONS			
A	66	REV	DATE	BY	CHK
		A	RELEASED	14MAR2012	BH
		B	ECR-18-018242	21NOV2018	MZ
		B1	ECR-19-000212	07JAN2019	JAH

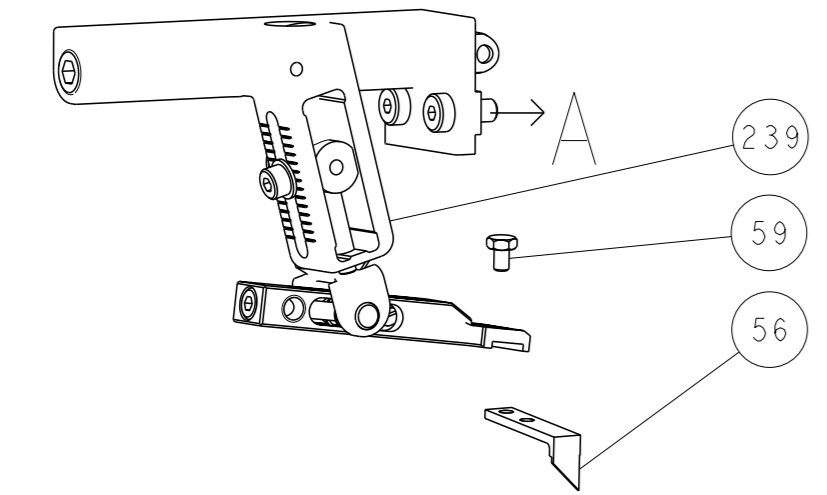
-	1	-	1	-	2119640-1	PUSH ROD, AIR FEED	250
-	1	-	1	-	1803259-1	BUSHING, FLANGED	249
-	1	-	1	-	2119641-1	FEED CAM, AIR FEED	248
-	1	1	1	1	2119082-9	CAM, SNAIL, INSULATION ADJUSTMENT	244
-	1	1	1	1	2079764-1	WASHER, WAVE SPRING, CREST-TO-CREST	243
-	1	1	1	1	2119083-1	RETAINER, INSULATION DIAL	242
-	1	1	1	1	18023-1	SCR, SKT HD CAP M3 X 5.0	241
-	-	1	-	1	2119580-1	MECHANICAL FEED ASSEMBLY	239
-	1	-	1	-	2063440-1	AIR FEED MODULE	238
-	2	-	2	-	21045-3	RING, RETAIN, EXTERN, 3/16 CRESCENT	172
-	REF	REF	REF	REF	994970-2	COUNTER, MAGNETIC	164
-	1	-	1	-	240638-1	SPRING, FEED FINGER	163
-	1	-	1	-	3-23627-7	PIN, RETAIN, GRVD, 3/16 X .854	137
-	1	-	1	-	2119799-1	HOLDER, FEED FINGER, AF	136
-	1	1	1	1	2844908-1	SCREW, LOCKING	99
-	1	1	1	1	2844907-1	POST, LOCKING	98
-	1	1	1	1	455888-4	SPACER, CRIMPER	82
-	1	1	1	1	2-240641-5	SPACER	72
-	1	1	1	1	1803607-1	DOCUMENTATION PACKAGE	71
-	1	1	1	1	2119791-9	DEPRESSOR, WIRE	70
-	1	1	1	1	2119943-1	WASHER, SPACER	69
-	1	1	1	1	2119740-1	TAG, IDENTIFICATION	67
-	2	2	2	2	2168078-1	SCREW, DRIVE, RH, RoHS, 2 x .188	66
-	1	1	1	1	2168083-2	SCR, SKT HD CAP, RoHS, M4 X 8.0	60
-	1	1	1	1	5-18022-5	SCR, HEX HD CAP, M4 X 6.0	59
-	1	1	1	1	1338685-1	PAWL, FEED	56
-	4	4	4	4	2168083-3	SCR, SKT HD CAP, RoHS, M4 X 12.0	54
-	2	2	2	2	1-2168083-2	SCR, SKT HD CAP, RoHS, M4 X 25	53
-	1	1	1	1	5018030-1	NUT, HEX, REG, RoHS, M3	52
-	1	1	1	1	811242-5	BUMPER, HOLD DOWN	51
-	1	1	1	1	690753-2	SPACER, TONKER	50
-	1	2	1	2	18023-9	SCR, SKT HD CAP M4 X 6.0	49
-	-	1	-	1	2119652-1	FEED CAM, PRE FEED	48
-	-	1	-	1	2119653-1	FEED CAM, POST FEED	47
-	1	1	1	1	1803583-9	APPLICATOR BASIC ASSEMBLY, SF	46
-	1	1	1	1	1803515-1	RAM ASSEMBLY, SF ATLANTIC	44
-	1	1	1	1	1803602-1	SCR, BHSC, RoHS (M8 X 25)	41
-	1	1	1	1	1752356-1	SUPPORT, TERMINAL	34
-	2	2	2	2	2079383-5	SCR, BHSC, RoHS (M4 X 20)	33
-	2	2	2	2	2-2844962-8	SPACER, CYLINDRICAL, STRIP GUIDE	30
-	1	1	1	1	2844992-3	ASSEMBLY, STRIP GUIDE	29
-	1	1	1	1	1-455888-0	SPACER, CRIMPER	28
-	1	1	1	1	980371-4	SCR, SKT HD SHLDR 5.0 DIA X 6.0	27
-	2	2	2	2	2-18032-5	SCR, SET, FLT PNT, M5 X 20.0	26
-	2	2	2	2	22283-1	SPRING, COMPRESSION	25
-	1	1	1	1	1320928-6	STRIP GUIDE	24
-	1	1	1	1	1-690438-0	FRONT STRIP GUIDE	23
-	1	1	1	1	2168083-2	SCR, SKT HD CAP, RoHS, M4 X 8.0	21
-	2	2	2	2	1-18028-2	WASHER, FLAT, REG M4	20
-	1	1	1	1	2119533-1	STRIPPER, SIDE FEED	19
-	1	1	1	1	240792-1	DRAG, TERMINAL	18
-	1	1	1	1	356835-1	LEVER, DRAG RELEASE	16
-	4	4	4	4	2168083-1	SCR, SKT HD CAP, RoHS, M3 X 8.0	15
-	1	1	1	1	1633782-4	FENCE	14
-	1	1	1	1	2119806-1	INSERT, SHEAR	13
-	1	1	1	1	3-22280-3	SPRING, COMPRESSION	12
-	1	1	1	1	1-356885-4	STOP, SHEAR	11
-	1	1	1	1	2119805-1	SHEAR HOLDER, FRONT	10
-	1	1	1	1	1803095-1	FLOATING SHEAR, FRONT	9
-	1	2	2	1	1633920-4	ANVIL, COMBINATION	8
-	1	1	1	1	2-240641-9	SPACER	7
-	-	-	-	-	-	-	7
-	-	-	-	-	-	-	6
-	1	1	1	1	2119757-8	DEPRESSOR, SHEAR	5
-	1	1	1	1	238011-7	BLOCK, CRIMPER SPACER	4
-	1	2	2	1	3-2119582-0	CRIMPER, INSULATION F PREMIUM	3
-	-	-	-	-	-	-	2
-	1	2	2	1	4-456405-8	CRIMPER, WIRE PREMIUM	1
-	77	72	71	-2	-1	PART NO	ITEM NO

ATLANTIC VERSION  
Shown on sheets 1 of 4 & 2 of 4  
(Pacific version shown on sheets 3 of 4 & 4 of 4)

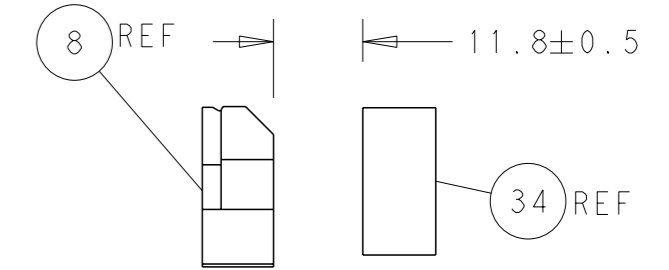
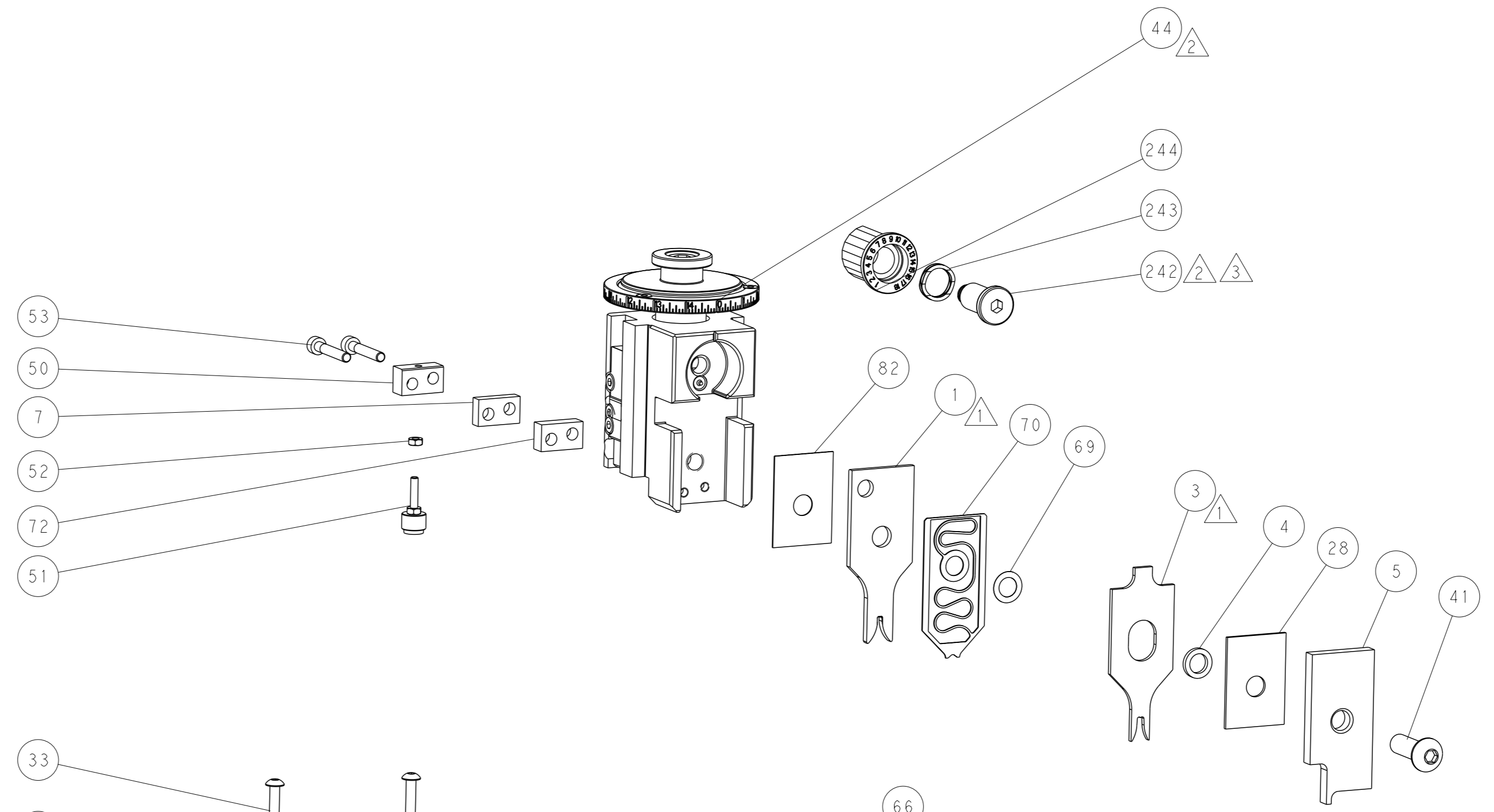
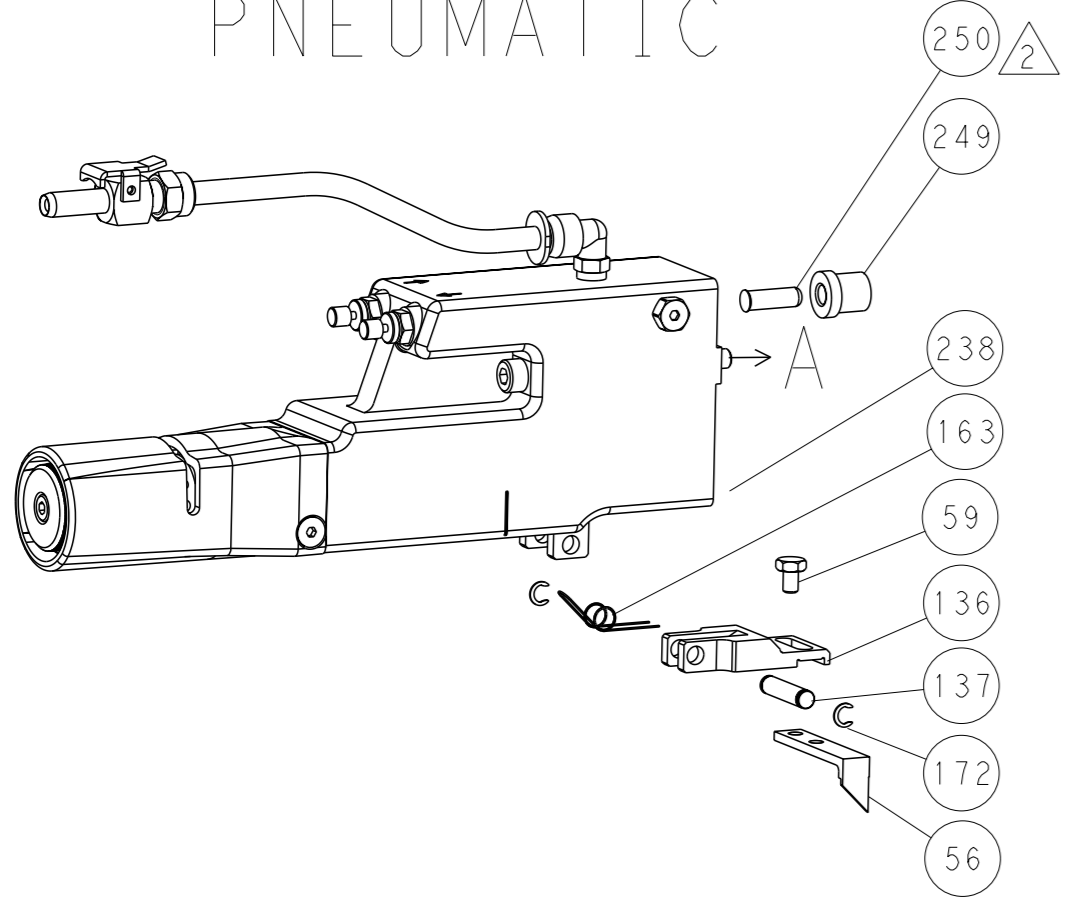
DIMENSIONS:		TOLERANCES UNLESS OTHERWISE SPECIFIED:		APPLICATOR DATA		CUSTOMER ACCESSIBLE PRODUCTION DRAWING	
mm	PLC	mm	PLC	SIZE	CAGE CODE	DRAWING NO	RESTRICTED TO
	0 PLC ±		0 PLC ±	A1	00779	2151545	
	1 PLC ±		1 PLC ±	SCALE 1:2 SHEET 1 OF 4 REV B1			
	2 PLC ±		2 PLC ±	SHEETS 3 & 4 ARE NOT REQUIRED FOR ATLANTIC VERSION			
	3 PLC ±		3 PLC ±				
	4 PLC ±		4 PLC ±				
	ANGLES		FINISH				

LOC	DIST	REVISIONS					
A	66	P	LYR	DESCRIPTION	DATE	OWN	APVD
		-		SEE SHEET 1	-	-	-

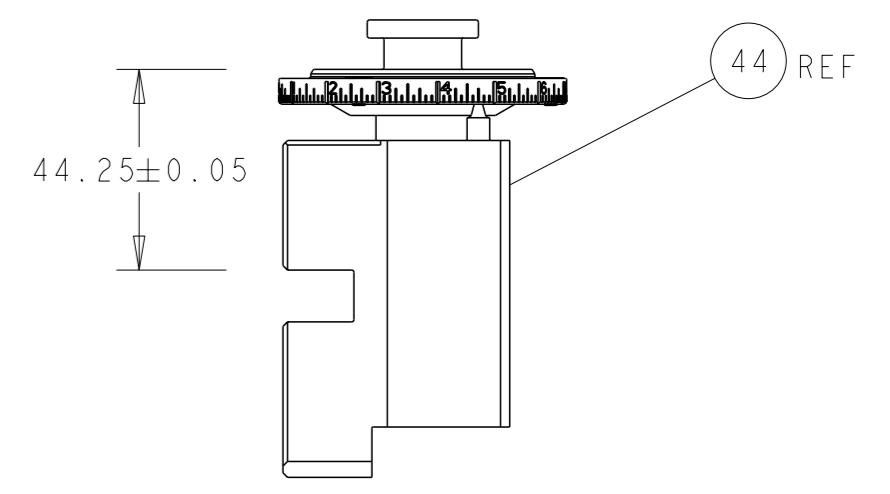
# FEED TYPE MECHANICAL



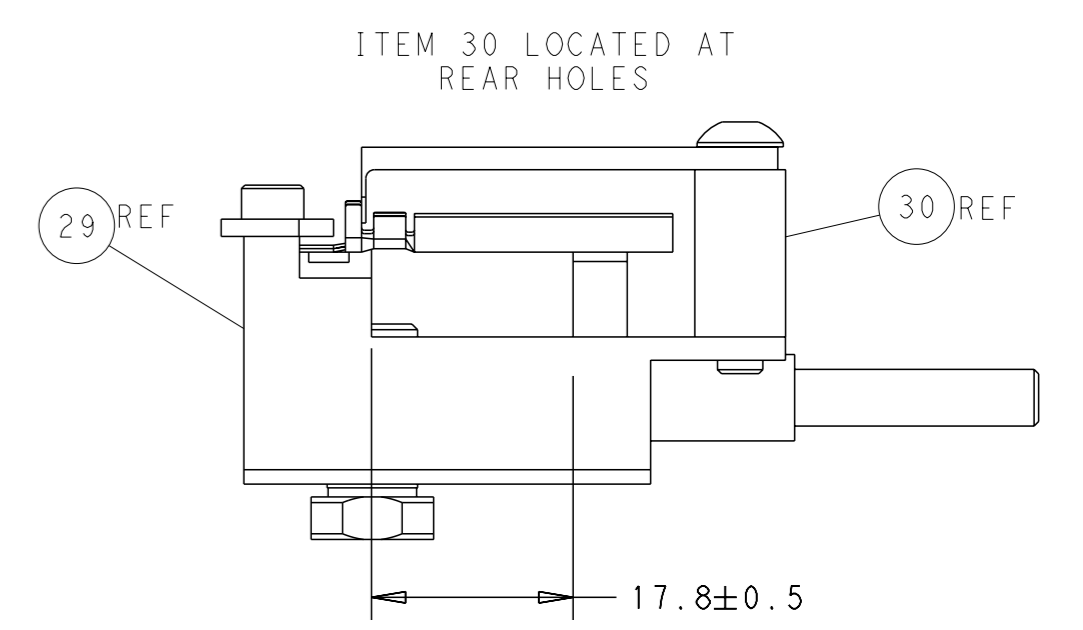
# PNEUMATIC



TERMINAL SUPPORT LOCATION

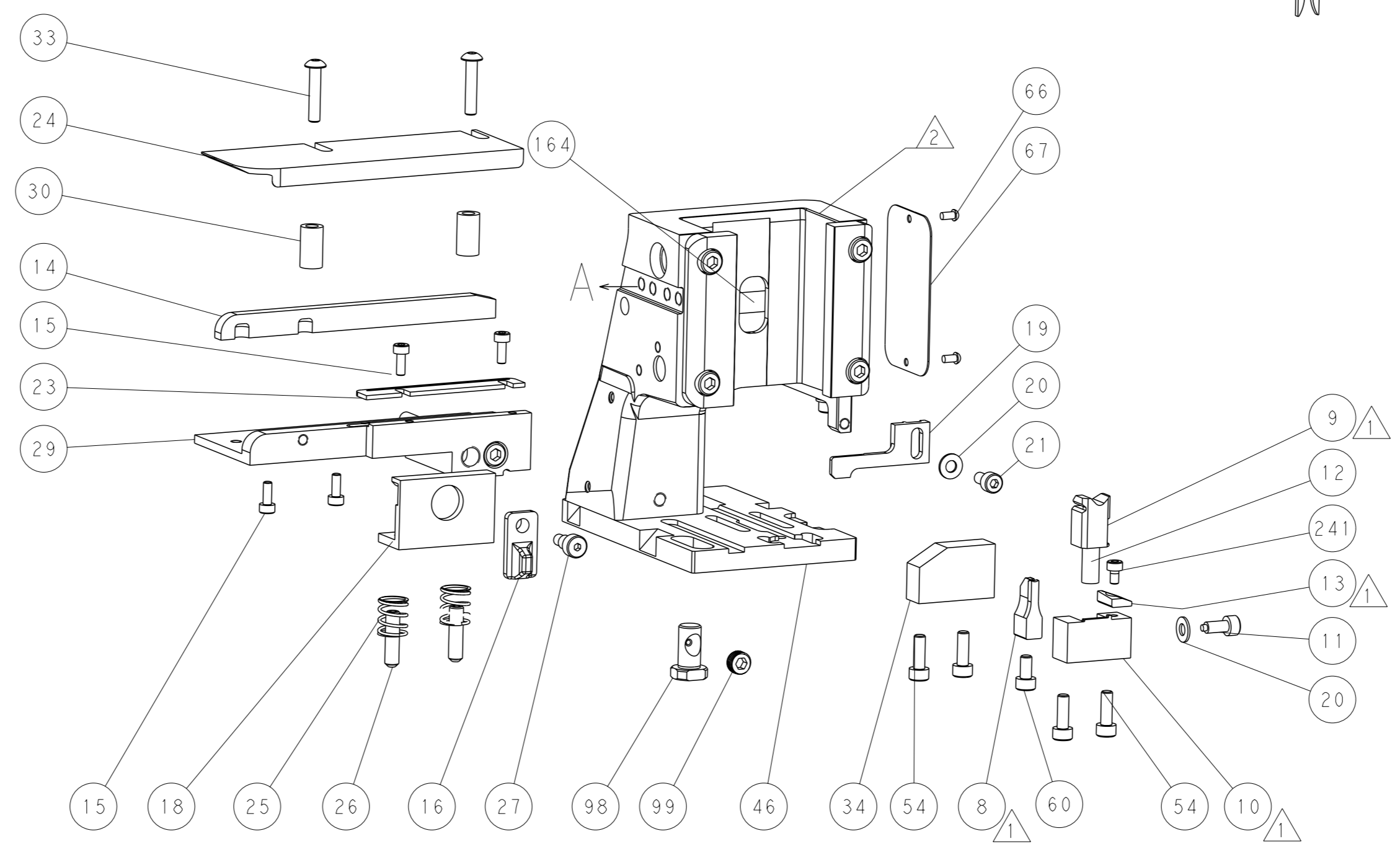
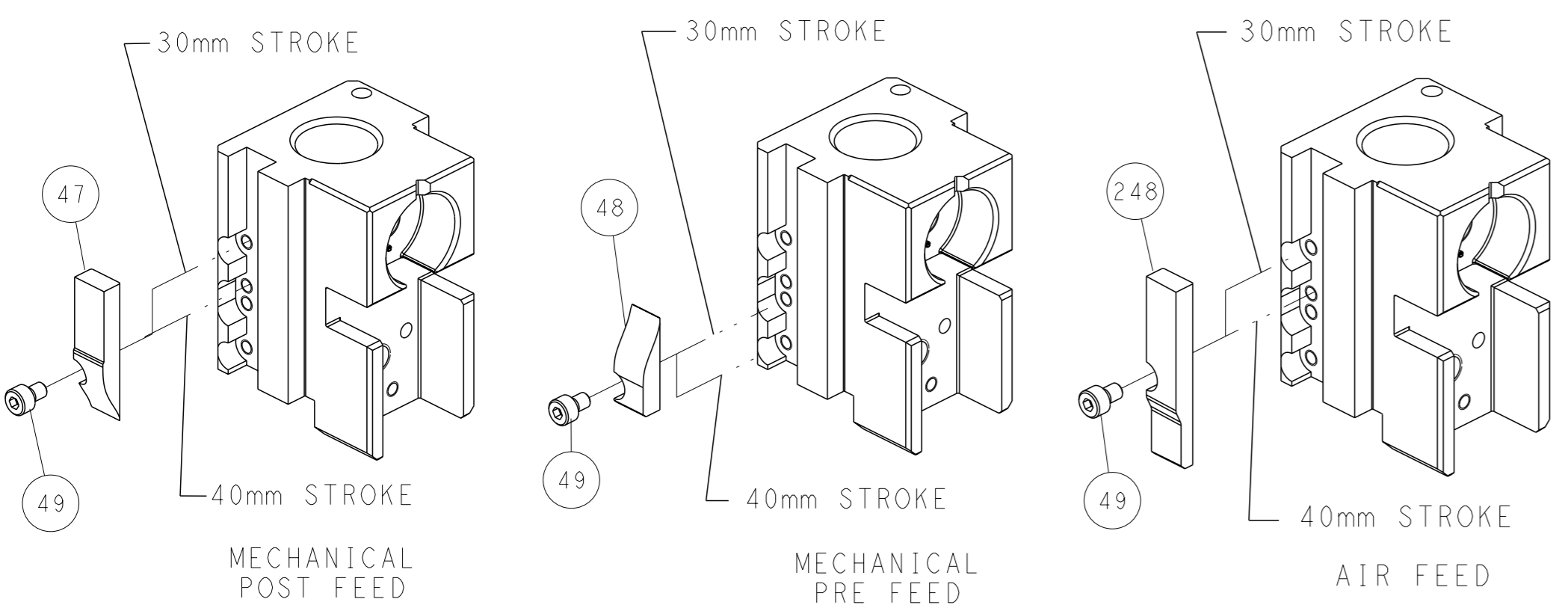


RAM SET-UP



FEED TRACK POSITION GUIDE BY INSULATION BARREL

# CAM POSITIONS



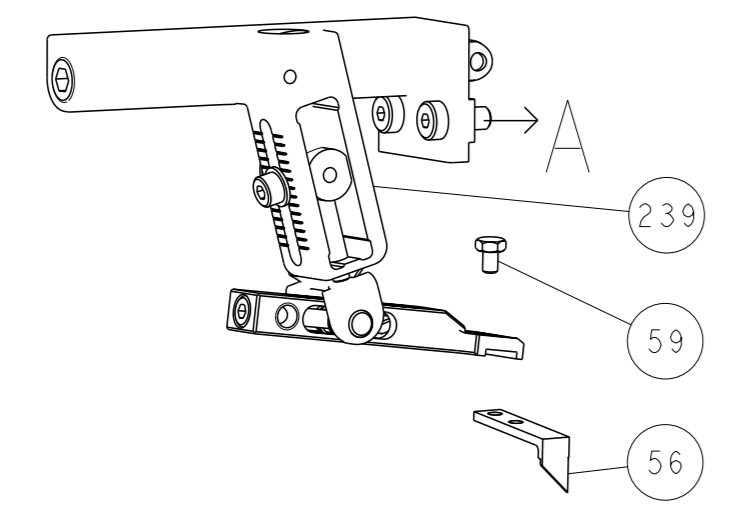
**ATLANTIC VERSION**  
 Shown on sheets 1 of 4 & 2 of 4  
 (Pacific version shown on sheets 3 of 4 & 4 of 4)

DIMENSIONS: mm 		TOLERANCES UNLESS OTHERWISE SPECIFIED: 0 PLC ± 1 PLC ± 2 PLC ± 3 PLC ± 4 PLC ± ANGLES ±		OWN: BOB HIGMAN 20JAN2012 CHK: T. ELBIN 20JAN2012 APVD: M. CLIFFORD 20JAN2012 PRODUCT SPEC APPLICATION SPEC WEIGHT CUSTOMER ACCESSIBLE PRODUCTION DRAWING		NAME: Ocean Side Feed Applicator SIZE: A1 CAGE CODE: 00779 DRAWING NO: 2151545 SCALE: 1:2 SHEET: 2 of 4 REV: B1	
-----------------------	--	---	--	---	--	---	--

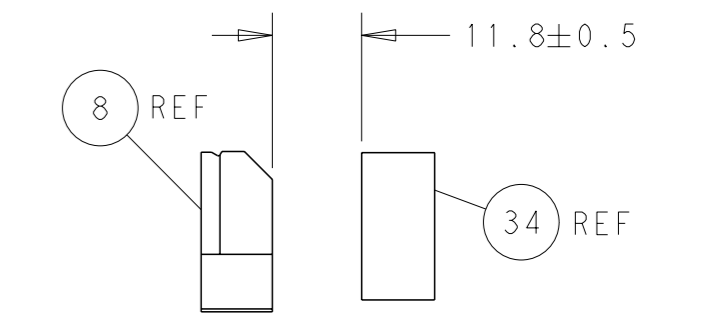
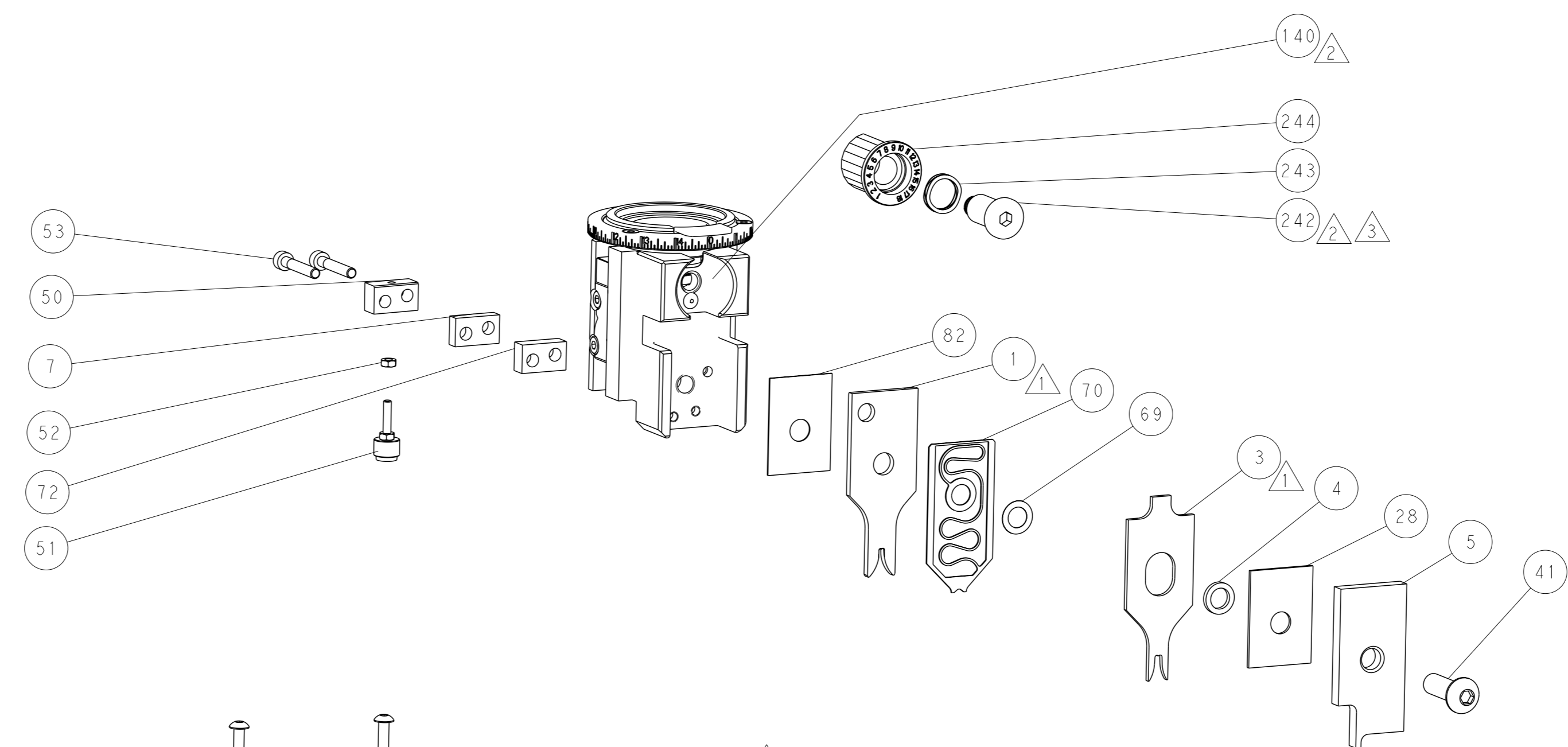
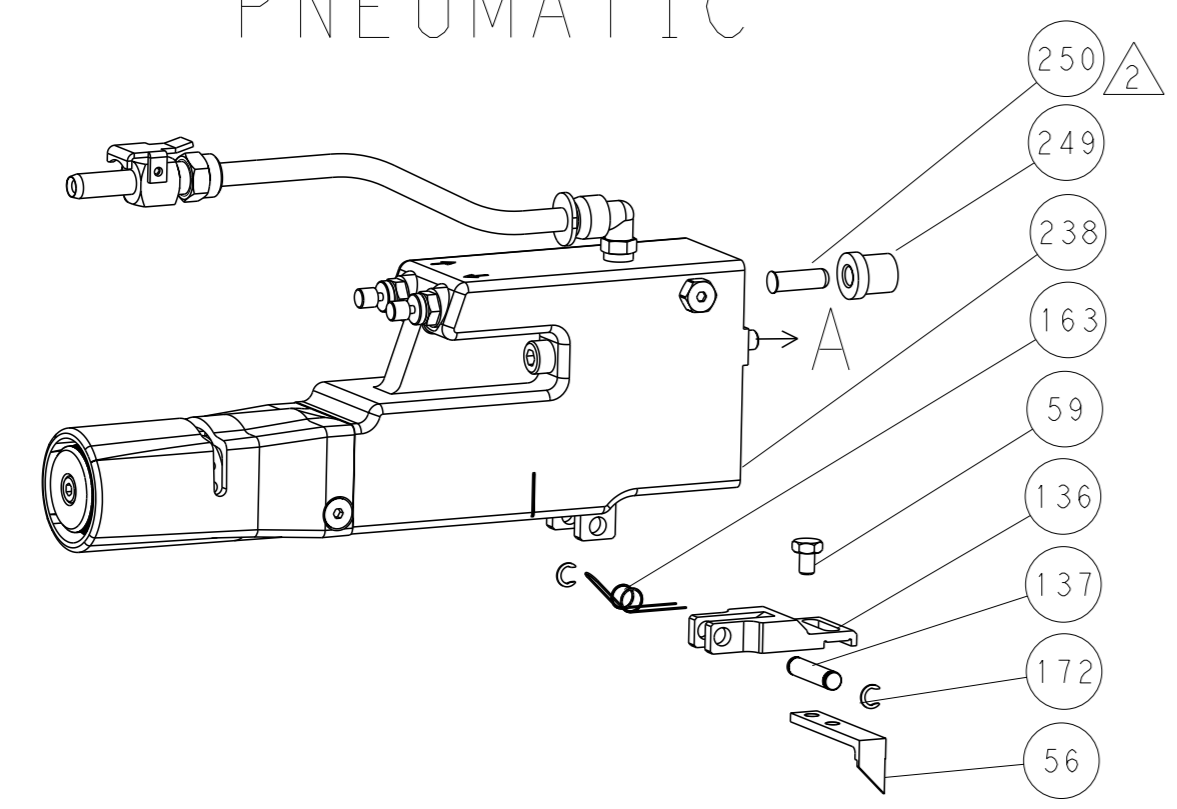


LOC		DIST		REVISIONS			
A	66	P	LYR	DESCRIPTION	DATE	OWN	APVD
		-		SEE SHEET 1			

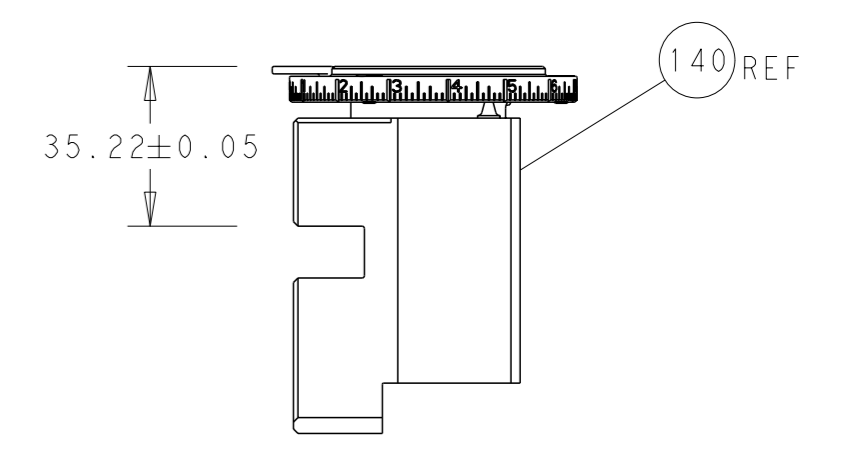
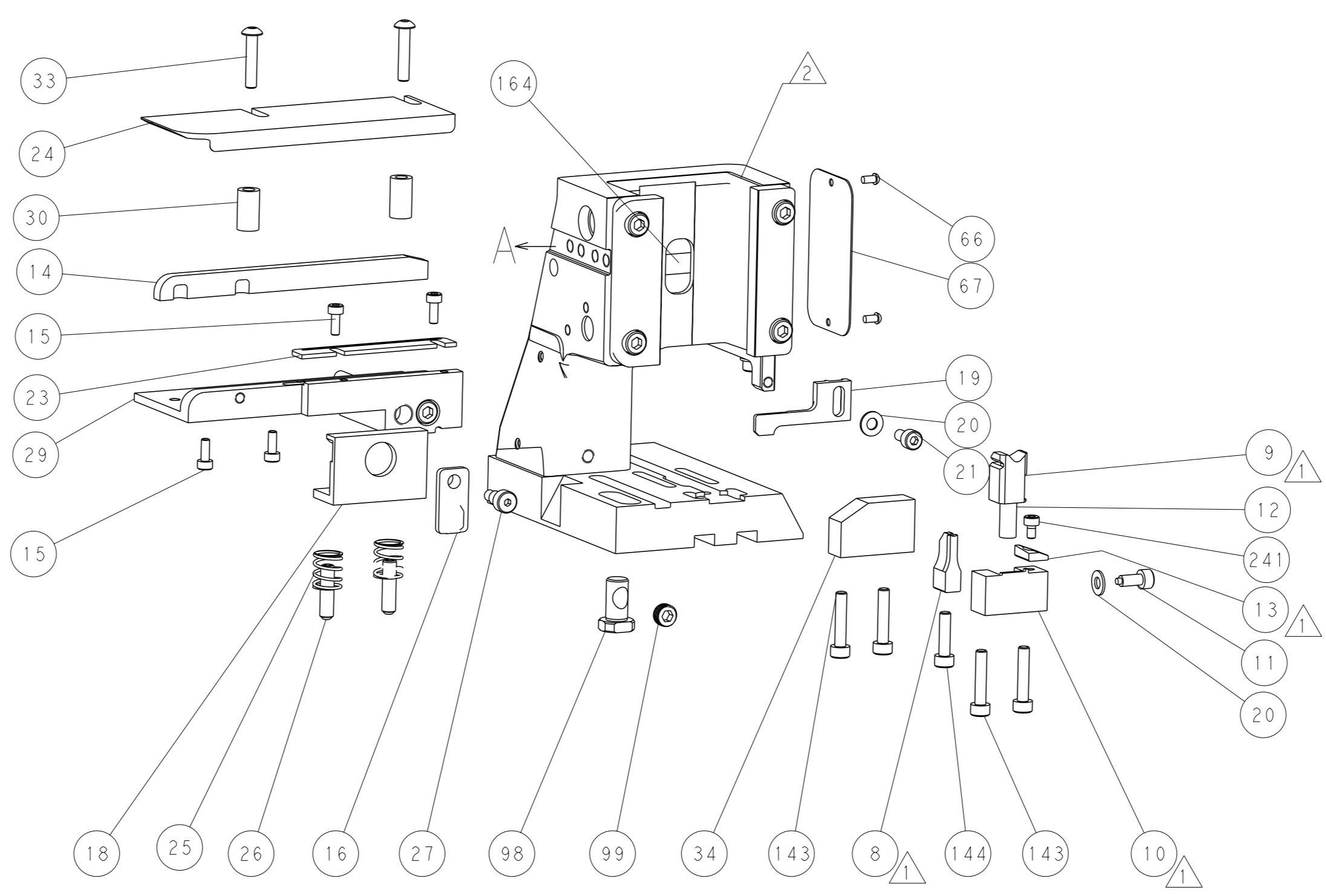
# FEED TYPE MECHANICAL



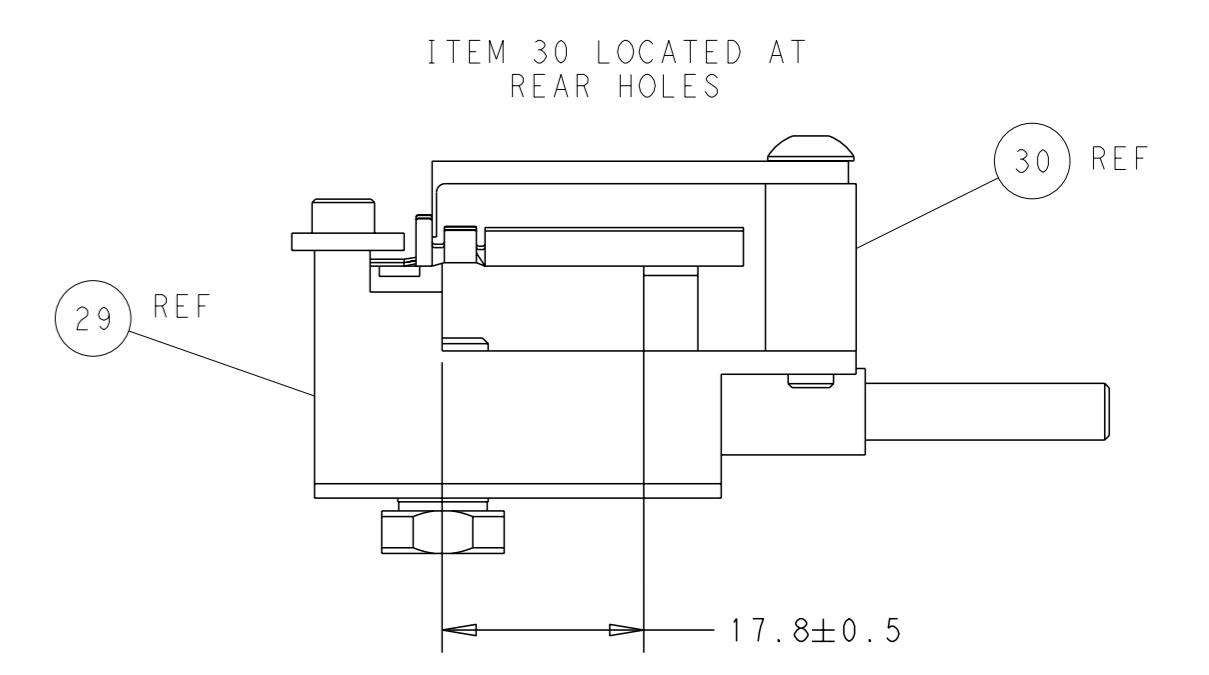
# PNEUMATIC



TERMINAL SUPPORT LOCATION

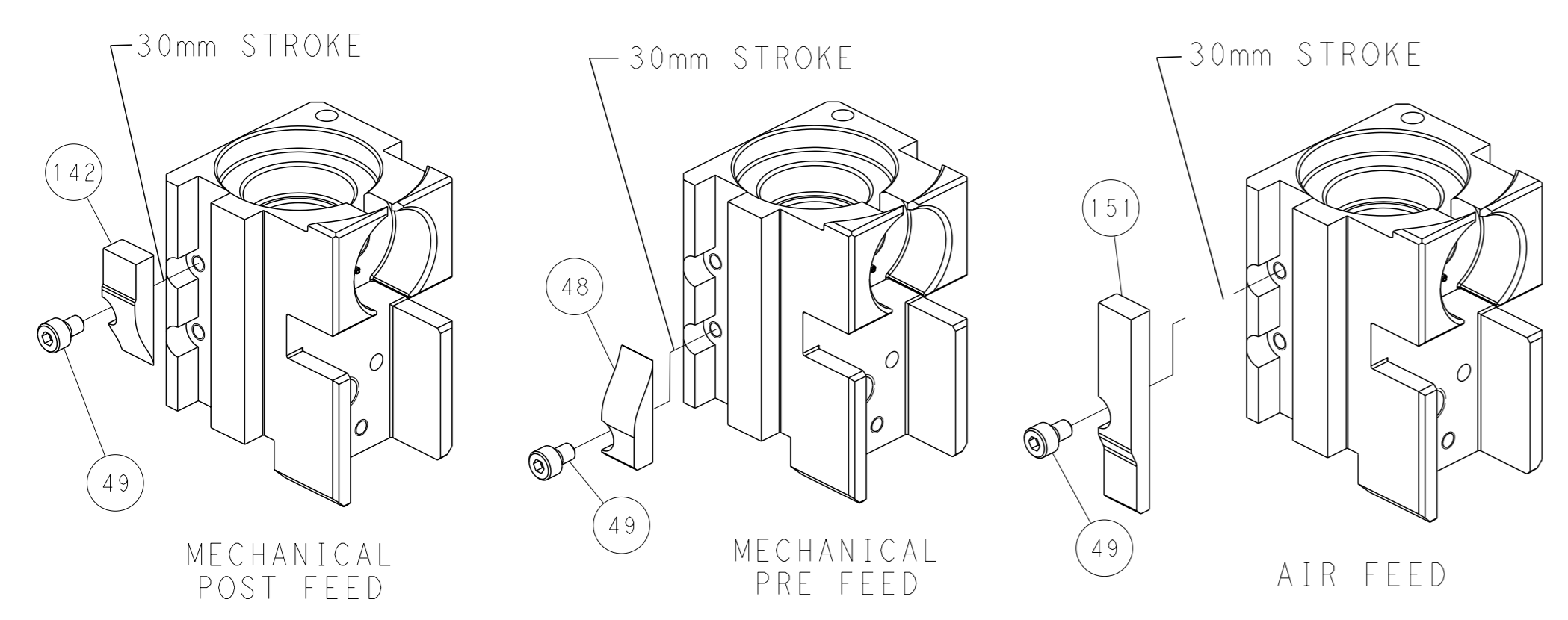


RAM SET-UP



FEED TRACK POSITION  
GUIDE BY INSULATION BARREL

# CAM POSITIONS



**PACIFIC VERSION**  
 Shown on sheets 3 of 4 & 4 of 4  
 (Atlantic version shown on sheets 1 of 4 & 2 of 4)

<small>THIS DRAWING IS A CONTROLLED DOCUMENT FOR TYCO ELECTRONICS CORPORATION. IT IS SUBJECT TO CHANGE AND THE CONTROLLER'S ENGINEERING DEPARTMENT SHOULD BE CONTACTED FOR THE LATEST REVISION.</small>		DWN BOB HIGMAN 20JAN2012 CHK T. ELBIN 20JAN2012 APVD M. CLIFFORD 20JAN2012	NAME Ocean Side Feed Applicator
DIMENSIONS: mm 	TOLERANCES UNLESS OTHERWISE SPECIFIED: 0 PLC ± 1 PLC ± 2 PLC ± 3 PLC ± 4 PLC ± ANGLES ± FINISH ±	PRODUCT SPEC APPLICATION SPEC WEIGHT CUSTOMER ACCESSIBLE PRODUCTION DRAWING	SIZE CAGE CODE DRAWING NO A1 00779 ©=2151545 SCALE 1:2 SHEET 4 OF 4 REV B1