

# ON Semiconductor

## Is Now

# onsemi™

To learn more about onsemi™, please visit our website at  
[www.onsemi.com](http://www.onsemi.com)

---

**onsemi** and **onsemi** and other names, marks, and brands are registered and/or common law trademarks of Semiconductor Components Industries, LLC dba "**onsemi**" or its affiliates and/or subsidiaries in the United States and/or other countries. **onsemi** owns the rights to a number of patents, trademarks, copyrights, trade secrets, and other intellectual property. A listing of **onsemi** product/patent coverage may be accessed at [www.onsemi.com/site/pdf/Patent-Marking.pdf](http://www.onsemi.com/site/pdf/Patent-Marking.pdf). **onsemi** reserves the right to make changes at any time to any products or information herein, without notice. The information herein is provided "as-is" and **onsemi** makes no warranty, representation or guarantee regarding the accuracy of the information, product features, availability, functionality, or suitability of its products for any particular purpose, nor does **onsemi** assume any liability arising out of the application or use of any product or circuit, and specifically disclaims any and all liability, including without limitation special, consequential or incidental damages. Buyer is responsible for its products and applications using **onsemi** products, including compliance with all laws, regulations and safety requirements or standards, regardless of any support or applications information provided by **onsemi**. "Typical" parameters which may be provided in **onsemi** data sheets and/or specifications can and do vary in different applications and actual performance may vary over time. All operating parameters, including "Typicals" must be validated for each customer application by customer's technical experts. **onsemi** does not convey any license under any of its intellectual property rights nor the rights of others. **onsemi** products are not designed, intended, or authorized for use as a critical component in life support systems or any FDA Class 3 medical devices or medical devices with a same or similar classification in a foreign jurisdiction or any devices intended for implantation in the human body. Should Buyer purchase or use **onsemi** products for any such unintended or unauthorized application, Buyer shall indemnify and hold **onsemi** and its officers, employees, subsidiaries, affiliates, and distributors harmless against all claims, costs, damages, and expenses, and reasonable attorney fees arising out of, directly or indirectly, any claim of personal injury or death associated with such unintended or unauthorized use, even if such claim alleges that **onsemi** was negligent regarding the design or manufacture of the part. **onsemi** is an Equal Opportunity/Affirmative Action Employer. This literature is subject to all applicable copyright laws and is not for resale in any manner. Other names and brands may be claimed as the property of others.

# KAI-1010

## 1008 (H) x 1018 (V) Interline CCD Image Sensor

### Description

The KAI-1010 Image Sensor is a high-resolution monochrome charge coupled device (CCD) device whose non-interlaced architecture makes it ideally suited for video, electronic still and motion/still camera applications. The device is built using an advanced true two-phase, double-polysilicon, NMOS CCD technology. The p+npn- photodetector elements eliminate image lag and reduce image smear while providing antiblooming protection and electronic-exposure control. The total chip size is 10.15 (H) mm × 10.00 (V) mm

**Table 1. GENERAL SPECIFICATIONS**

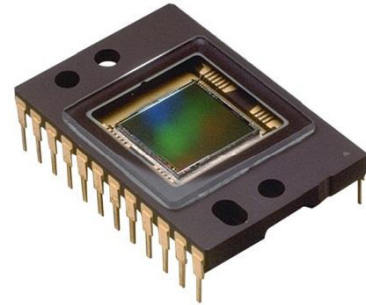
Parameter	Typical Value
Architecture	Interline CCD, Non-Interlaced
Total Number of Pixels	1024 (H) × 1024 (V)
Number of Effective Pixels	1008 (H) × 1018 (V)
Number of Active Pixels	1008 (H) × 1018 (V)
Number of Outputs	1 or 2
Pixel Size	9 μm (H) × 9 μm (V)
Active Image Size	9.1 mm (H) × 9.2 mm (V) 12.9 mm (Diagonal) 1" Optical Format
Optical Fill-Factor	60%
Saturation Signal	> 50,000 e <sup>-</sup>
Output Sensitivity	12 μV/e <sup>-</sup>
Dark Noise	50 e <sup>-</sup> rms
Dark Current	< 0.5 nA/cm <sup>2</sup>
Quantum Efficiency (Wavelength = 500 nm)	37%
Blooming Suppression	> 100 X
Maximum Data Rate	20 MHz/Channel (2 Channels)
Image Lag	Negligible
Package	CERDIP
Cover Glass	AR Coated (Both Sides)

NOTE: All Parameters are specified at T = 40°C unless otherwise noted.



**ON Semiconductor®**

[www.onsemi.com](http://www.onsemi.com)



**Figure 1. KAI-1010 Interline CCD Image Sensor**

### Features

- Front Illuminated Interline Architecture
- Progressive Scan (Non-Interlaced)
- Electronic Shutter
- On-Chip Dark Reference
- Low Dark Current
- High Sensitivity Output Structure
- Anti-Blooming Protection
- Negligible Lag
- Low Smear (0.1% with Microlens)

### Application

- Machine Vision

### ORDERING INFORMATION

See detailed ordering and shipping information on page 2 of this data sheet.

# KAI-1010

## ORDERING INFORMATION

**Table 2. ORDERING INFORMATION – KAI-1010 Image Sensor**

Part Number	Description	Marking Code
KAI-1010-ABA-CD-AE	Monochrome, Telemetric Microlens, CERDIP Package (Sidebrazed), Clear Cover Glass with AR Coating (Both Sides), Engineering Sample	KAI-1010M Serial Number
KAI-1010-ABA-CD-BA	Monochrome, Telemetric Microlens, CERDIP Package (Sidebrazed), Clear Cover Glass with AR Coating (Both Sides), Standard Grade	
KAI-1010-ABA-CR-AE	Monochrome, Telemetric Microlens, CERDIP Package (Sidebrazed), Taped Clear Cover Glass with AR Coating (2 Sides), Engineering Sample	
KAI-1010-ABA-CR-BA	Monochrome, Telemetric Microlens, CERDIP Package (Sidebrazed), Taped Clear Cover Glass with AR Coating (2 Sides), Standard Grade	

See the ON Semiconductor *Device Nomenclature* document (TND310/D) for a full description of the naming convention used for image sensors. For reference documentation, including information on evaluation kits, please visit our web site at [www.onsemi.com](http://www.onsemi.com).

DEVICE DESCRIPTION

Architecture

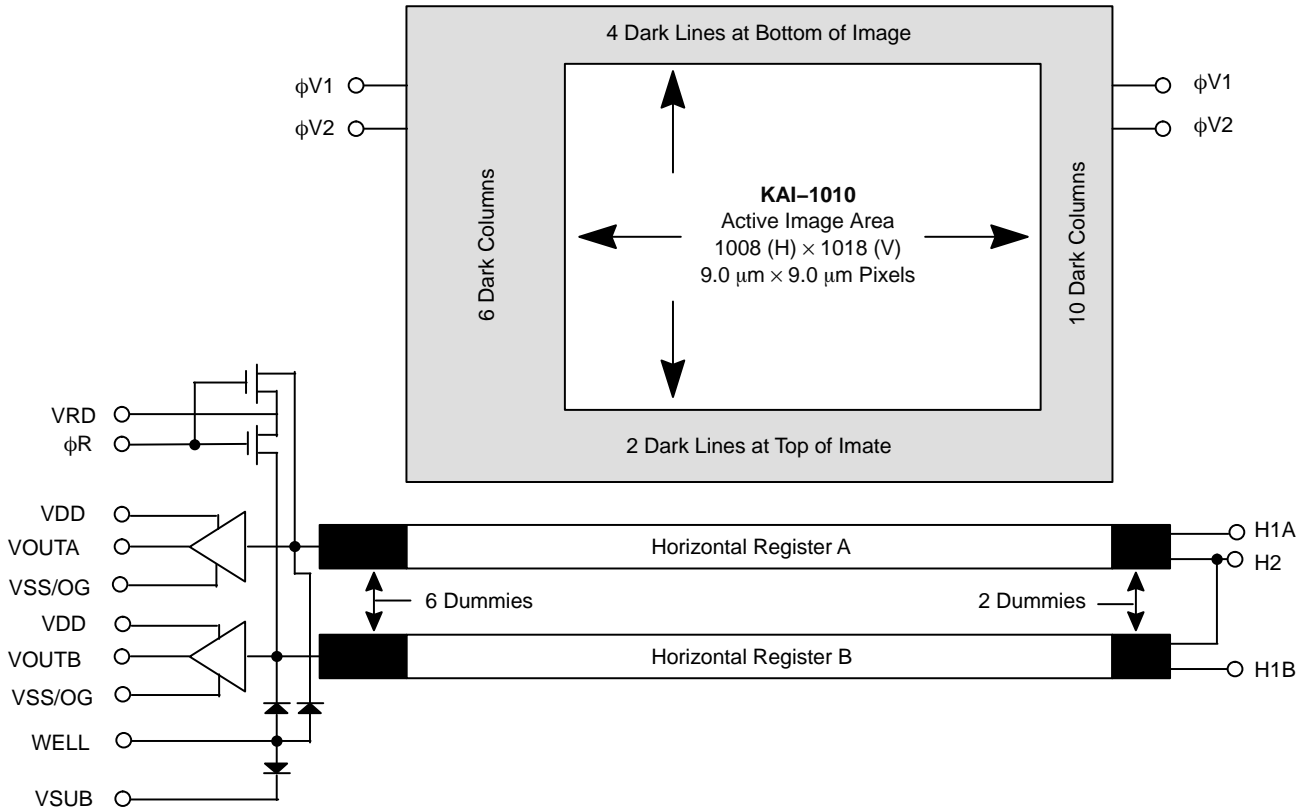


Figure 2. Functional Block Diagram

The KAI-1010 consists of  $1024 \times 1024$  photodiodes, 1024 vertical (parallel) CCD shift registers (VCCDs), and dual 1032 pixel horizontal (serial) CCD shift registers (HCCDs) with independent output structures. The device can be operated in either single or dual line mode. The advanced, progressive-scan architecture of the device allows the entire image area to be read out in a single scan. The active pixels are arranged in a  $1008 (H) \times 1018 (V)$  array with an additional 16 columns and 6 rows of light-shielded dark reference pixels.

Image Acquisition

An electronic representation of an image is formed when incident photons falling on the sensor plane create electron-hole pairs within the individual silicon photodiodes. These photoelectrons are collected locally by the formation of potential wells at each photosite. Below photodiode saturation, the number of photoelectrons collected at each pixel is linearly dependent on light level and exposure time and non-linearly dependent on wavelength. When the photodiode's charge capacity is reached, excess electrons are discharged into the substrate to prevent blooming.

Charge Transport

The accumulated or integrated charge from each photodiode is transported to the output by a three step process. The charge is first transported from the photodiodes to the VCCDs by applying a large positive voltage to the phase-one vertical clock ( $\phi V1$ ). This reads out every row, or line, of photodiodes into the VCCDs.

The charge is then transported from the VCCDs to the HCCDs line by line. Finally, the HCCDs transport these rows of charge packets to the output structures pixel by pixel. On each falling edge of the horizontal clock,  $\phi H2$ , these charge packets are dumped over the output gate (OG, Figure 4) onto the floating diffusion (FDA and FDB, Figure 4).

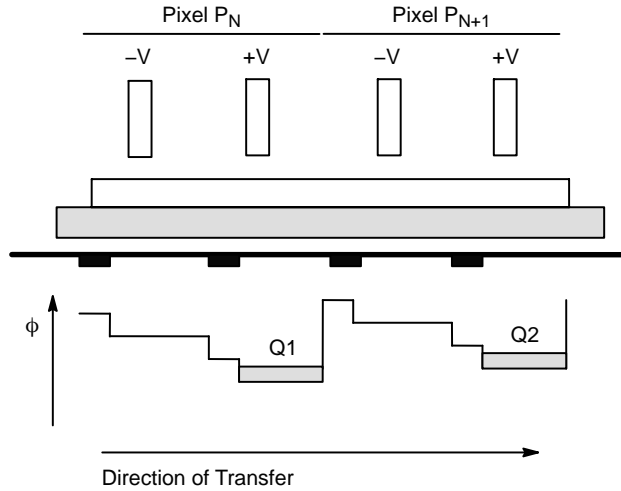
Both the horizontal and vertical shift registers use traditional two-phase complementary clocking for charge transport. Transfer to the HCCDs begins when  $\phi V2$  is clocked high and then low (while holding  $\phi H1A$  high) causing charge to be transferred from  $\phi V1$  to  $\phi V2$  and subsequently into the A HCCD. The A register can now be read out in single line mode. If it is desired to operate the device in a dual line readout mode for higher frame rates, this

# KAI-1010

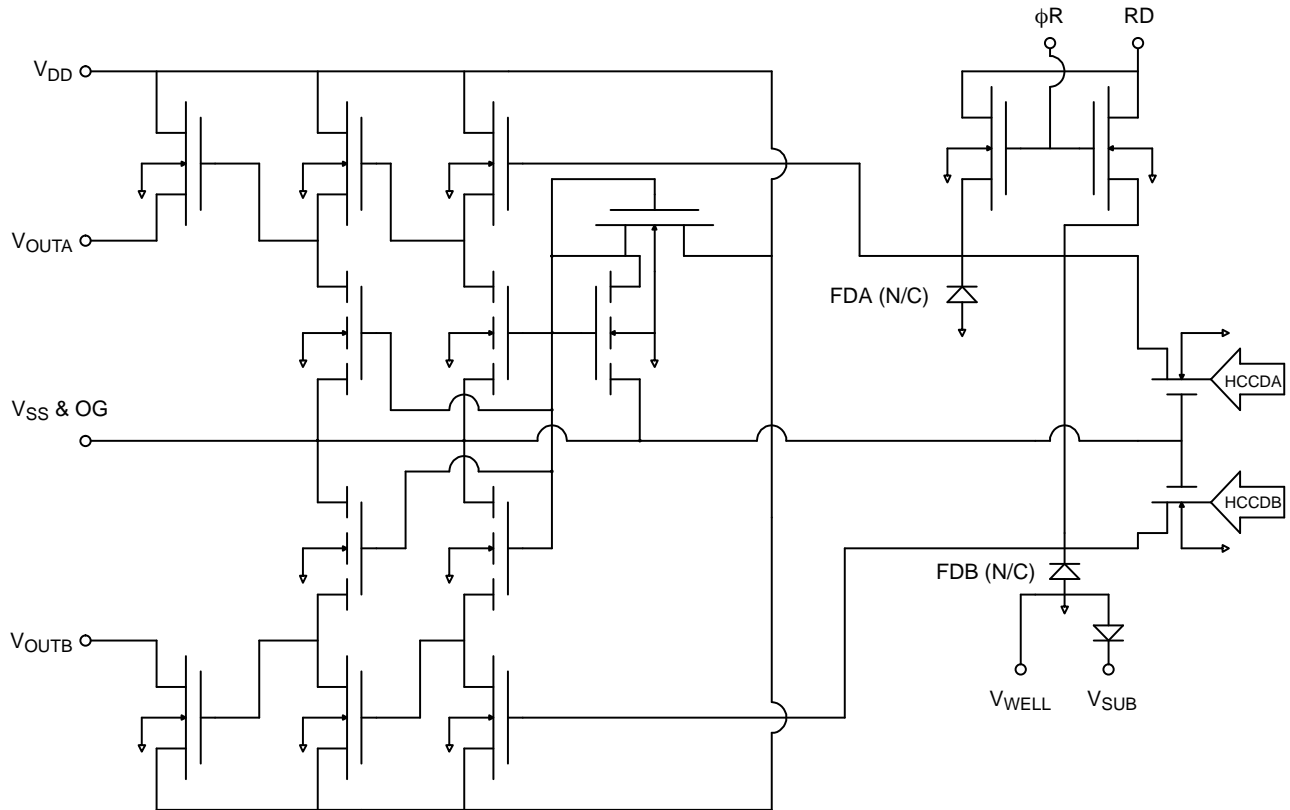
line is transferred into the B HCCD by clocking  $\phi H1A$  to a low state, and  $\phi H1B$  to a high state while holding  $\phi H2$  low. After  $\phi H1A$  is returned to a high state, the next line can be transferred into the A HCCD. After this clocking sequence, both HCCDs are read out in parallel.

The charge capacity of the horizontal CCDs is slightly more than twice that of the vertical CCDs. This feature

allows the user to perform two-to-one line aggregation in the charge domain during V-to-H transfer. This device is also equipped with a fast dump feature that allows the user to selectively dump complete lines (or rows) of pixels at a time. This dump, or line clear, is also accomplished during the V-to-H transfer time by clocking the fast dump gate.



**Figure 3. True 2 Phase CCD Cross Section**



**Figure 4. Output Structure**

## Output Structure

Charge packets contained in the horizontal register are dumped pixel by pixel, onto the floating diffusion output node whose potential varies linearly with the quantity of charge in each packet. The amount of potential change is determined by the expression  $\Delta V_{FD} = \Delta Q / C_{FD}$ . A three stage source-follower amplifier is used to buffer this signal voltage off chip with slightly less than unity gain. The translation from the charge domain to the voltage domain is quantified by the output sensitivity or charge to voltage conversion in terms of  $\mu V/e^-$ . After the signal has been sampled off-chip, the reset clock ( $\phi R$ ) removes the charge from the floating diffusion and resets its potential to the reset-drain voltage (VRD).

## Electronic Shutter

The KAI-1010 provides a structure for the prevention of blooming which may be used to realize a variable exposure time as well as performing the anti-blooming function. The anti-blooming function limits the charge capacity of the photodiode by draining excess electrons vertically into the substrate (hence the name Vertical Overflow Drain or VOD). This function is controlled by applying a large potential to the device substrate (device terminal SUB). If a sufficiently large voltage pulse ( $VES \approx 40 V$ ) is applied to the substrate, all photodiodes will be emptied of charge through the substrate, beginning the integration period.

After returning the substrate voltage to the nominal value, charge can accumulate in the diodes and the charge packet is subsequently readout onto the VCCD at the next occurrence of the high level on  $\phi V1$ . The integration time is then the time between the falling edges of the substrate shutter pulse and  $\phi V1$ . This scheme allows electronic variation of the exposure time by a variation in the clock timing while maintaining a standard video frame rate.

Application of the large shutter pulse must be avoided during the horizontal register readout or an image artifact will appear due to feedthrough. The shutter pulse VES must be "hidden" in the horizontal retrace interval. The integration time is changed by skipping the shutter pulse from one horizontal retrace interval to another.

The smear specification is not met under electronic shutter operation. Under constant light intensity and spot size, if the electronic exposure time is decreased, the smear signal will remain the same while the image signal will decrease linearly with exposure. Smear is quoted as a percentage of the image signal and so the percent smear will increase by the same factor that the integration time has decreased. This effect is basic to interline devices.

Extremely bright light can potentially harm solid state imagers such as Charge-Coupled Devices (CCDs). Refer to Application Note *Using Interline CCD Image Sensors in High Intensity Visible Lighting Conditions*.

# KAI-1010

## Physical Description

### Pin Description and Device Orientation

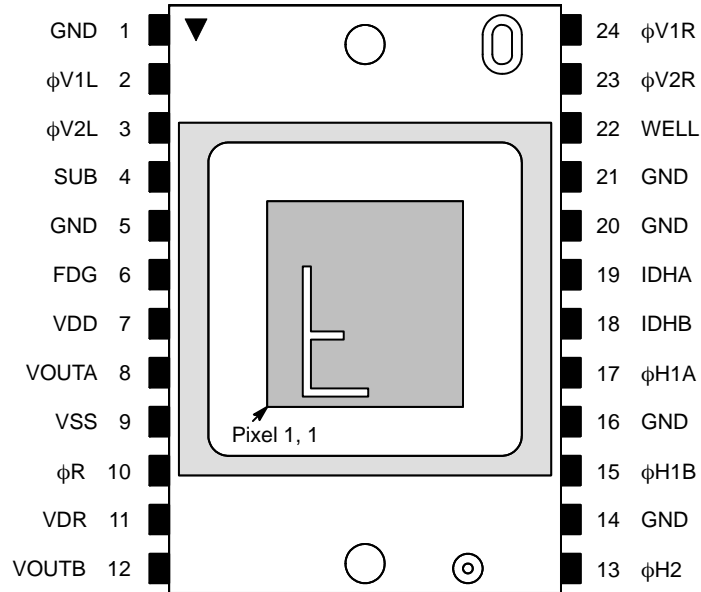


Figure 5. Pinout Diagram

Table 3. PIN DESCRIPTION

Pin	Name	Description
1	GND	Ground
2	$\phi V1L$	Vertical CCD Clock – Phase 1
3	$\phi V2L$	Vertical CCD Clock – Phase 2
4	SUB	Substrate
5	GND	Ground
6	FDG	Fast Dump Gate
7	VDD	Output Amplifier Supply
8	VOUTA	Video Output Channel A
9	VSS	Output Amplifier Return & OG
10	$\phi R$	Reset Clock
11	VDR	Reset Drain
12	VOUTB	Video Output Channel B

Pin	Name	Description
13	$\phi H2$	A & B Horizontal CCD Clock – Phase 2
14	GND	Ground
15	$\phi H1B$	B Horizontal CCD Clock – Phase 1
16	GND	Ground
17	$\phi H1A$	A Horizontal CCD Clock – Phase 1
18	IDHB	Input Diode B Horizontal CCD
19	IDHA	Input Diode B Horizontal CCD
20	GND	Ground
21	GND	Ground
22	WELL	P-Well
23	$\phi V2R$	Vertical CCD Clock – Phase 2
24	$\phi V1R$	Vertical CCD Clock – Phase 1

1. All GND pins should be connected to WELL (P-Well).
2. Pins 2 and 24 must be connected together – only 1 Phase 1 clock driver is required.
3. Pins 3 and 23 must be connected together – only 1 Phase 2 clock driver is required.

**IMAGING PERFORMANCE**

All the following values were derived using nominal operating conditions using the recommended timing. Unless otherwise stated, readout time = 140 ms, integration time = 140 ms and sensor temperature = 40°C. Correlated double sampling of the output is assumed and recommended. Many

units are expressed in electrons, to convert to voltage, multiply by the amplifier sensitivity.

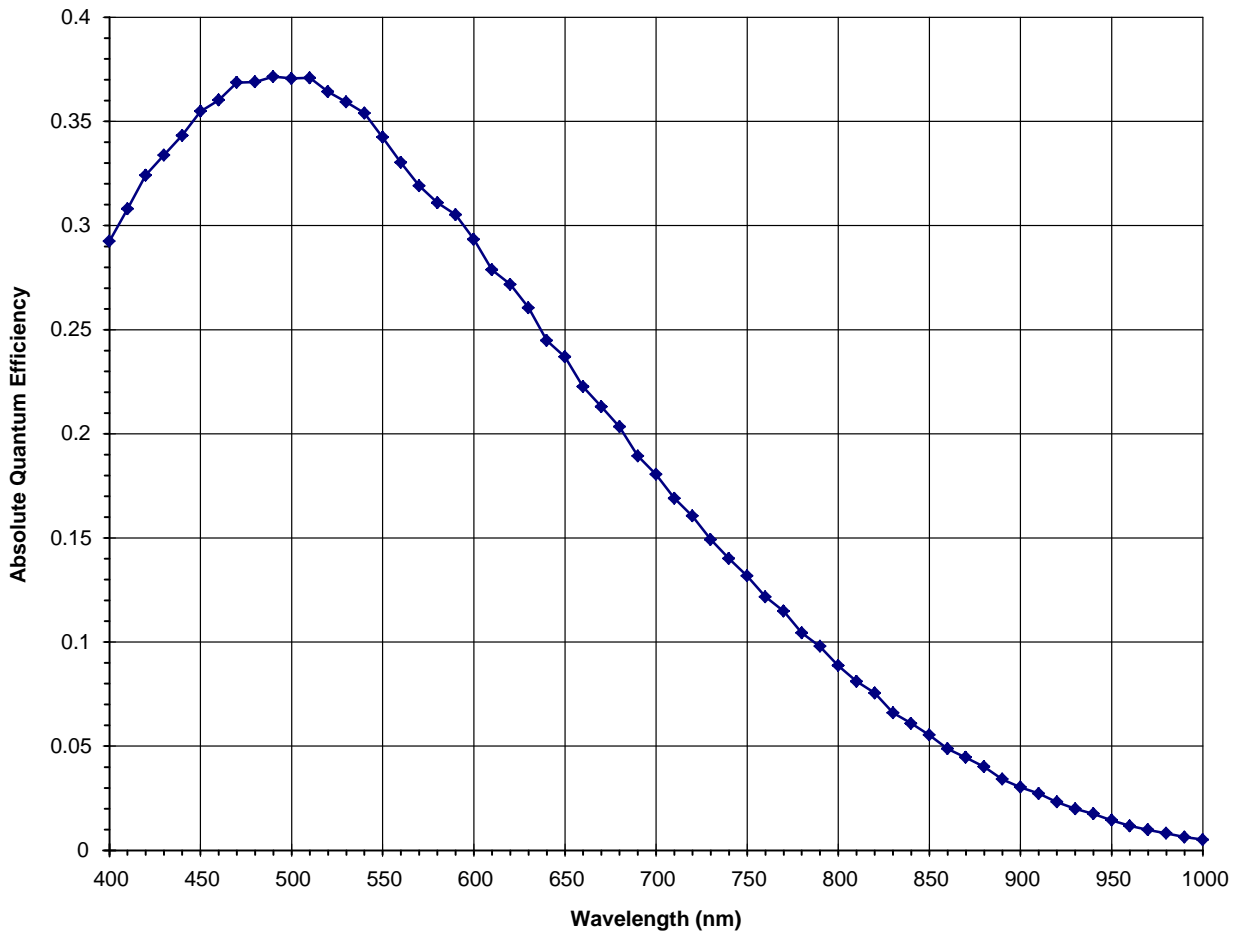
Defects are excluded from the following tests and the signal output is referenced to the dark pixels at the end of each line unless otherwise specified.

**Table 4. ELECTRO-OPTICAL IMAGE SPECIFICATIONS KAI-1010-ABA**

Parameter	Symbol	Min.	Nom.	Max.	Unit	Notes
Optical Fill Factor	FF	–	55.0	–	%	
Saturation Exposure	E <sub>SAT</sub>	–	0.037	–	μJ/cm <sup>2</sup>	1
Peak Quantum Efficiency	QE	–	37	–	%	2
Photoresponse Non-Uniformity	PRNU	–	10.0	–	% pp	3, 4
Photoresponse Non-Linearity	PRNL	–	5.0	–	%	

1. For λ = 550 nm wavelength, and V<sub>SAT</sub> = 350 mV.
2. Refer to typical values from Figure 6.
3. Under uniform illumination with output signal equal to 280 mV.
4. Units: % Peak to Peak. A 200 by 200 sub ROI is used.

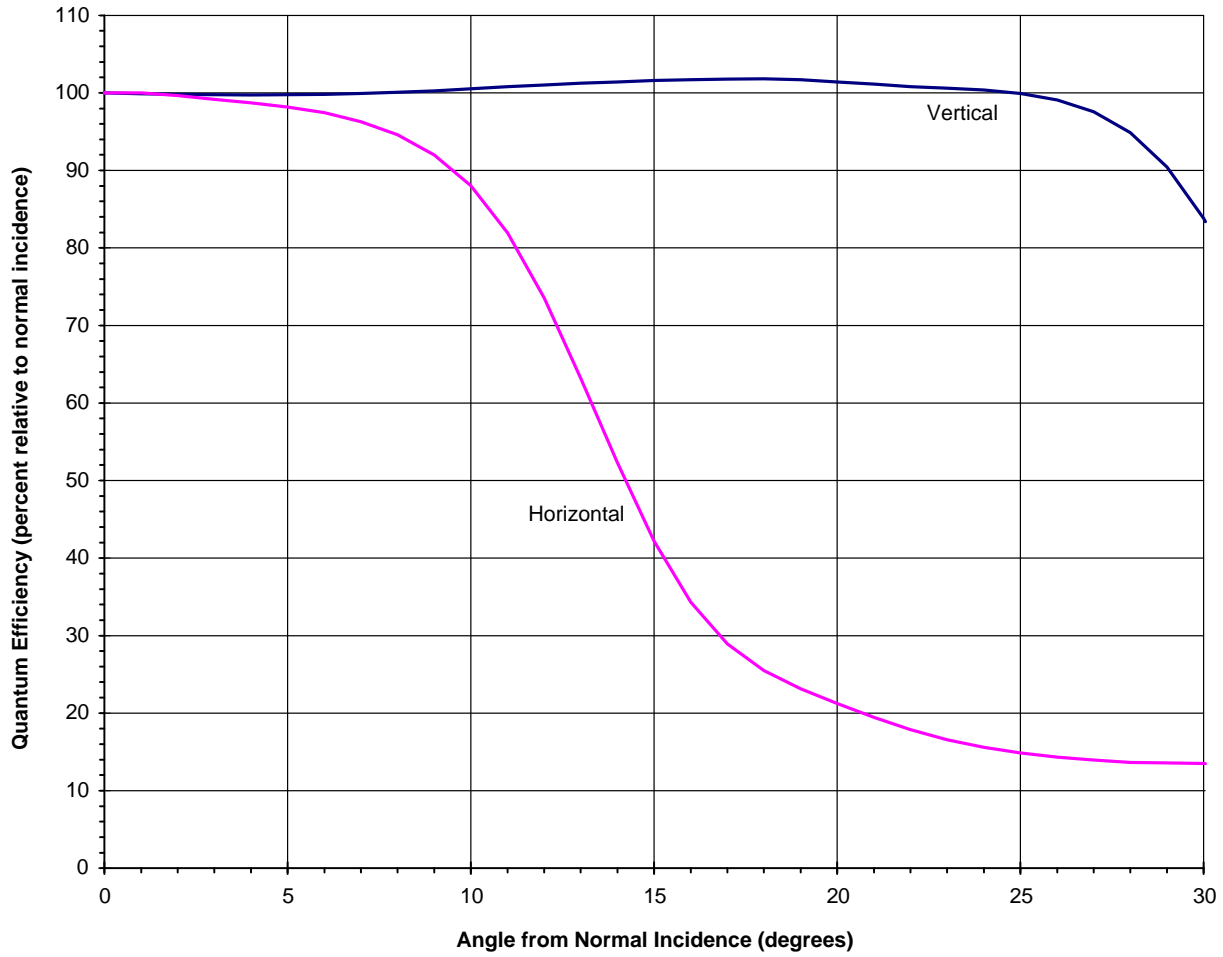
**Monochrome with Microlens Quantum Efficiency**



**Figure 6. Nominal KAI-1010-ABA Spectral Response**



Angular Quantum Efficiency



Notes:

1. For the curve marked "Horizontal", the incident light angle is varied in a plane parallel to the HCCD.
2. For the curve marked "Vertical", the incident light angle is varied in a plane parallel to the VCCD.

Figure 7. Angular Dependence of Quantum Efficiency

# KAI-1010

## Frame Rates

### KAI-1010 Frame Rate vs. Horizontal Clock Frequency

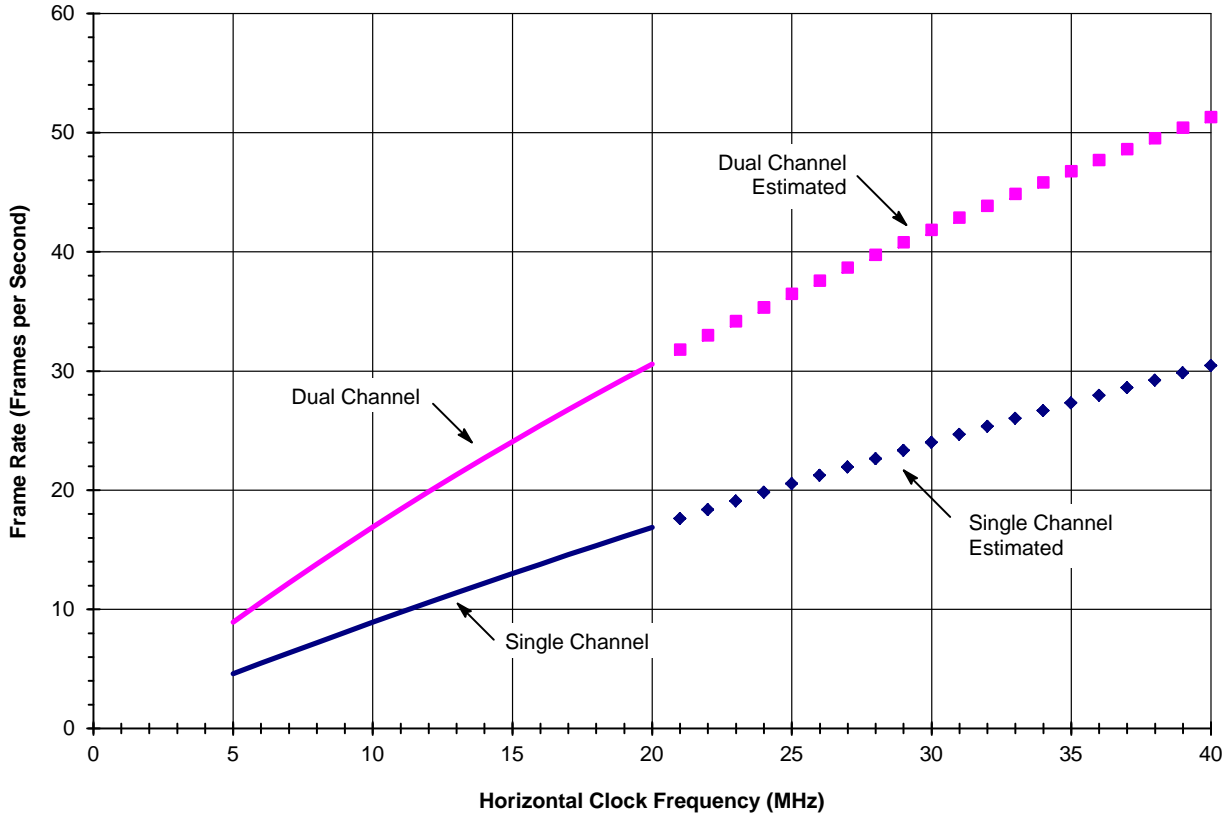


Figure 8. Frame Rate vs. Horizontal Clock Frequency

CCD Image Specifications

Table 5. CCD IMAGE SPECIFICATIONS

Parameter	Symbol	Min.	Nom.	Max.	Unit	Notes
Output Saturation Voltage	$V_{SAT}$	-	350	-	mV	1, 2, 8
Dark Current	$I_D$	-	-	0.5	nA	
Dark Current Doubling Temp	DCDT	7	8	10	°C	
Charge Transfer Efficiency	CTE	-	0.99999	-		2, 3
Horizontal CCD Frequency	$f_H$	-	-	40	MHz	4
Image Lag	$I_L$	-	-	100	$e^-$	5
Blooming Margin	$X_{AB}$	-	-	100		6, 8
Vertical Smear	Smr	-	0.01	-	%	7

1.  $V_{SAT}$  is the green pixel mean value at saturation as measured at the output of the device with  $X_{AB} = 1$ .  $V_{SAT}$  can be varied by adjusting  $V_{SUB}$ .
2. Measured at sensor output.
3. With stray output load capacitance of  $C_L = 10$  pF between the output and AC ground.
4. Using maximum CCD frequency and/or minimum CCD transfer times may compromise performance.
5. This is the first field decay lag measured by strobe illuminating the device at  $(H_{SAT}, V_{SAT})$ , and by then measuring the subsequent frame's average pixel output in the dark.
6.  $X_{AB}$  represents the increase above the saturation-irradiance level ( $H_{SAT}$ ) that the device can be exposed to before blooming of the vertical shift register will occur. It should also be noted that  $V_{OUT}$  rises above  $V_{SAT}$  for irradiance levels above  $H_{SAT}$ , as shown in Figure 9.
7. Measured under 10% (~ 100 lines) image height illumination with white light source and without electronic shutter operation and below  $V_{SAT}$ .
8. It should be noted that there is tradeoff between  $X_{AB}$  and  $V_{SAT}$ .

Output Amplifier @  $V_{DD} = 15$  V,  $V_{SS} = 0.0$  V

Table 6. OUTPUT AMPLIFIER IMAGE SPECIFICATIONS

Parameter	Symbol	Min.	Nom.	Max.	Unit	Notes
Output DC Offset	$V_{ODC}$	-	7	-	V	1, 2
Power Dissipation	$P_D$	-	225	-	mW	3
Output Amplifier Bandwidth	$f_{-3dB}$	-	140	-	MHz	1, 4
Off-Chip Load	$C_L$	-	-	10	pF	

1. Measured at sensor output with constant current load of  $I_{OUT} = 5$  mA per output.
2. Measured with  $V_{RD} = 9$  V during the floating-diffusion reset interval, ( $\phi_R$  high), at the sensor output terminals.
3. Both channels.
4. With stray output load capacitance of  $C_L = 10$  pF between the output and AC ground.

General

Table 7. GENERAL IMAGE SPECIFICATIONS

Parameter	Symbol	Min.	Nom.	Max.	Unit	Notes
Total Sensor Noise	$V_{N-TOTAL}$	-	0.5	-	mV rms	1
Dynamic Range	DR	-	7	60	dB	2

1. Includes amplifier noise and dark current shot noise at data rates of 10 MHz. The number is based on the full bandwidth of the amplifier. It can be reduced when a low pass filter is used.
2. Uses  $20\text{LOG}(V_{SAT} / V_{N-TOTAL})$  where  $V_{SAT}$  refers to the output saturation signal.

# KAI-1010

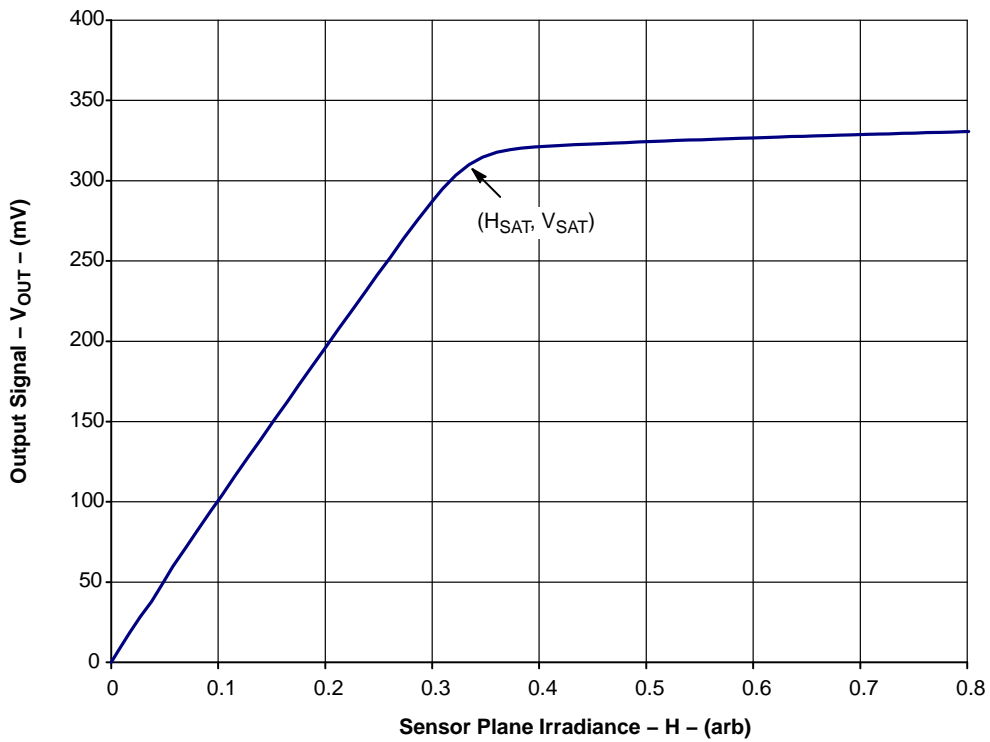
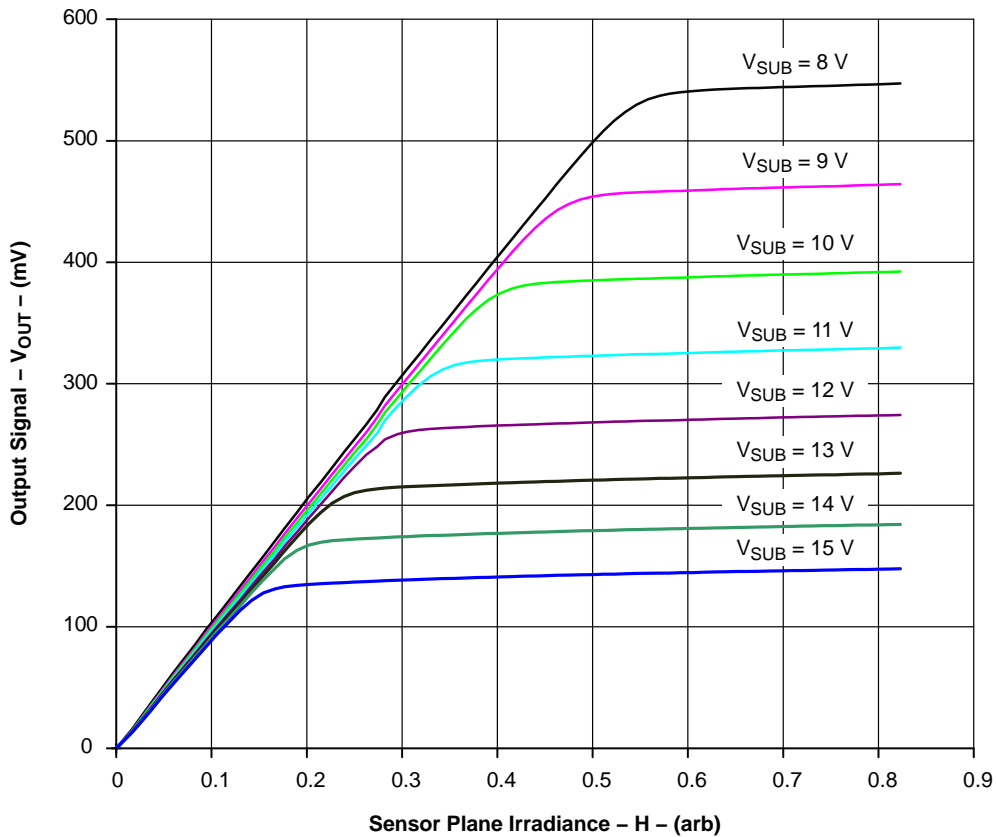


Figure 9. Typical KAI-1010-ABA Photoresponse



Notes:

1. As V<sub>SUB</sub> is decreased, V<sub>SAT</sub> increases and anti-blooming protection decreases.
2. As V<sub>SUB</sub> is increased, V<sub>SAT</sub> decreases and anti-blooming protection increases.

Figure 10. Example of V<sub>SAT</sub> vs. V<sub>SUB</sub>

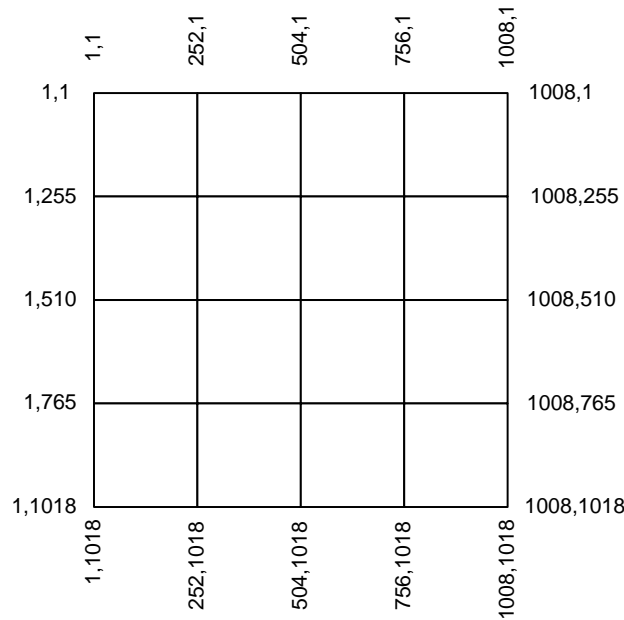
**DEFECT DEFINITIONS**

All values are derived under normal operating conditions at 40°C operating temperature.

**Table 8. DEFECT DEFINITIONS**

Defect Type	Defect Definition	Number Allowed	Notes
Defective Pixel	Under uniform illumination with mean pixel output at 80% of $V_{SAT}$ , a defective pixel deviates by more than 15% from the mean value of all pixels in its section.	12	1
Bright Defect	Under dark field conditions, a bright defect deviates more than 15 mV from the mean value of all pixels in its section.	5	1
Cluster Defect	Two or more vertically or horizontally adjacent defective pixels.	0	

1. Sections are 252 (H) × 255 (V) pixel groups, which divide the imager into sixteen equal areas as shown below.



**Figure 11.**

**Table 9.**

Test Conditions	Value
Junction Temperature	( $T_J$ ) = 40°C
Integration Time	( $t_{INT}$ ) = 70 ms
Readout Rate	( $t_{READOUT}$ ) = 70 ms

OPERATION

Table 10. ABSOLUTE MAXIMUM RATINGS

Rating	Description	Min.	Max.	Unit	Notes
Temperature (@ 10% ±5%RH)	Operation Without Damage	-50	+70	°C	5, 6
Voltage (Between Pins)	SUB-WELL	0	+40	V	1, 7
	VRD, VDD, OG & VSS – WELL	0	+15	V	2
	IDHA,B & VOUTA,B – WELL	0	+15	V	2
	φV1 – φV2	-12	+20	V	2
	φH1A, φH1B – φH2	-12	+15	V	2
	φH1A, φH1B, φH2, FDG – φV2	-12	+15	V	2
	φH2 – OG & VSS	-12	+15	V	2
	φR – SUB	-20	0	V	1, 2, 4
	All Clocks – WELL	-12	+15	V	2
Current	Output Bias Current (I <sub>OUT</sub> )	-	10	mA	3

Stresses exceeding those listed in the Maximum Ratings table may damage the device. If any of these limits are exceeded, device functionality should not be assumed, damage may occur and reliability may be affected.

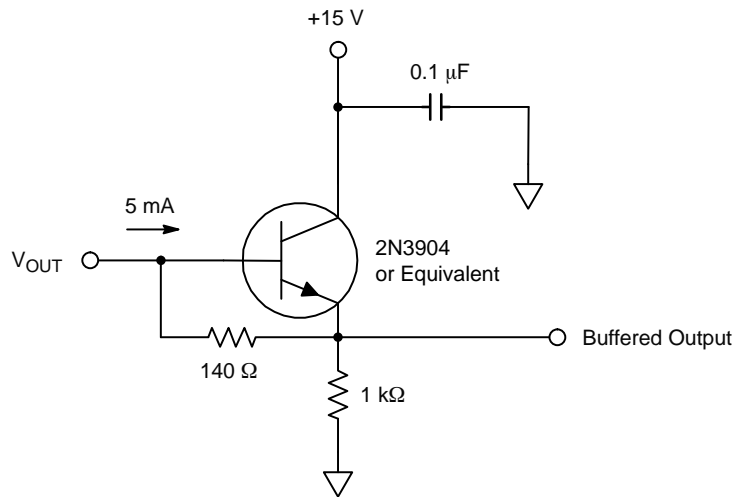
- Under normal operating conditions the substrate voltage should be above +7 V, but may be pulsed to 40 V for electronic shuttering.
- Care must be taken in handling so as not to create static discharge which may permanently damage the device.
- Per Output. I<sub>OUT</sub> affects the band-width of the outputs.
- φR should never be more positive than V<sub>SUB</sub>.
- The tolerance on all relative humidity values is provided due to limitations in measurement instrument accuracy.
- The image sensor shall continue to function but not necessarily meet the specifications of this document while operating at the specified conditions.
- Refer to Application Note *Using Interline CCD Image Sensors in High Intensity Visible Lighting Conditions*.

Table 11. DC OPERATING CONDITIONS

Description	Symbol	Min.	Nom.	Max.	Unit	Pin Impedance (Note 6)	Notes
Reset Drain	V <sub>RD</sub>	8.5	9	9.5	V	5 pF, > 1.2 MΩ	
Reset Drain Current	I <sub>RD</sub>	-	0.2	-	mA		
Output Amplifier Return & OG	V <sub>SS</sub>	-	0	-	V	30 pF, > 1.2 MΩ	
Output Amplifier Return Current	I <sub>SS</sub>	-	5	-	mA		
Output Amplifier Supply	V <sub>DD</sub>	12	15.0	15.0	V	30 pF, > 1.2 MΩ	
Output Bias Current	I <sub>OUT</sub>	-	5	10	mA		5
P-Well	WELL	-	0.0	-	V	Common	1
Ground	GND	-	0.0	-	V		1
Fast Dump Gate	FDG	-7.0	-6.0	-5.5	V	20 pF, > 1.2 MΩ	2
Substrate	SUB	7	V <sub>SUB</sub>	15	V	1 nF, > 1.2 MΩ	3, 8
Input Diode A, B Horizontal CCD	IDHA, IDHB	12.0	15.0	15.0	V	5 pF, > 1.2 MΩ	4

- The WELL and GND pins should be connected to P-Well ground.
- The voltage level specified will disable the fast dump feature.
- This pin may be pulsed to V<sub>ES</sub> = 40 V for electronic shuttering
- Electrical injection test pins. Connect to VDD power supply.
- Per output. Note also that I<sub>OUT</sub> affects the bandwidth of the outputs.
- Pins shown with impedances greater than 1.2 MΩ are expected resistances. These pins are only verified to 1.2 MΩ.
- The operating levels are for room temperature operation. Operation at other temperatures may or may not require adjustments of these voltages.
- Refer to Application Note *Using Interline CCD Image Sensors in High Intensity Visible Lighting Conditions*.

## KAI-1010



**Figure 12. Recommended Output Structure Load Diagram**

**Table 12. AC CLOCK LEVEL CONDITIONS**

Description	Symbol	Level	Min.	Nom.	Max.	Unit	Pin Impedance (Note 2)
Vertical CCD Clock	φV1	Low	-10.0	-9.5	-9.0	V	25 nF, > 1.2 MΩ
		Mid	0.0	0.2	0.4		
		High	8.5	9.0	9.5		
Vertical CCD Clock	φV2	Low	-10.0	-9.5	-9.0	V	25 nF, > 1.2 MΩ
		High	0.0	0.2	0.4		
φ1 Horizontal CCD A Clock	φH1A	Low	-7.5	-7.0	-6.5	V	100 pF, > 1.2 MΩ
		High	2.5	3.0	3.5		
φ1 Horizontal CCD B Clock (Single Register Mode) (Note 4)	φH1B	Low	-7.5	-7.0	-6.5	V	100 pF, > 1.2 MΩ
		High	2.5	3.0	3.5		
φ1 Horizontal CCD B Clock (Dual Register Mode) (Note 4)	φH1B	Low	-7.5	-7.0	-6.5	V	100 pF, > 1.2 MΩ
		High	2.5	3.0	3.5		
φ2 Horizontal CCD Clock	φH2	Low	-7.5	-7.0	-6.5	V	125 pF, > 1.2 MΩ
		High	2.5	3.0	3.5		
Reset Clock	φR	Low	-6.5	-6.0	-5.5	V	5 pF, > 1.2 MΩ
		High	-0.5	0.0	0.5		
Fast Dump Gate Clock (Note 3)	φFDG	Low	-7.0	-6.0	-5.5	V	20 pF, > 1.2 MΩ
		High	4.5	5.0	5.5		

1. The AC and DC operating levels are for room temperature operation. Operation at other temperatures may or may not require adjustments of these voltages.
2. Pins shown with impedances greater than 1.2 MΩ are expected resistances. These pins are only verified to 1.2 MΩ.
3. When not used, refer to DC operating condition.
4. For single register mode, set φH1B to -7.0 V at all times rather than clocking it.
5. This device is suitable for a wide range of applications requiring a variety of different operating conditions. Consult ON Semiconductor in those situations in which operating conditions meet or exceed minimum or maximum levels.

Table 13. AC TIMING REQUIREMENTS FOR 20 MHZ OPERATION

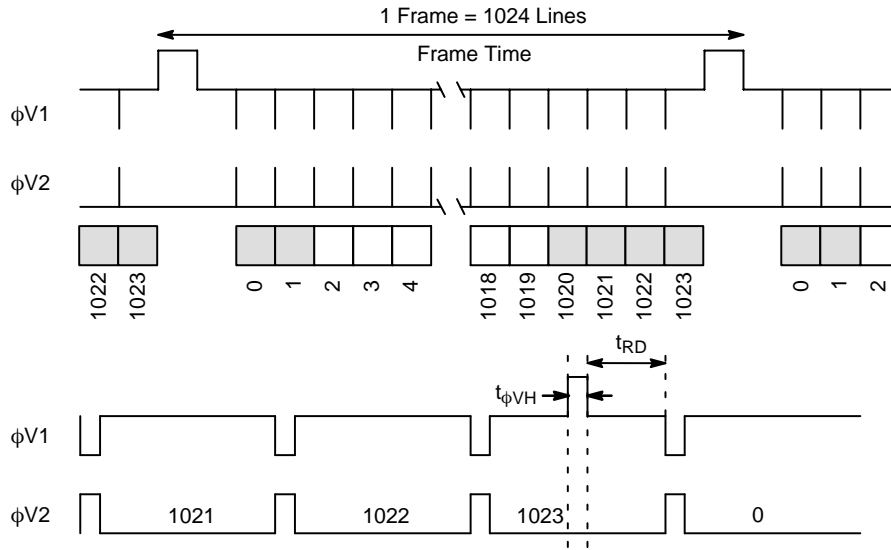
Description	Symbol	Min.	Nom.	Max.	Unit	Figure
Reset Pulse Width	$t_{\phi R}$	–	10	–	ns	Figure 12
Electronic Shutter Pulse Width	$t_{ES}$	10	25	–	$\mu s$	Figure 13
Integration Time (Note 1)	$t_{INT}$	0.1		–	ms	Figure 13
Photodiode to VCCD Transfer Pulse Width (Note 2)	$t_{\phi VH}$	4	5	–	$\mu s$	Figure 9
Clamp Delay	$t_{CD}$	–	15	–	ns	Figure 12
Clamp Pulse Width	$t_{CP}$	–	15	–	ns	Figure 12
Sample Delay	$t_{SD}$	–	35	–	ns	Figure 12
Sample Pulse Width	$t_{SP}$	–	15	–	ns	Figure 12
Vertical Readout Delay	$t_{RD}$	10	–	–	$\mu s$	Figure 9
$\phi V1, \phi V2$ Pulse Width	$t_{\phi V}$	3	–	–	$\mu s$	Figure 10
Clock Frequency $\phi H1A, \phi H1B, \phi H2$	$t_{\phi H}$	–	20	–	MHz	Figure 12
Line A to Line B Transfer Pulse Width	$t_{\phi AB}$	–	3	–	$\mu s$	Figure 15
Horizontal Delay	$t_{\phi HD}$	3	–	–	$\mu s$	Figure 10
Vertical Delay	$t_{\phi VD}$	25	–	–	ns	Figure 10
Horizontal Delay with Electronic Shutter	$t_{\phi HVES}$	1	–	–	$\mu s$	Figure 13

- Integration time varies with shutter speed. It is to be noted that smear increases when integration time decreases below readout time (frame time). Photodiode dark current increases when integration time increases, while CCD dark current increases with readout time (frame time).
- Anti-blooming function is off during photodiode to VCCD transfer.



**TIMING**

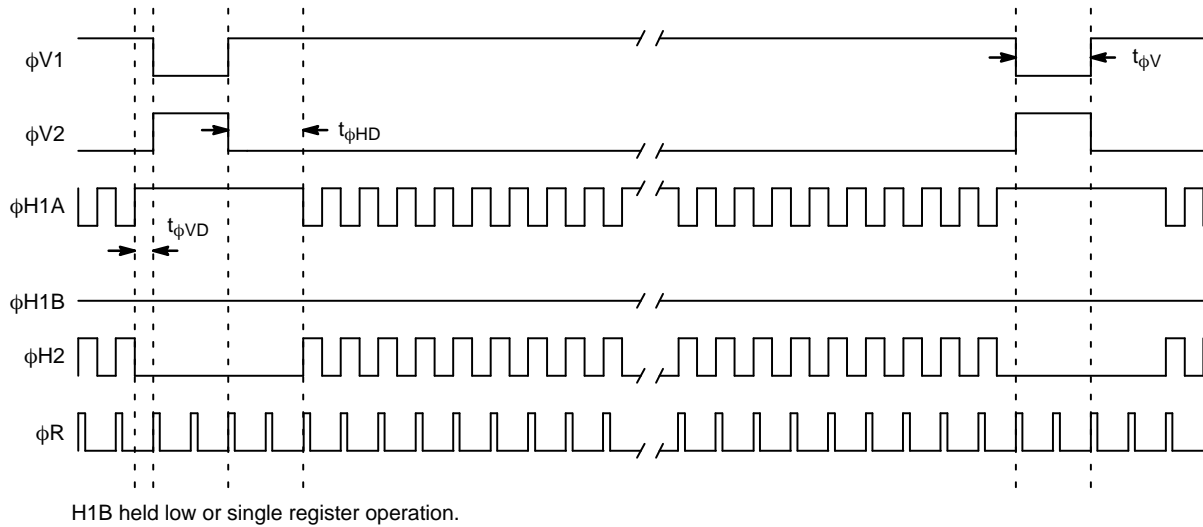
**Frame Timing – Single Register Readout**



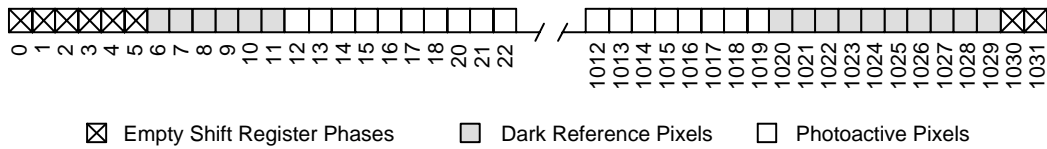
NOTE: When no electronic shutter is used, the integration time is equal to the frame time.

**Figure 13. Frame Timing – Single Register Readout**

**Line Timing – Single Register Readout**



**Line Content**



**Figure 14. Frame Timing – Single Register Readout**

Pixel Timing – Single Register Readout

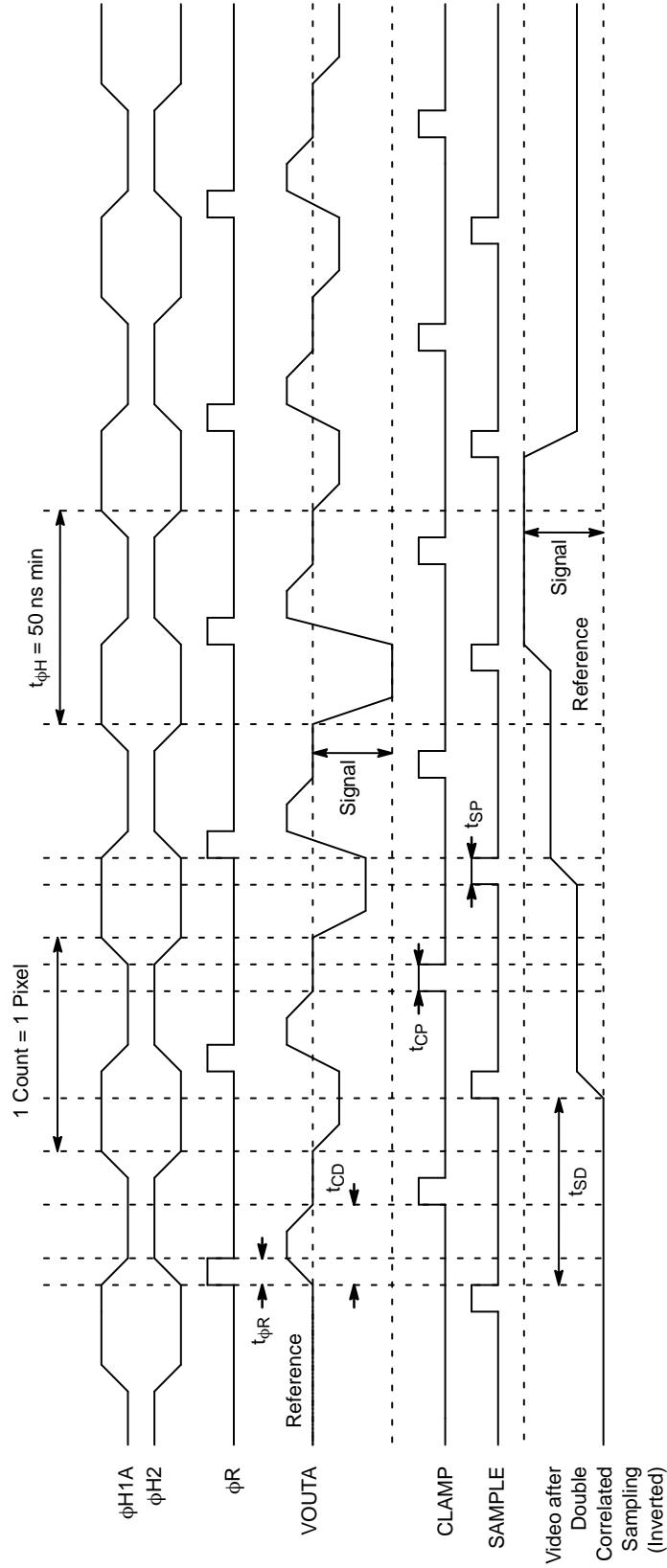
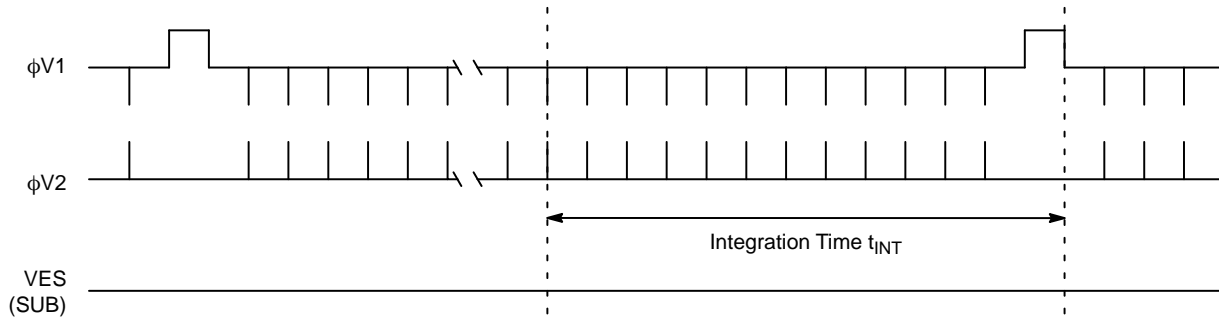


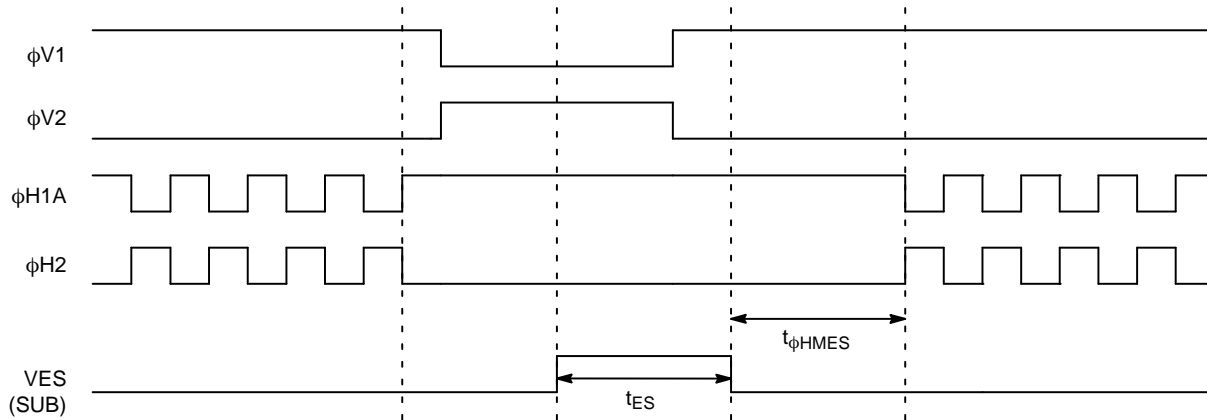
Figure 15. Pixel Timing – Single Resistor Readout

Electronic Shutter Timing – Single Register Readout

Electronic Shutter – Frame Timing



Electronic Shutter – Placement



Electronic Shutter – Operating Voltages

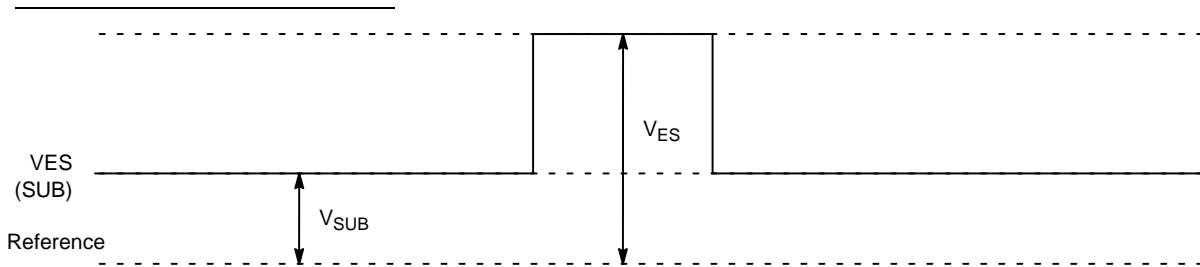
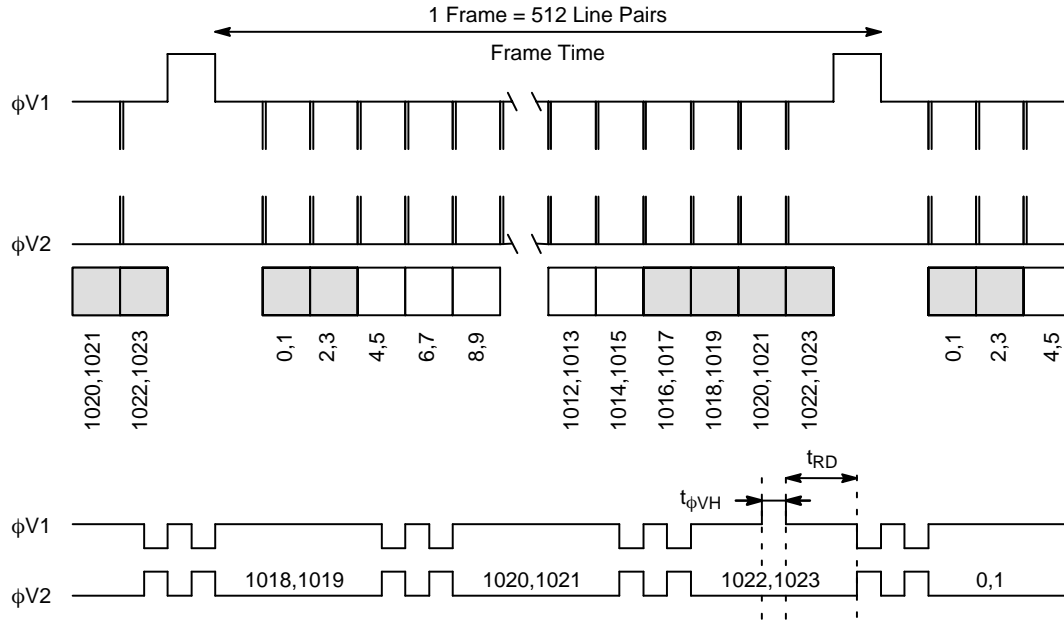


Figure 16. Electronic Shutter Timing – Single Register Readout

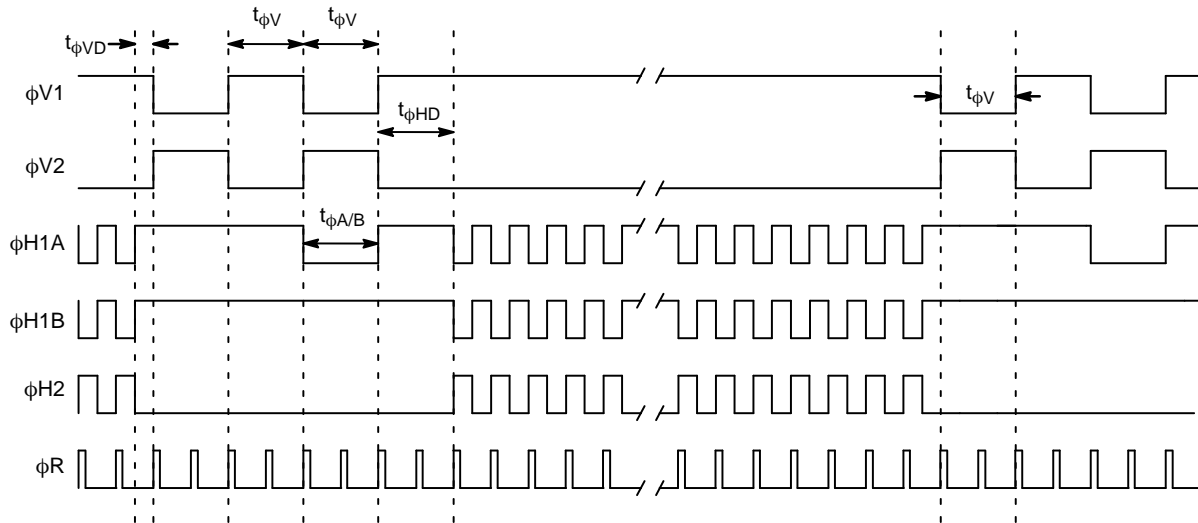
Frame Timing – Dual Register Readout



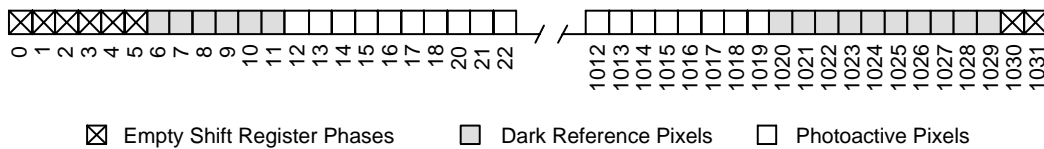
NOTE: When no electronic shutter is used, the integration time is equal to the frame time.

Figure 17. Frame Timing – Dual Resistor Readout

Line Timing – Dual Register Readout



Line Content



⊗ Empty Shift Register Phases    ■ Dark Reference Pixels    □ Photoactive Pixels

Figure 18. Line Timing – Dual Resistor Readout

Pixel Timing – Dual Register Readout

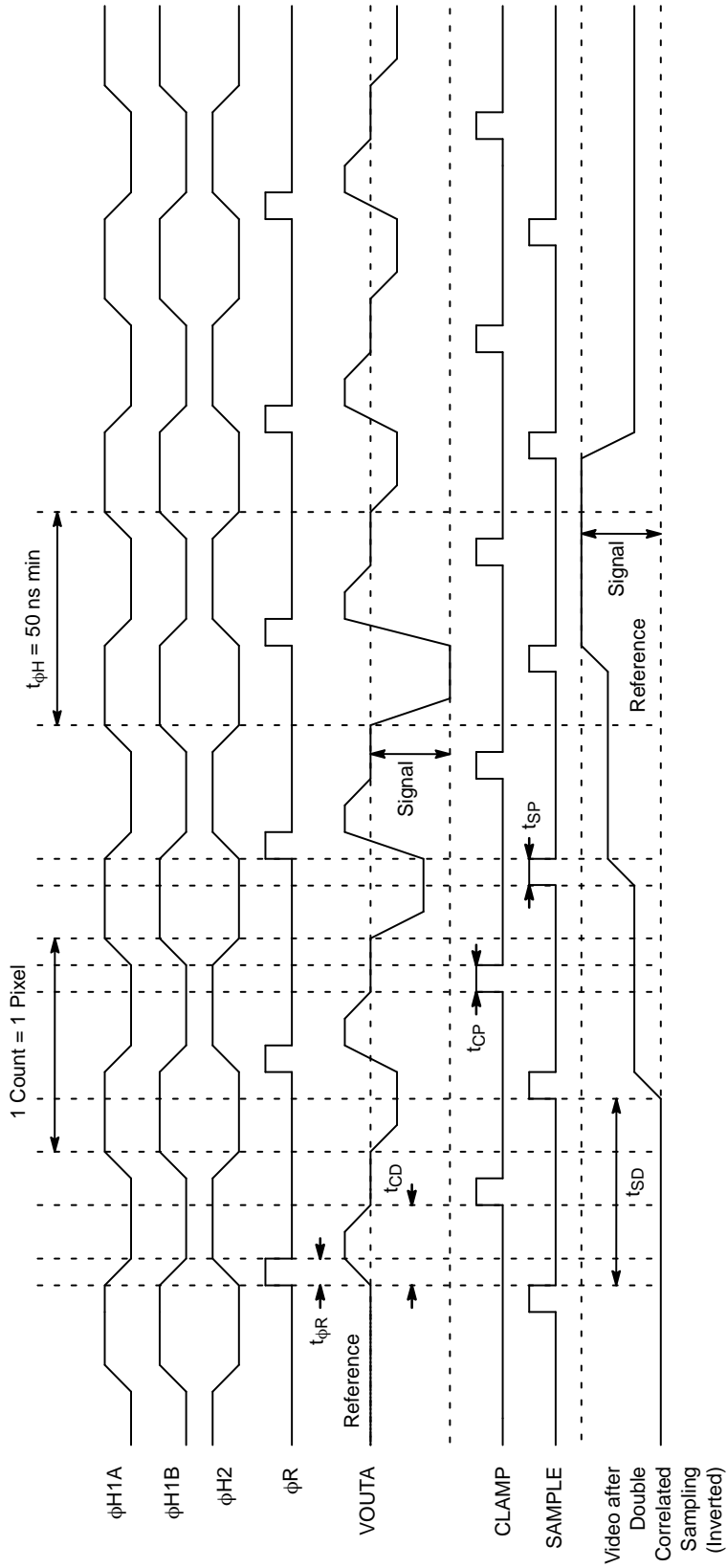


Figure 19. Pixel Timing – Dual Resistor Readout

Fast Dump Timing – Removing Four Lines

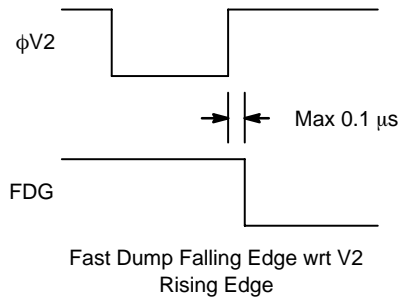
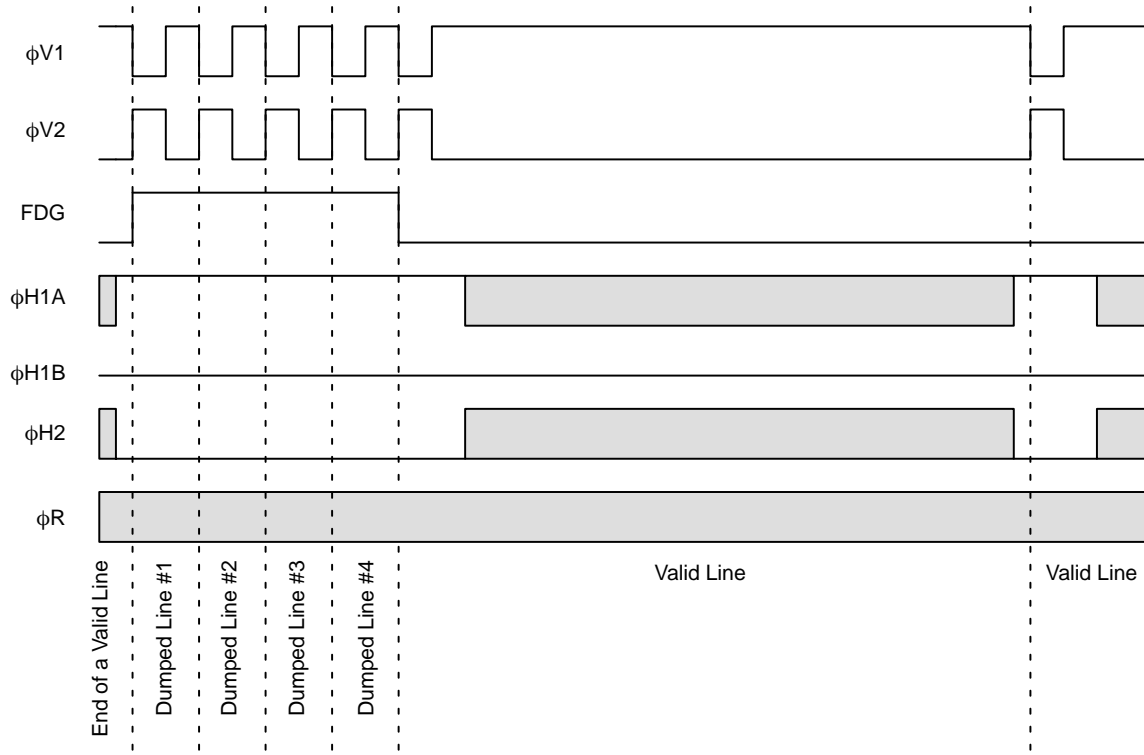


Figure 20. Fast Dump Timing – Removing Four Lines

Binning – Two to One Line Binning

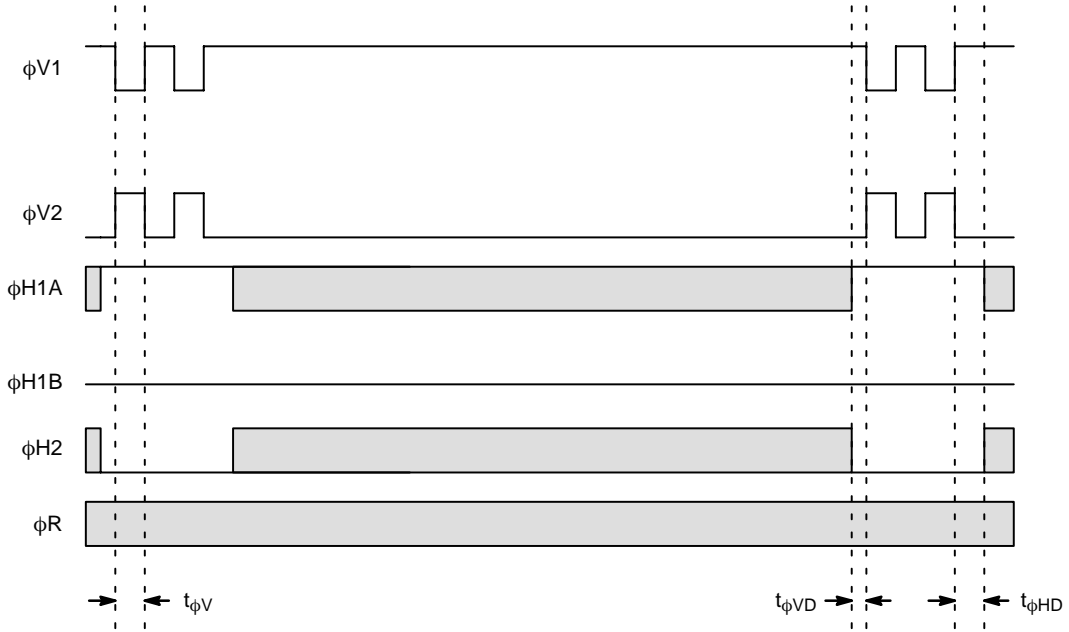


Figure 21. Binning – 2 to 1 Line Binning

Timing – Sample Video Waveform

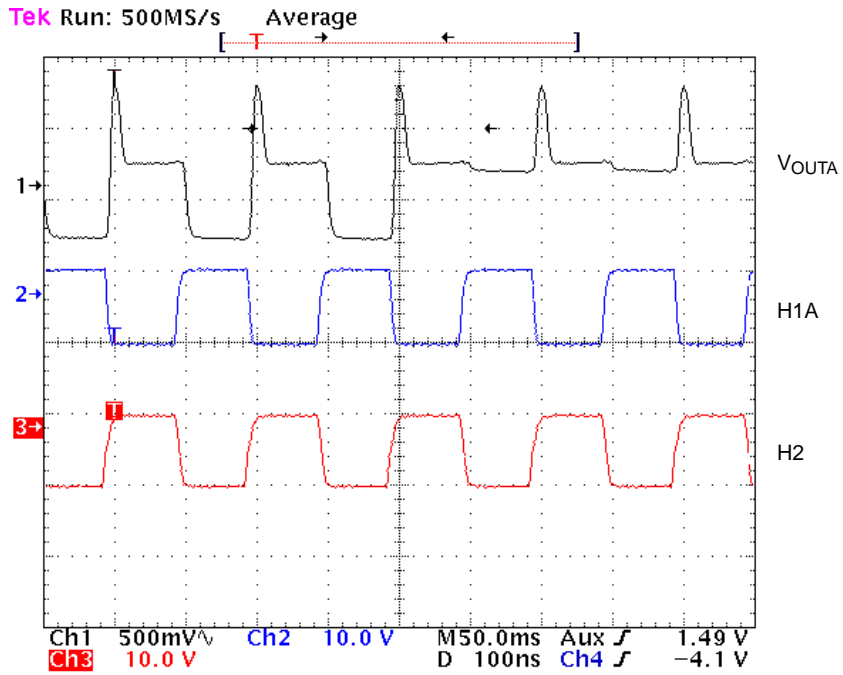


Figure 22. Sample Video Waveform at 5 MHz

## STORAGE AND HANDLING

Table 14. CLIMATIC REQUIREMENTS

	Description	Min.	Max.	Unit	Conditions	Notes
Operation to Specification	Temperature	-25	40	°C	@ 10% ±5% RH	1, 2
	Humidity	10	86	% RH	@ 36±2°C Temp.	1, 2
Storage	Temperature	-55	70	°C	@ 10% ±5% RH	2, 3
	Humidity	-	95	% RH	@ 49±2°C Temp.	2, 3

1. The image sensor shall meet the specifications of this document while operating at these conditions.
2. The tolerance on all relative humidity values is provided due to limitations in measurement instrument accuracy.
3. The image sensor shall meet the specifications of this document after storage for 15 days at the specified condition.

For information on ESD and cover glass care and cleanliness, please download the *Image Sensor Handling and Best Practices* Application Note (AN52561/D) from [www.onsemi.com](http://www.onsemi.com).

For information on environmental exposure, please download the *Using Interline CCD Image Sensors in High Intensity Lighting Conditions* Application Note (AND9183/D) from [www.onsemi.com](http://www.onsemi.com).

For information on soldering recommendations, please download the *Soldering and Mounting Techniques Reference Manual* (SOLDERRM/D) from [www.onsemi.com](http://www.onsemi.com).

For quality and reliability information, please download the *Quality & Reliability Handbook* (HBD851/D) from [www.onsemi.com](http://www.onsemi.com).

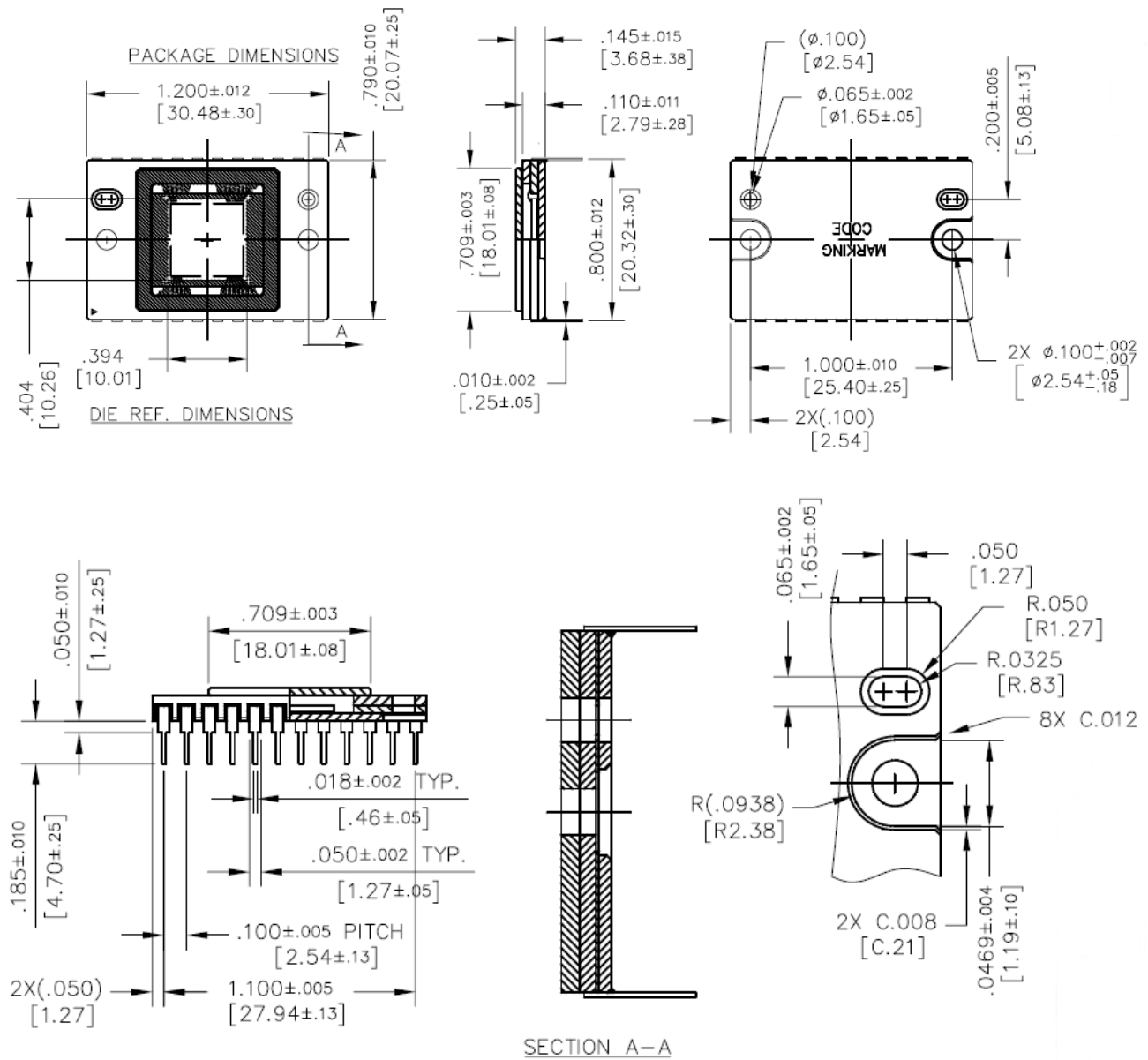
For information on device numbering and ordering codes, please download the *Device Nomenclature* technical note (TND310/D) from [www.onsemi.com](http://www.onsemi.com).

For information on Standard terms and Conditions of Sale, please download [Terms and Conditions](http://www.onsemi.com) from [www.onsemi.com](http://www.onsemi.com).



MECHANICAL INFORMATION

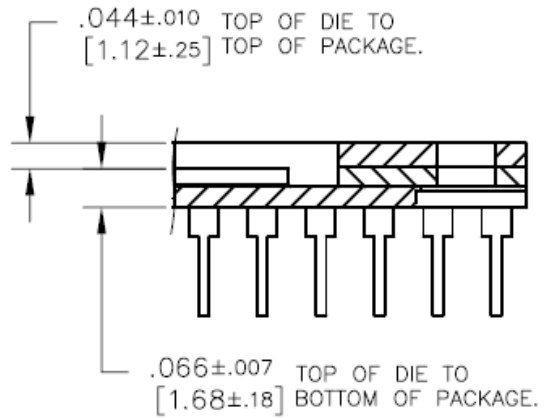
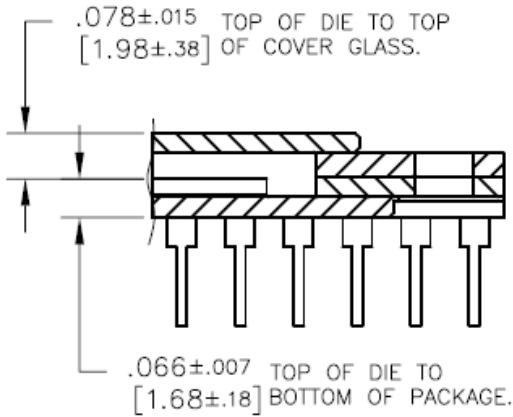
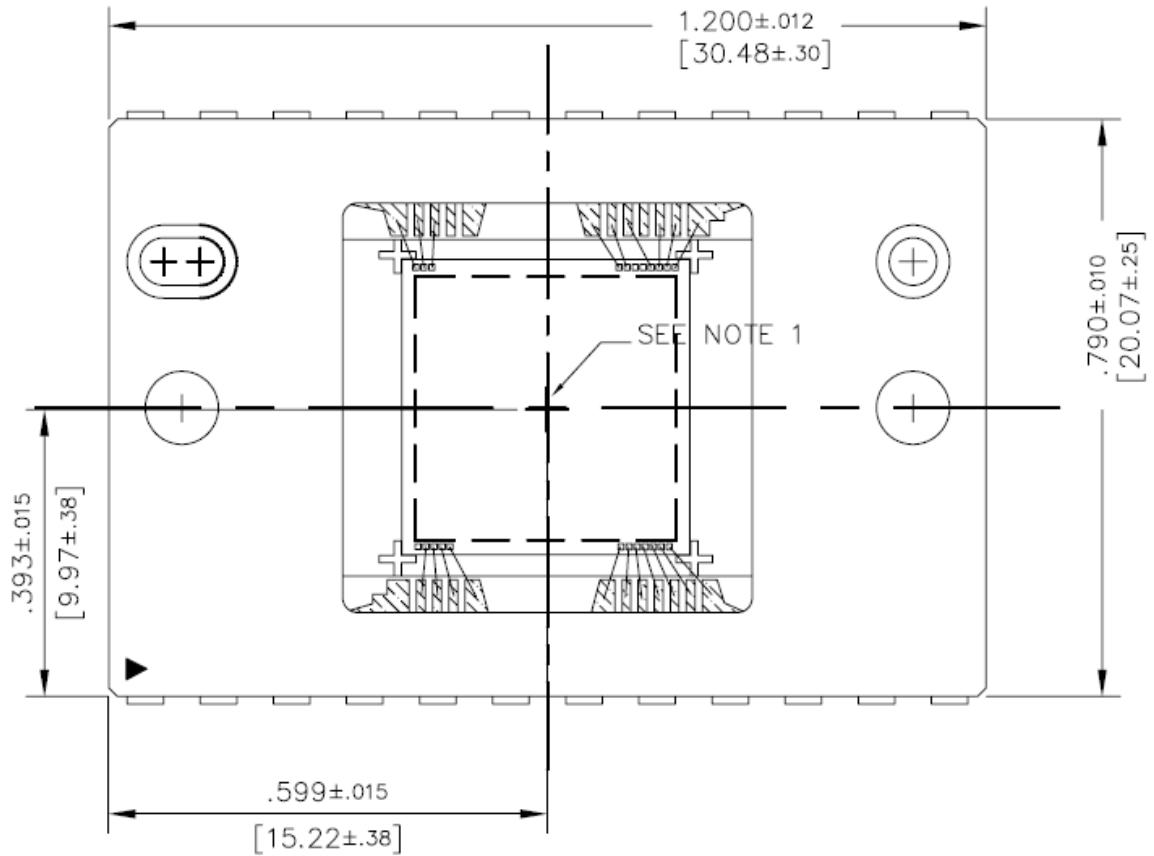
Completed Assembly



Note: Cover Glass is manually placed and visually aligned over die – location accuracy is not guaranteed.

Figure 23. Completed Assembly (1 of 2)

# KAI-1010



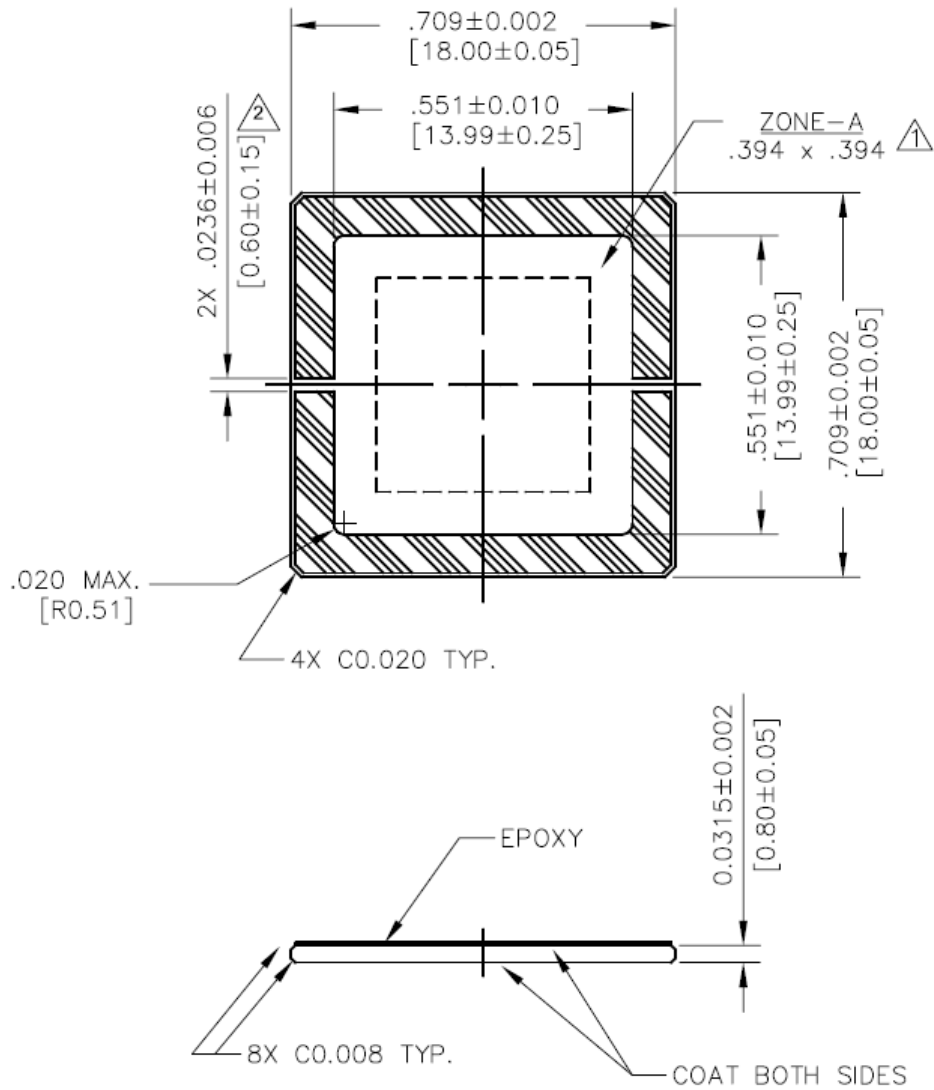
**Notes:**

1. Center of image area is offset from center of package by (-0.02, -0.06) mm nominal.
2. Die is aligned within ±2 degree of any package cavity edge.

**Figure 24. Completed Assembly (2 of 2)**

# KAI-1010


## Cover Glass



### Notes:

1. DUST/SCRATCH COUNT – 20 MICRON MAX. (ZONE-A)
2. EPOXY: NCO-110SZ  
THICKNESS: 0.002–0.007"
3. GLASS: SCHOTT D263 eco or equivalent
4. DOUBLE-SIDED AR COATING REFLECTANCE
  - a. 420–435 nm < 2.0 %
  - b. 435–630 nm < 0.8 %
  - c. 630–680 nm < 2.0 %

Figure 25. Glass Drawing

ON Semiconductor and the  are registered trademarks of Semiconductor Components Industries, LLC (SCILLC) or its subsidiaries in the United States and/or other countries. SCILLC owns the rights to a number of patents, trademarks, copyrights, trade secrets, and other intellectual property. A listing of SCILLC's product/patent coverage may be accessed at [www.onsemi.com/site/pdf/Patent-Marking.pdf](http://www.onsemi.com/site/pdf/Patent-Marking.pdf). SCILLC reserves the right to make changes without further notice to any products herein. SCILLC makes no warranty, representation or guarantee regarding the suitability of its products for any particular purpose, nor does SCILLC assume any liability arising out of the application or use of any product or circuit, and specifically disclaims any and all liability, including without limitation special, consequential or incidental damages. "Typical" parameters which may be provided in SCILLC data sheets and/or specifications can and do vary in different applications and actual performance may vary over time. All operating parameters, including "Typicals" must be validated for each customer application by customer's technical experts. SCILLC does not convey any license under its patent rights nor the rights of others. SCILLC products are not designed, intended, or authorized for use as components in systems intended for surgical implant into the body, or other applications intended to support or sustain life, or for any other application in which the failure of the SCILLC product could create a situation where personal injury or death may occur. Should Buyer purchase or use SCILLC products for any such unintended or unauthorized application, Buyer shall indemnify and hold SCILLC and its officers, employees, subsidiaries, affiliates, and distributors harmless against all claims, costs, damages, and expenses, and reasonable attorney fees arising out of, directly or indirectly, any claim of personal injury or death associated with such unintended or unauthorized use, even if such claim alleges that SCILLC was negligent regarding the design or manufacture of the part. SCILLC is an Equal Opportunity/Affirmative Action Employer. This literature is subject to all applicable copyright laws and is not for resale in any manner.

## PUBLICATION ORDERING INFORMATION

### LITERATURE FULFILLMENT:

Literature Distribution Center for ON Semiconductor  
P.O. Box 5163, Denver, Colorado 80217 USA  
**Phone:** 303-675-2175 or 800-344-3860 Toll Free USA/Canada  
**Fax:** 303-675-2176 or 800-344-3867 Toll Free USA/Canada  
**Email:** [orderlit@onsemi.com](mailto:orderlit@onsemi.com)

**N. American Technical Support:** 800-282-9855 Toll Free  
USA/Canada  
**Europe, Middle East and Africa Technical Support:**  
Phone: 421 33 790 2910  
**Japan Customer Focus Center**  
Phone: 81-3-5817-1050

**ON Semiconductor Website:** [www.onsemi.com](http://www.onsemi.com)  
**Order Literature:** <http://www.onsemi.com/orderlit>  
For additional information, please contact your local  
Sales Representative