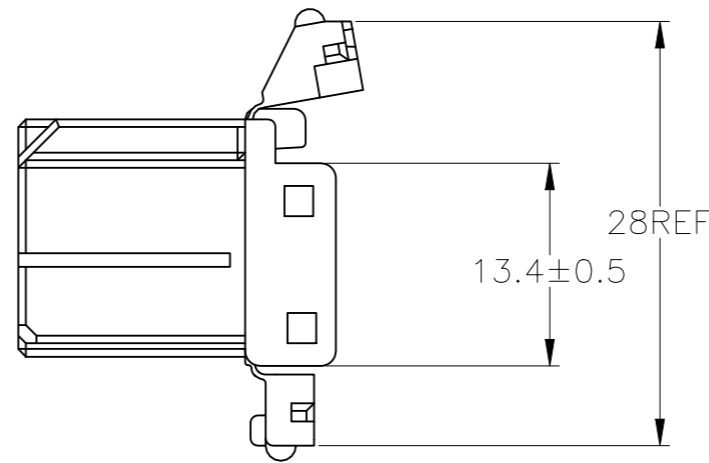
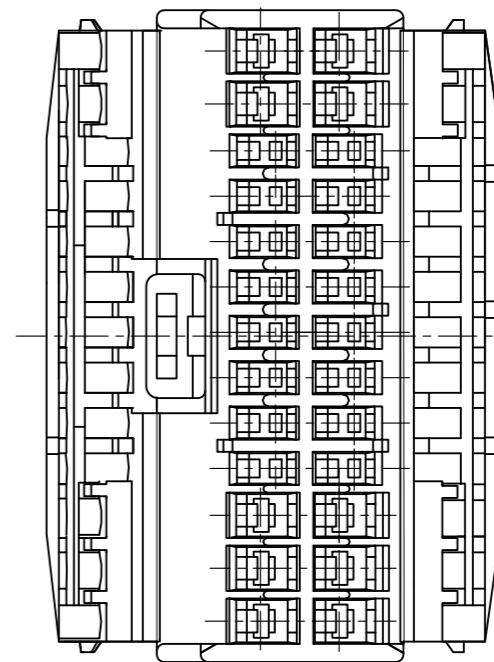
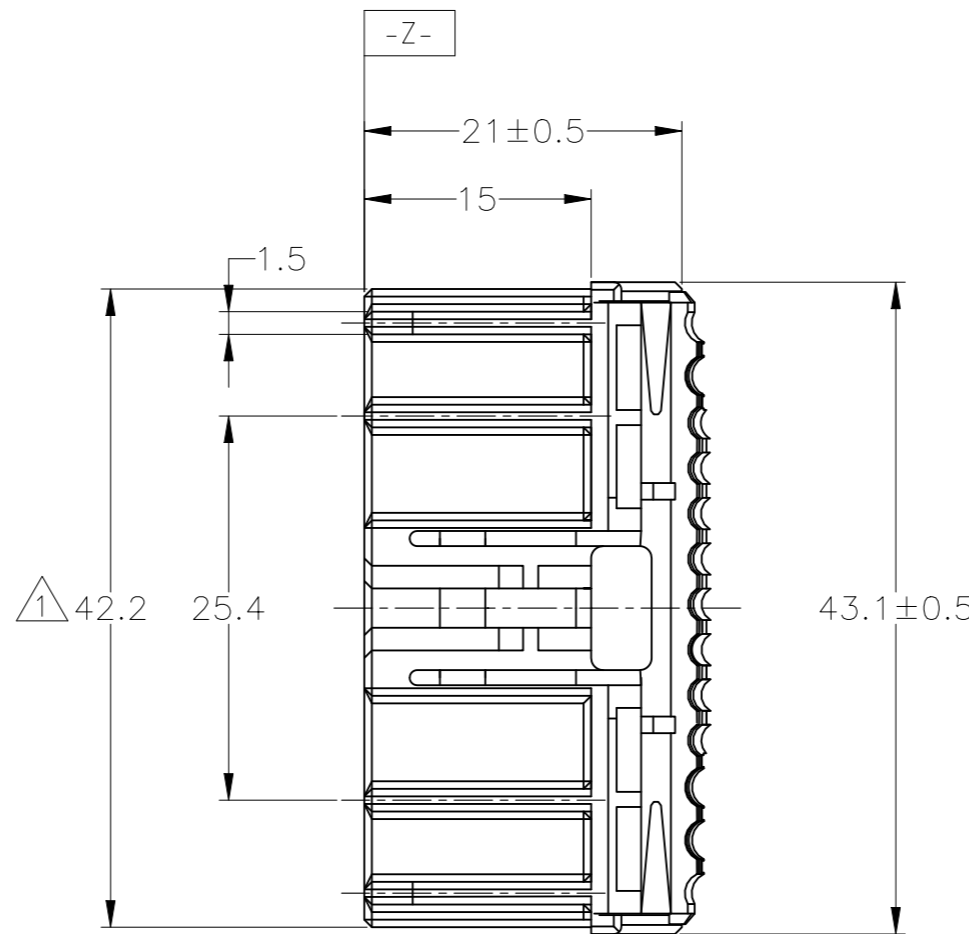
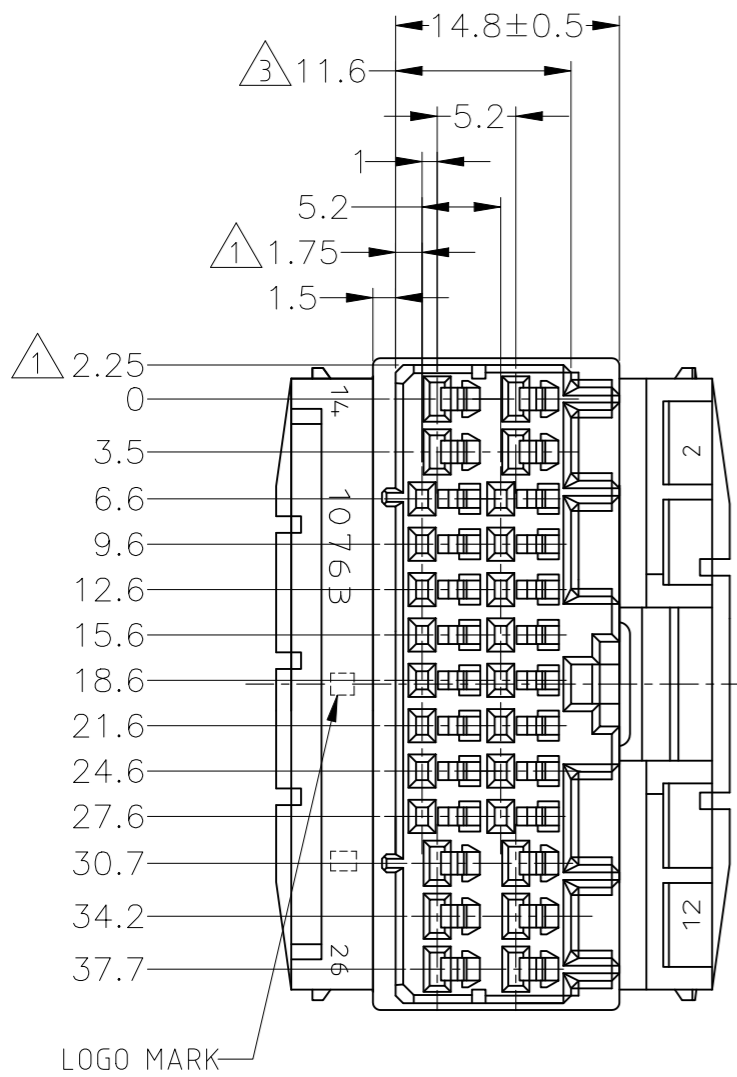


REVISIONS

P	LTR	DESCRIPTION	DATE	DWN	APVD
E4		REVISED PER ECR-22-153250	04NOV2022	RK	MT



- 1. MUST BE KEPT BETWEEN -Z- AND 2mm.
- 2. THE MATING CAP HOUSING PART NUMBER ; 174518
- 3. APPLIED CONTACT PART NUMBER ; 173631, 173716, 173630, 175094
- 4. APPLICABLE PRODUCT SPECIFICATION NUMBER ; 108-5280

- 1. -Z- 面より 2mmの範囲で測定
- 2. 嵌合相手ハウジング型番 ; 174518
- 3. 内装するリセプタクルコンタクト型番 ; 173631, 173716, 173630, 175094
- 4. 適用製品規格番号 ; 108-5280

	COLOR	PART NUMBER
	YELLOW	174516-7
OBSOLETE	LIGHT GRAY	6-174516-6
	GRAY	174516-6
OBSOLETE	BLACK	174516-2
	WHITE	174516-1

THIS DRAWING IS A CONTROLLED DOCUMENT.		DWN T.SHINOHARA 09JUL10	STE TE Connectivity	
DIMENSIONS: mm		CHK K.BETSUI 09JUL10		
TOLERANCES UNLESS OTHERWISE SPECIFIED:		APVD K.BETSUI 09JUL10	NAME	
0 PLC ± -		PRODUCT SPEC		HYBRID I/O CONNECTOR 26POSITION PLUG HOUSING
1 PLC ± -		APPLICATION SPEC		
2 PLC ± -		SIZE		RESTRICTED TO
3 PLC ± -		CAGE CODE		
4 PLC ± -		DRAWING NO		-
ANGLES ± -		A3 00779 C-174516		
FINISH		WEIGHT		SCALE
PBT		-		2:1
GENERAL TOLERANCE		CUSTOMER DRAWING		SHEET
0 < * < 10 : ±0.2				1 OF 1
10 < * < 30 : ±0.25				REV
30 < * < 100 : ±0.3				E4
ANGLES : ±3°				